



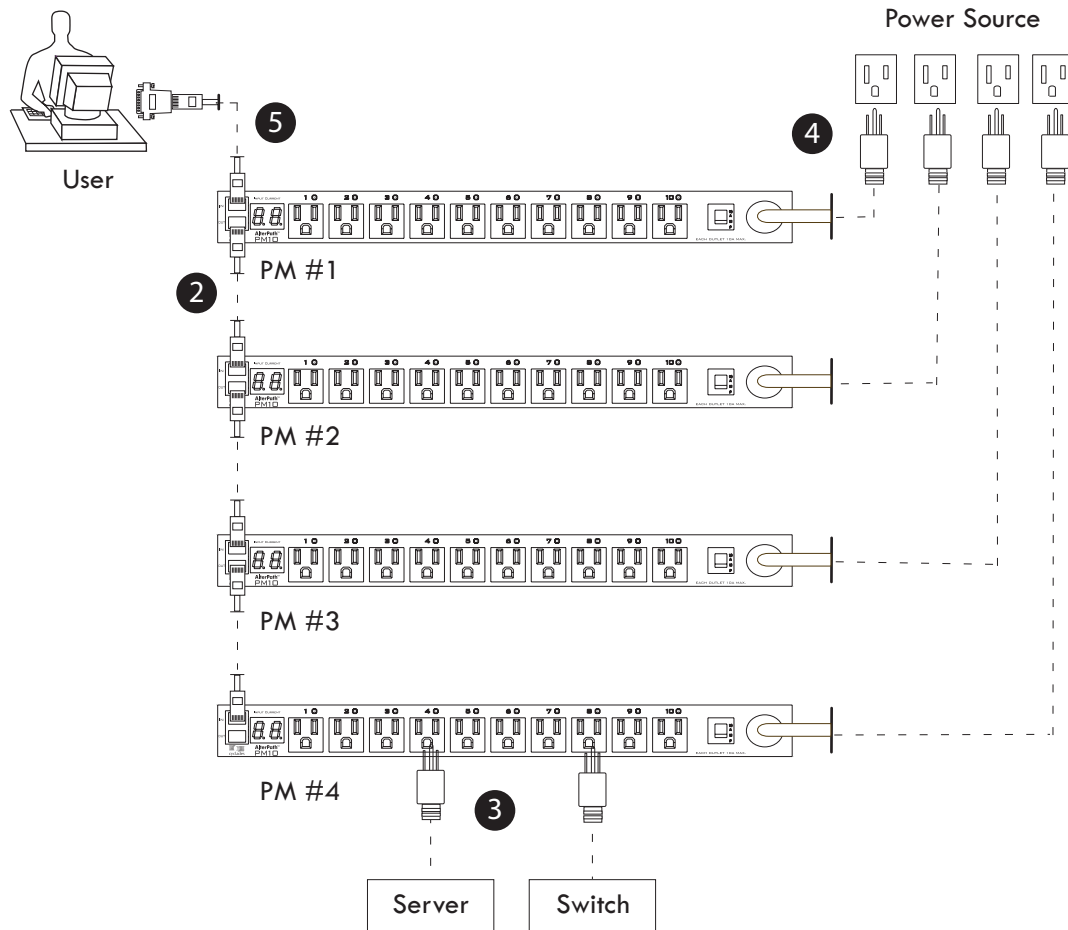
AlterPath™ PM QuickStart Guide

This guide provides a summary of basic AlterPath™ PM installation tasks for installers who already know how to install and configure Cyclades™ AlterPath products. This guide offers procedures for a stand-alone configuration. If you are integrating your PM with a Cyclades KVM or console management device, please see the related installation instructions for that product.

The following table lists basic tasks in the order they should be performed. For more-detailed procedures, go to the listed page numbers.

1	Set Up the AlterPath PM	Page 2
2	(Optional) Daisy Chain PMs	Page 2
3	Plug Devices Into AlterPath PM Outlets	Page 3
4	Power On the AlterPath PM	Page 3
5	Make a Direct Connection for Console Access	Page 3

The following figure shows the basic connections with numbers from the previous table.



1. Set Up the AlterPath PM

You can mount the AlterPath PM on a rack or wall or place it on a desktop or other flat surface. Two brackets are supplied with six Phillips screws for attaching the brackets to the AlterPath PM for mounting.

- If you are not mounting the AlterPath PM, place the AlterPath PM on a desk or table.
- If you are mounting the AlterPath PM, obtain a Phillips screwdriver and appropriate nuts and bolts before starting the following procedure.

Note: When mounting an AlterPath PM 0U model to a wall stud, securely mount it by using a #10 (4.8 mm or 0.19 in or 3/16 in) or larger screw or use a drywall fastener rated min. 25 lb (11.34 kg).

▼ **To Mount the AlterPath PM8i, PM10, or PM10i**

1. Locate the appropriate sets of holes on the PM.
2. Connect the two supplied brackets to the AlterPath PM, connecting one bracket to each side of the box.
3. For each bracket, insert a screw through each of the three holes on the bracket into the appropriate holes at either end of the AlterPath PM.
4. Use a Phillips screwdriver to tighten the screws.
5. Use the mounting hardware recommended for your rack to mount the AlterPath PM on a rack.

Note: The RJ-45 cable included in the AlterPath PM package is minimum flame rated VW-1 or FT-1 and has a maximum length of 10 feet (3 meters).

2. Daisy Chain PMs

You can manage a maximum of 128 outlets from a single work station by connecting slave PMs to the master PM device. See “Make a Direct Connection for Console Access” on page 3 for more details.

▼ **To Daisy Chain a PM**

This procedure assumes that a master PM is already connected to a work station or to a Cyclades console or KVM device.

1. Connect one end of an RJ-45 cable to the Out port of the main AlterPath PM, which is connected to a work station or to a Cyclades console or KVM device (master).
2. Connect the other end of the RJ-45 cable to the In port of the secondary AlterPath PM (slave).
3. To connect another PM to the slave, connect one end of an RJ-45 cable to the Out port of the last PM in the chain.
4. Repeat Step 3 until you have connected the desired number of PMs.

You can control up to 128 power outlets in any combination of PM models.

3. Plug Devices Into AlterPath PM Outlets

In order to control power on a device, it must be plugged into at least one of the AlterPath PM's power outlets.

▼ *To Plug Devices Into AlterPath PM Outlets*

1. Connect a device's power cable to one of the AlterPath PM's outlets.
2. Repeat step one until all of the AlterPath PM's power outlets are used.

4. Power On the AlterPath PM

Power on the AlterPath PM in order to begin managing power of its connected devices.

▼ *To Power On the AlterPath PM*

- Plug the power cable into an adjacent AC power source.

Important! The AlterPath PM must be powered by a receptacle with adequate circuit protection.

5. Make a Direct Connection for Console Access

The system administrator must specify basic settings on the AlterPath PM before users can connect to and manage the unit and the connected devices. Collect the following equipment prior to installing and configuring the AlterPath PM in standalone configuration:

- One or more RJ-45 to RJ-45 straight-through cables.
- An RJ-45 to DB-9F straight-through adapter.
- A PC running a terminal emulation program such as HyperTerminal, Kermit, or Minicom.

Note: You can also connect the PM to a serial port on a Cyclades management product such as the AlterPath ACS, Cyclades-TS, AlterPath KVM, or AlterPath OnSite. See the appropriate documentation for installation and configuration instructions.

▼ *To Access the Console*

Perform the following steps to connect a computer to the console port of the AlterPath PM. This procedure assumes that you know how to use a terminal emulation program.

1. Connect an RJ-45 serial cable to the console port on the AlterPath PM.
2. Connect the other end of the RJ-45 serial cable to an RJ-45 to DB-9F adapter shipped with the PM.
3. Connect the adapter to a DB-9 serial port on a computer.

You may need to use a USB serial adapter in order to connect to the computer.

4. Using a terminal emulation program installed on a computer, start a session with the following console port settings:

Serial Speed: 9600 bps	Stop Bits: 1	Parity: None
Data Length: 8 bits	Flow Control: None	ANSI emulation

▼ To Log Into the AlterPath PM Through the Console

1. From your terminal emulation application, log into the console port as “admin.”

```
AlterPath PM
Copyright (c) 2002-2005
Cyclades Corporation
V 1.7.1 Oct 4, 2005
[PM]: IPDU: 1
[PM]: OUT: 8
Username:
```

As shown in the previous screen, the default password is “pm8.” If the password has been changed from the default, use the new password.

2. If this is a first-time installation, see “Initial Configuration Using the Command Prompt” in the *AlterPath PM Installation, Administration, and User’s Guide* for instructions on changing the default password, adding users, and assigning outlets to users.
3. See “Command Line Interface” in the *AlterPath PM Installation, Administration, and User’s Guide* for procedures on logging in and using the console commands to manage power on connected devices.

For More Information

For more details about installing the AlterPath PM and for additional procedures, see Chapter 2, “Installation” in the *AlterPath PM Installation, Administration, and User’s Guide* at the following locations:

- On the documentation CD shipped with the product
- At <http://cyclades.com/support/downloads.php>, under: “AlterPath PM>Manuals.”

Contact Cyclades Corporation if you want to order a printed version of the manual.