



Quick Installation Guide

Cyclades® PM

Intelligent Power Distribution Unit

The following instructions will help you connect your Cyclades PM IPDU.

Should you require further assistance, consult your installer/administrator/user guide.

1 Mounting the PM IPDU (PM8i, PM10 or PM10i models)

To rack mount or wall mount the PM IPDU, locate the appropriate sets of holes on the unit. To rack mount a unit, connect one bracket to each side of the box using the supplied Phillips head screws.

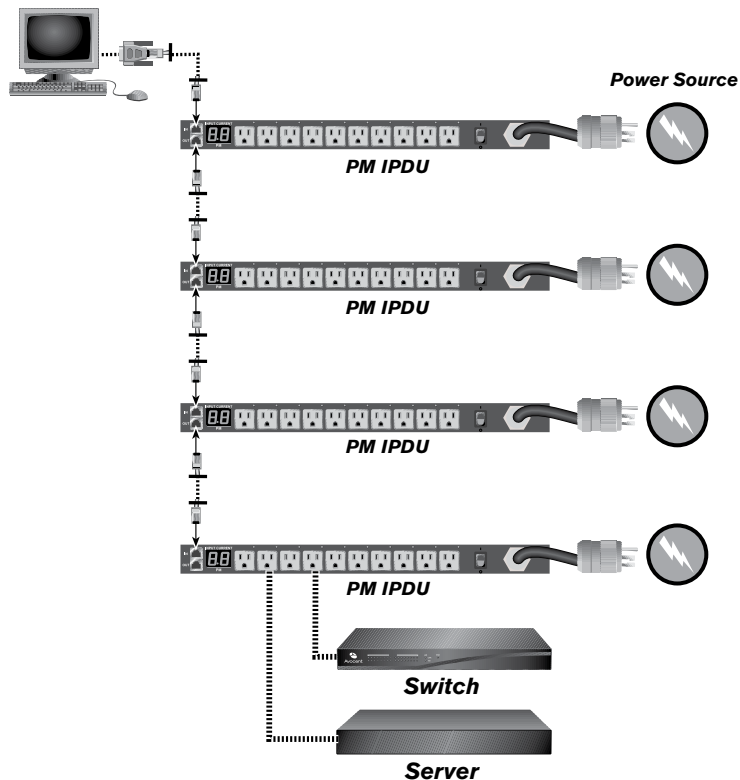
Use the mounting hardware recommended for your rack to mount the PM IPDU. The RJ-45 cable included in the PM IPDU package is minimum flame rated VW-1 or FT-1 and has a maximum length of 10 feet (3 meters).

NOTE: To wall mount a PM IPDU (zero U model), securely mount it by using a #10 (4.8 mm or 0.19 in or 3/16 in) or larger screw, or use a drywall fastener rated min. 25 lb (11.34 kg).

2 Daisy-chaining PM IPDUs

You can manage a maximum of 128 outlets from a single workstation by connecting slave PM IPDUs to the master PM IPDU. Connect one end of an RJ-45 cable to the Out port of the main Cyclades PM IPDU, which is connected to a workstation, a Cyclades console port or KVM switch AUX port (master). Connect the other end of the RJ-45 cable to the In port of the secondary PM IPDU (slave). To attach another

To connect the PM IPDU



PM IPDU to the chain, connect its In port to the last Out port in the chain. Repeat these steps until you have connected the desired number of PM IPDUs.

NOTE: Power the PM IPDU in order to begin managing power of its connected devices. The PM IPDU must be powered by a receptacle with adequate circuit protection.

3 Accessing the console

Connect an RJ-45 cable to the console port on the PM IPDU. Connect the other end of the RJ-45 cable to an RJ-45 to DB-9F adaptor shipped with the PM IPDU.

Connect the adaptor to a DB-9 serial port on a workstation. You may need a USB serial adaptor in order to connect to the server.



Quick Installation Guide

Cyclades® PM

Intelligent Power Distribution Unit

The following instructions will help you connect your Cyclades PM IPDU.

Should you require further assistance, consult your installer/administrator/user guide.

To connect the PM IPDU (continued)

Using a terminal emulation program, start a session with the following console port settings: 9600 bps serial speed, 1 stop bit, no parity and no flow control, 8 bit data length and ANSI emulation.

Collect the following equipment prior to installing and configuring the PM IPDU in a standalone configuration: one or more RJ-45 to RJ-45 straight-through cables, an RJ-45 to DB-9F straight-through adaptor and a workstation running a terminal emulation program such as HyperTerminal, Kermit or Minicom. You can also connect the PM IPDU to a serial port on other Cyclades management products. See the appropriate documentation for installation and configuration instructions.

NOTE: *The system administrator must specify basic settings on the PM IPDU before users can connect to and manage the unit and the connected devices*

4 Logging in to the PM IPDU through the console

From your terminal emulation application, log into the console port as "admin." The default password is "pm8."

If this is a first-time installation, see the Cyclades PM IPDU Installer/Administrator/User Guide for instructions on changing the default password, adding users, assigning outlets to users, logging in and using the console commands to manage power on connected devices.

For additional information

For more instructions on installation and set up, visit www.cyclades.com/support/downloads.php or refer to the Cyclades PM IPDU Installer/Administrator/User Guide.