

AlterPath™ ACS

Command Reference Guide

Software Version 2.6.0



cyclades

Cyclades Corporation

3541 Gateway Boulevard

Fremont, CA 94538 USA

1.888.CYCLADES (292.5233)

1.510.771.6100

1.510.771.6200 (fax)

<http://www.cyclades.com>

Release Date: November 2005

Part Number: PAC0193

© 2005 Cyclades Corporation, all rights reserved

Information in this document is subject to change without notice.

The following are registered or registration-pending trademarks of Cyclades Corporation in the United States and other countries: Cyclades and AlterPath.

All trademarks, trade names, logos and service marks referenced herein, even when not specifically marked as such, belong to their respective companies and are not to be considered unprotected by law.

Table of Contents

Preface	1
Purpose	1
Audience and User Levels	1
New Users	1
Power Users	2
How to use the CLI (Command Line Interface)	3
Modes of Operation	3
Keywords meanings	3
Interactive Mode	4
CLI arguments and its meanings	5
Other important features of the CLI	5
List of CLI Keywords	6
How to use this Guide	9
Conventions and Symbols	10
Fonts	10
Hypertext Links	10
Glossary Entries	10
Quick Steps	10
Parameter Syntax	10
Brackets and Hyphens (dashes)	11
Ellipses	11
Pipes	11
Greater-than and Less-than signs	11
Spacing and Separators	11
Cautionary and Instructional Information	12
Networking Settings	16
Performing Basic Network Configuration Using the wiz Command	16
Log Into ACS Through the Console	16
Password	16
Security Advisory	16
Use the wiz Command to Configure Network Parameters	17
Selecting A Security Profile	20
To Select a Security Profile	20
CLI Mode	20
Enabling Serial Ports	22

To Enable a Serial Port [vi method]	22
---	----

Chapter 2 - Device Access **23**

Accessing Serial Ports	24
Default Configuration Parameters	24
Opening and closing a Telnet session to a serial port	24
Opening and closing an SSH session to a serial port	25
Accessing Serial Ports using “ts_menu”	25
Calling ts_menu without arguments	25
Calling ts_menu with arguments	26
How to close the session from ts_menu (from the console of your unit) . . .	27
How to close the session from ts_menu (from a Telnet/SSH session to your unit)	
.....	27
CLI Mode - ts_menu	27
Data Buffering	29
Ramdisks	29
Linear vs. Circular Buffering	29
How to Configure	30
VI mode - Parameters Involved and Passed Values	30
CLI Method - Data Buffering	32
Menu Shell	34
How to use	34
How to configure	34
Setting up the Menu Shell	35
Assigning ports to the Menu Shell	35
CLI Method - Terminal Profile Menu	36
Clustering using Ethernet Interface	38
How to Configure Clustering	38
VI mode	38
Clustering using NAT (Enhanced)	43
New Parameters and Commands	43
Examples:	44
How it works	44
General Configuration	46
Master box Configuration	47
Slave-1 box Configuration	48
Slave-2 box Configuration	49
Slave-3 box Configuration	49
Example of starting CAS session commands	50

CLI Method - Clustering	50
-----------------------------------	----

Chapter 3 - Authentication 53

Device Authentication.	53
How to configure	53
VI mode - Parameters involved and passed values	53
CLI Method - Authentication	57
To configure the authentication type for the serial ports.	57
To configure user access to the serial ports	57
To configure authentication type for device console access.	58
To configure an authentication server.	59
To activating the configuration.	59
To save the configuration.	59
To exit the CLI mode.	59
Access Control via Radius Attribute NAS-Port-id.	60
NIS Client	60
NIS Client Configuration	61
How to Test the Configuration	61
nsswitch.conf file format.	62
Examples	63
Kerberos Authentication	64
Kerberos Server Authentication with Tickets support	64
How Kerberos Works	64
Configuring ACS to use Kerberos Tickets authentication	64
ACS Configuration	65
Test the configuration:	66
Kerberos Server Authentication	67
LDAP Authentication	71
Configuring an LDAP server on Linux	71
Configuring the AlterPath ACS side	73
Active Directory	73
What needs to be set in the <i>/etc/ldap.conf</i>	74
Enabling TACACS+ Authorization for Serial Ports.	74
Configuring Authorization with a TACACS+ Server [CLI]	74
Configuring Authorization with a TACACS+ Server [vi]	75
Setting User Authorization Permissions on the TACACS+ Server [vi]	75
Group Authorization	77
Configuring a TACACS+ authentication server.	77
Configuring the authorization on ACS to access the serial ports [CLI]	78

Configuring a RADIUS authentication server	78
Configuring the authorization on ACS to access the serial ports [CLI]	79
Configuring an LDAP authentication server.	79
Linux-PAM	81
The Linux-PAM Configuration Directory	82
Configuration File Syntax	83
Module Path	85
Arguments.	88
Shadow Passwords	90
Certificate for HTTP Security.	91
Procedure.	91
User Configured Digital Certificate	93
X.509 Certificate on SSH	94
To configure X.509 certificate for SSH	94
vi Mode	94
CLI Mode.	95
Script Mode	95
To connect to ACS using SSH X.509 certificate	96
To connect to ACS's serial ports using SSH X.509 certificate.	96

Chapter 4 - Network 99

Introduction	99
Basic Network Settings	99
Hostname.	99
VI mode	99
CLI Method - Hostname	100
IP address and Netmask	100
VI mode	100
CLI Method - IP address	102
DHCP Client	103
VI mode	103
Files related to DHCP:	105
CLI Method - DHCP	105
Routes and Default Gateway.	107
VI mode	107
CLI Method - Routes	108
DNS Server and Domain Name	110

VI mode	110
CLI Method - DNS and Domain Name	110
Bonding	112
VI mode	112
CLI Method - Bonding	113
Hosts	117
VI mode	117
CLI Method - Hosts	117
TCP Keepalive	119
How it works	119
VI mode	119
CLI Method - TCP Keep Alive	119
Filters and Network Address Translation	121
Description	121
Structure of the iptables	121
Table	121
Chain	121
Rule	122
Syntax	122
Command	123
Rule Specification	124
Match Extensions	126
TCP Extensions	127
UDP Extensions	128
ICMP Extension	128
Multiport Extension	128
Target Extensions	129
LOG	129
REJECT (filter table only)	130
SNAT (NAT table only)	130
DNAT (nat table only)	131
MASQUERADE (nat table only)	131
REDIRECT (NAT table only)	132
How to configure it	132
VI method	132
VPN Configuration	133
Applications of IPsec	133
Using secure tunnels to create a VPN	133
Road Warriors	134
Before you start	134

"Road Warrior" configuration.....	135
Necessary Information.....	135
Setup on the "Road Warrior" machine.....	136
Setup on the ACS.....	137
VPN configuration	138
Authentication Keys.....	139
IPsec Management	140
The IPsec Daemon.....	140
NAT-Transversal.....	140
Adding and Removing a Connection.....	141
Starting and Stopping a Connection	141
IPsec whack	142
The IPsec Configuration Files in Detail	142
Description.....	142
Conn Sections	144
Config Section	147
CLI Method - VPN Configuration.....	148

Chapter 5 - Administration

151

SNMP	151
Configuration	153
VI Method - Involved parameters and passed values	153
CLI Method - SNMP	155
CronD	157
How to configure.....	157
Dual Power Management	160
Syslog-ng.....	161
Port Slave Parameters Involved with syslog-ng	161
The Syslog Functions	162
Syslog-ng and its Configuration	162
Some Examples of Defining Sources:.....	164
Some Examples of Defining Filters:	166
Some examples of defining actions:	170
Examples connecting sources, filters and actions:.....	173
Syslog-ng configuration to use with Syslog buffering feature	174
VI Method	174
Syslog-ng configuration to use with multiple remote Syslog servers.....	175
VI Method	175
CLI Method - Syslog.....	176

How Syslog Messages are generated	178
Generated Syslog Messages	178
DCD ON/OFF Syslog messages	180
How to configure	180
Examples	181
Generating Alarms (Syslog-ng)	183
How to configure	183
VI method - Configuration to use with Alarm Feature	184
CLI Method - Alarm Notification	186
Terminal Appearance	189
VI Method - Involved parameters and passed values	189
CLI Method - Banner	190
Centralized Management	191
VI Method - Involved parameters and passed values	191
Steps for using Centralized Configuration	194
Date, Time and Timezone	195
Date and Time	195
CLI Method - Date and Time	195
Setting Local Timezone	196
Configuring using set_timezone	196
Configuring Using CLI	198
NTP (Network Time Protocol)	199
VI mode configuration	199
CLI Method - NTP	200
Session Sniffing	201
VI Method - Involved parameters and passed values	202
CLI Method - Session Sniffing	203
Saveconf and Restoreconf	205
Saveconf Utility	205
Restoreconf Utility	205
CLI Method - Save/Restore Configuration	206
Start and Stop Services	207
How to Configure Them	209
Security Profiles	210
CLI Method - Selecting a Pre-defined Security Profile	211
CLI Method - Configuring a Custom Profile	212

Power Management Configuration	217
Prerequisites for Power Management	218
Configuring Power Management	218
VI Method - Involved parameters and passed values	219
CLI Method - IPDU Configuration	220
How to change the IPDU Password	222
Accessing the AlterPath PM regular menu from the Console Session	225
Using the Power Management Utility	226
Manage Devices Plugged into a Single Outlet	226
Manage Devices Plugged into Multiple Outlets	229
To Manage Multiple IPDUs from the Command Line	231
To Manage Power Through the Console	232
Power Management for Authorized Users (firmware version prior to 2.2.0)	238
Adding an user of the pmusers group	238
Changing the group of an already existing user	238
pm command	240
Turning the outlet off	242
Locking the outlets	243
Retrieving the status of the outlets	244
pmCommand command	245
Listing the commands available for the AlterPath PM	245
.	246
Cycling all the outlets	246
Unlocking the outlets 1, 5 and 8	246
Retrieving the status of all outlets	246
Turning the outlet off	247
ACS Firmware Upgrade	248
Upgrade Process	248
SNMP Proxy	250
How to Configure	250
Examples:	251

Chapter 7 - PCMCIA Cards Integration 253

Supported Cards	253
Tools for Configuring and Monitoring PCMCIA Devices	253
Ejecting Cards	253
PCMCIA Network devices configuration	254
Ethernet PC cards	254
VI Method	254

Removing the configuration from a Ethernet PCMCIA device	255
CLI Method - Ethernet PCMCIA	255
Wireless LAN PC Cards	256
Removing the configuration from a wireless PCMCIA device.	257
CLI Method - Wireless PCMCIA	257
Modem PC Cards	259
VI Method	259
Establishing a Callback with your Modem PC Card	260
CLI Method - Modem PCMCIA	263
GSM Card Configuration	265
VI Method	265
CLI Method	265
CDMA Card Configuration	267
vi Method	267
CLI Method	268
ISDN PC Cards	270
VI Method	270
Establishing a Callback with your ISDN PC Card	271
Establishing a Callback with your ISDN PC Card (2nd way).	273
CLI Method - ISDN PCMCIA.	275
Media Cards	277
How it works	277
VI Method - Configuration	278
CLI Method - Media Cards PCMCIA	279
How to Save/Load Configuration to/from CF/IDE.	280
CLI Method: backupconfig	281
Generic Dial-Out.	282
Configuring the generic-dial.conf.	283
Configuring Generic Dial-Out	284

Chapter 8 - Profile Configuration 289

The pslave.conf file	289
pslave.conf common parameters.	289
ACS1 only:	297
pslave.conf CAS (Console Access Server) parameters	299
pslave.conf TS (Terminal Server) parameters	309
pslave.conf Dial-in parameters	311
pslave.conf Bidirectional Telnet parameters.	312
To configure Bidirectional Telnet	313
CLI Method	313

To configure a menu shell	314
Using the CLI interface to configure common parameters	314
General State Parameters:	314
Other State Parameters:	315
Examples for configuration testing	316
Console Access Server	316
Terminal Server	318
Dial-in Access	320

Chapter 9 - Additional Features and Applications 323

Windows 2003 Server Management	323
How it works	323
How to Configure	329
VI mode - Parameters Involved and Passed Values	330
Server Commands	333
IPMI Configuration	335
How it works	335
IPMI [ipmitool]	335
Line Printer Daemon	339
CAS Port Pool	341
How to Configure it	341
VI method	341
Billing	344
General Feature Description	344
How to configure it	344
VI method - Passed Values and Involved Parameters	344
How it works	345
Disk Space Issue	345
Billing Wizard	346
How to Configure	346
To configure a port for billing	346

Appendix A - New User Background Information 349

User and Passwords	349
Who is logged in and what they are doing	350
Linux File Structure	350

Basic File Manipulation	351
The vi Editor	352
The Routing Table	353
Secure Shell Session	354
The Session Channel Break Extension	355
How it works in SSH Client	356
Configuring the Session Channel Break Extension in SSH Server	356
The Process Table	357
TS Menu Script	358
Appendix B - Upgrades and Troubleshooting	361
Upgrades	361
The Upgrade Process	361
CLI Method - Firmware Upgrade	363
Troubleshooting	364
Flash Memory Loss	364
Hardware Test	365
Port Test	366
To start the Port test,	366
Port Conversation	367
Test Signals Manually	367
Single User Mode	368
Using a different speed for the Serial Console	369
Setting the Maximum Number of Bytes Received by the Interface	370
To set a limit of bytes received by the interface per second:	370
LEDs	372
CPU LEDs	372
Rear Panel LEDs	372
Ethernet Connector	372
Console Connector	373
Serial Connector	373
Administration parameters in the CLI interface	373
Boot configuration parameters:	373
Administration Menu:	373
Appendix C - Cabling and Hardware Information	375
General Hardware Specifications	375

The RS-232 Standard	377
Cable Length	377
Connectors	379
Straight-Through vs. Crossover Cables	380
Which cable should be used?	380
Cable Diagrams	380
Cable Packages	382
Cable #1: Cyclades RJ-45 to DB-25 Male, straight-through	382
Cable #2: Cyclades RJ-45 to DB-25 Female/Male, crossover	382
Cable #3: Cyclades RJ-45 to DB-9 Female, crossover	382
Cable #4: Cyclades RJ-45 to Cyclades RJ-45, straight-through	383
Cable #5: Cyclades/Sun Netra Cable	383
Adapters	384
Loop-Back Connector for Hardware Test	384
Cyclades\Sun Netra Adapter	385
RJ-45 Female to DB-25 Male Adapter	385
RJ-45 Female to DB-25 Female Adapter	385
RJ-45 Female to DB-9 Female Adapter	386
ACS1-only Cabling Information	387
ACS1 Connectors	387
ACS1-only Cabling Information	387
The RS-485 Standard	387
Cable #1: Terminal Block to Terminal Block, crossover half duplex	388
Cable #2: Terminal Block to Terminal Block, crossover full duplex	388

Appendix D - Copyrights

391

Bash	391
Bootparamd	391
Busybox	391
Cron	391
DHCPCD	391
Flex	391
GNU	392
HardHat Linux	392
IPSec	392
IPtables	392
Linux Kernel	392
Net-SNMP	392
NTP	392

OpenSSH.....	392
OpenSSL.....	393
PAM.....	393
Portslave.....	393
RSYNC.....	393
Syslog-ng.....	393
Tinylogin.....	393
UCD-SNMP.....	393
WEBS.....	394
ZLIB.....	394

Glossary

395

Authentication.....	395
Break Signal.....	395
Console Access Server (CAS).....	395
Console Port.....	395
Cluster.....	395
Flash.....	395
In-band network management.....	395
IP packet filtering.....	396
KVM Switch (KVM).....	396
Mainframe.....	396
MIBs.....	396
Out-of-band network management.....	396
Off-line data buffering.....	396
Profile.....	396
RADIUS.....	396
RISC.....	397
RS-232.....	397
Secure Shell (SSH).....	397
Server Farm.....	397
Shadow Password.....	397
SNMP.....	397
Telnet.....	398
Terminal Server.....	398
TTY.....	398
U Rack height unit.....	398
X.509.....	398



Preface

1.1 Purpose

This Reference Guide covers configuration and administration of the Cyclades™ AlterPath ACS using vi and CLI (Command Line Interface) methods.

VI is a text editor for UNIX type systems, therefore related configuration involves editing text files. All available features in the ACS can be configured using the vi editor. For each configuration method, the feature have an indicator where the configuration is done using the vi editor or the CLI interface (when available). For further information about how to use the vi editor, consult Appendix A - New User Information.

1.2 Audience and User Levels

This command reference guide is intended for the users who are responsible for the deployment and day-to-day operation and maintenance of the ACS. It assumes that the reader understands networking basics and is familiar with the terms and concepts used in Local and Wide Area Networking. UNIX and Linux users will find the configuration process very familiar. It is not necessary to be a UNIX expert, to get the AlterPath ACS up and running. There are two audiences or user levels for this manual:

New Users

These are users new to Linux and/or UNIX with a primarily PC/Microsoft background. You might want to brush up on such things as common Linux/UNIX commands and how to use the vi editor prior to attempting installation and configuration. This essential background information appears in “Appendix A - New User Background Information” on page 349. It is recommended that New Users configure the ACS using a Web browser following the User’s Guide that is totally based on the Web Interface. However, new users can also configure the ACS with vi or the Command Line Interface (CLI).

Power Users

These are UNIX/Linux experts who will use this manual mostly for reference. Power Users can choose between configuring the AlterPath ACS via Web browser, vi, or CLI.

The AlterPath ACS is based on an embedded Linux operating system. Configurations are done using the vi text editor or the Command Line Interface (CLI). If you are new to Linux, it is advisable to refer to the ACS Installation, Administration, and User Guide, which is focused on the ACS Web Manager.

Appendix A - New User Background Information has a section dedicated to the vi text editor and its commands.

1.3 How to use the CLI (Command Line Interface)

Throughout the manual a number of features can be configured using the CLI interface instead of the vi editor. The CLI, or Command Line Interface tool is preferred by many network and system administrators since it allows for automation of configuration through scripting and provides a simple way to document and record a systems configuration. This section introduces the CLI tool and provides information on how to use the interface.

Modes of Operation

1. Interactive mode - commands will be read from standard input.
2. File batch mode - commands will be taken from a file (-f <file>).
3. Batch mode - commands will be taken from the command line arguments
 - Each invocation of the CLI should return a value to the shell indicating success or failure of the command.
 - Each invocation of the CLI should return a text string if any error occurred. If the command is successful then no text is returned.

For example, from the ACS prompt, to change the hostname you can directly do:

```
[root@CAS root]#/bin/CLI config network hostsettings hostname <host_name>
```

Both modes are oriented by keywords that allow the moving from one state to another. Each state will have a specific set of keywords attached to it.

IMPORTANT: Strings with spaces in CLI Batch Mode must be quoted with single and double quotes. To enter strings with spaces using the Batch Mode the user must type "<string1 string2>". Example:

```
# CLI config network hostsettings banner "'Welcome to ACS'"
```

Keywords meanings

1. Changing from one state to another. For example: entering in configuration mode or exiting from configuration mode. Once the CLI goes to one state it will remain in this state until another keyword is entered to change the state.
2. Specifying a function or an action to be performed. For example: Apply changes (runconfig), Save changes into flash (savetoflash), back up configuration script (backupconfig), upgrade firmware (upgradefw), connect to a console (console), etc.
3. Specifying a set of parameters to be configured. For example:

```
cli> config security  
security>adduser username john password john12 admin yes biouser no shell /bin/sh
```

4. Specifying a parameter to be changed. For example:

```
cli> network hostsettings
hostsettings> dhcp yes
```

Interactive Mode

The CLI has some features in order to ease its use. All of them are described in the lines below:

1. AutoComplete of keywords using the tab key.
2. Cursor movement keys:
 - `<Ctrl> a` - Move to the start of the current line.
 - `<Ctrl> e` - Move to the end of the line.
 - `<Ctrl> b` - Move back a character (same as `<left arrow key>`).
 - `<Ctrl> f` - Move forward a character (same as `<right arrow key>`).
 - `<Esc> b` - Move back to the start of the current or previous word. Words are composed of letters and digits.
 - `<Esc> f` - Move forward to the end of the next word. Words are composed of letters and digits.
 - `<Ctrl> l` - Clear the screen and redraw the current line, leaving the current line at the top of the screen.

3. Command History keys:

- `<Ctrl> n` - Move `forward' through the history list, fetching the next command (same as `<down arrow key>`).
- `<Ctrl> p` - Move `back' through the history list, fetching the previous command (same as `<up arrow key>`)

The command history buffer is only available for the last 500 commands in the current session. The history is cumulative, so terminating the session will not clear the buffer. This means a user can login to the CLI and go back over the commands entered by a previous user.

4. Changing text keys:

- `<Ctrl> d` - Delete the character under the cursor (same as `<delete key>`)
- `<Ctrl> h` - Same as `<Backspace key>`
- `<Ctrl> k` - Kill the text from the cursor to the end of the line.
- `<Ctrl> u` - Kill backward from the cursor to the beginning of the current line.
- `<Ctrl> w` - Kill the word behind point.
- `<Esc> d` - Kill from point to the end of the current word, or if between words, to the end of the next word
- `<Esc> <tab>` - This displays the current value of the parameter keyword entered. You can then edit the value

For example: To display the current value for domain and edit it.

```
cli> config network hostsettings
hostsettings> domain [press <Esc> <Tab> now]
```

You see:

```
hostsettings> domain cyclades.com
```

5. Special Keywords

These words are global and can be used in any state. For these special keywords to work, they must be entered first before the rest of the keywords for that state, or they must be the only word in the command line.

- `quit` - It finishes the CLI session.
- `return` - It goes back to the previous state.
- `info` - This shows the help info available for the current state. For example, user can enter the network more and type '`info`' and a brief overview about network configuration may be presented. Or he can type '`info config network`' from the `cli>` prompt. Depending on the screen size of the user's current shell, users may page through the info. If the info text lines exceeds the number of lines capable of being shown in the screen, the user will get the option to type '`m`' for more, '`b`' for back, or '`q`' for quit.
- `show` - Display the configuration parameter(s). It's valid only in configuration state. For example, the following displays some configurations for port 1.

```
cli> config physicalports 1
Ports[1]> show general
```

```
general:
alias:
protocol: consoletelnet
speed: 9600
flow: none
parity: none
datasize: 8
stopbits: 1
```

CLI arguments and its meanings

When calling the CLI interface by typing `CLI` in the shell prompt, you can pass some arguments to it. Here is a brief description

- `-q` - suppresses the output of error messages from the CLI.
- `-t <time>` - the timeout in minutes. Default 10 minutes.
- `-T` - disable idle timeout. Same as "`-t 0`"
- `-s` - save changes to flash (same as `save to flash` keyword) (batch mode only)
- `-r` - activate changes (same as `run config` keyword) (batch mode only)
- `-f <filename>` - executes the commands in the file `<filename>`

Other important features of the CLI

1. Only one user logged in as "root" or "admin" can have an active CLI or Web Manager session. A second user who connects through the CLI or the Web Manager

as the “root” or “admin” has a choice to abort the session or close the other user’s session.

If there are cron jobs running through automated scripts, a “root” or “admin” user login can cause the automated cron jobs to fail. Make sure that the users with administrative privileges are aware of this.

2. CLI has 3 possible user levels:
 - Root user (Linux root user) - Has access to the full functionality of the CLI. Has ‘shell’ command in the CLI that allows the user to have access to the ACS Linux shell prompt. (See note below)
 - Admin - Has access to the full functionality of the CLI except for the ‘shell’ command. So an admin user will not be able to have access to the ACS Linux shell prompt. (See note below)
 - Regular user - Has access to a limited functionality of the CLI. Only has access to cli->applications functionality.

NOTE: *Users can change the login shell in /etc/passwd to execute /bin/CLI so that they will get the CLI right away when they log into the ACS. If user, root, is configured to have /bin/CLI as their default shell, he/she can still have access to the ACS shell prompt by executing the command ‘shell’ from the CLI. Any other users who configured /bin/CLI as their default shell won’t have the ‘shell’ command so they won’t be able to have access to the ACS shell prompt.*

3. The CLI will generate syslog messages when the user open or close a session and for each command executed. Examples:

```
Apr 19 17:51:44 src_dev_log@swes-129 CLI[413]: User root starts a
interactive CLI session.
cli>config
Apr 19 16:18:02 src_dev_log@swes-129 CLI[412]: User root executed
[config]config>Apr 19 16:28:02 src_dev_log@swes-129 CLI[412]: Session
closed due idletimeout
Apr 19 17:54:23 src_dev_log@swes-129 CLI[413]: User root executed [quit]
Apr 19 17:54:23 src_dev_log@swes-129 CLI[413]: User root finishes the CLI
session
```

4. The CLI will write every command executed in interactive mode in the file “~/history”. This file will keep the last 1000 commands executed in any CLI session.

List of CLI Keywords

The following table list the keywords accessible through the CLI interface.

Table 1.1: CLI Keywords

administration	
backupconfig	To restore/save configurations from/to a FTP server or a storage device.
sessions	To manage sessions kill - End a session to a specific serial port. list - Display the list of current serial port connections.
upgradefw	To upgrade the firmware. Provide a domain name or the IP address of the server
applications	
connect	To access the console server connection menu.
pm	To access the ACS power management menu.
view	To display the data buffer files for a serial port.
config	
administration	
<i>bootconfig</i>	To configure boot configuration parameters.
<i>date/time</i>	To set the date and timer.
<i>notifications</i>	To set up alarm notifications.
<i>ntp</i>	To configure Network Time Protocol.
<i>timezone</i>	To select and set a GMT zone.
application	
<i>terminalmenu</i>	To configure a terminal profile menu.
discardchanges	To cancel the configuration changes
ipmi	To configure devices configured with IPMI.
network	To configure Network Parameters.
hosttable	To add or delete a host from the table.

Table 1.1: CLI Keywords

pcmcia	To configure supported PCMCIA cards.
snmp	To configure SNMP server.
stroutes	To setup routes manually for data routing to other subnets.
syslog	To setup a syslog server for logging system messages.
vpn	To setup a VPN connection.
physicalports	To configure serial ports individually or collectively.
restorefromflash	To restore the configuration saved in flash.
savetoflash	To save the configuration changes to flash
security	To configure security profiles and authentication servers.
virtualports	To cascade multiple AltherPath ACS console servers.
portStatus	To display the status on all serial ports.
shell	To open the command shell.
version	To display the CLI version
runconfig	To activate the changes.
info	To display a brief description on the current CLI parameter.
quit	To exit the CLI mode.
return	To go up one level in the CLI menu structure.
show	To display the current configuration information.

1.4 How to use this Guide

This guide is organized into the following sections:

- Basic Network Configuration describes the basic configuration procedures to make the AlterPath ACS operational and available on the network. It includes configuring the network parameters, logging in and selecting a security profile.
- Device Access contains the ways to access the serial ports, depending on the protocol you configured for that serial port. This chapter also has information about clustering, menu shell and data buffering.
- Authentication provides configuration instructions for different types of authentication available in the ACS. This chapter includes detailed information about the Linux-PAM module and Shadow Passwords.
- Network all configuration related to network is explained in this chapter. This chapter approaches since basic configuration until the most the most advanced ones such as filters and VPN.
- Administration contains system's management, administration and maintenance related features.
- Power Management with AlterPath™ PM Integration involves features for those who have an IPDU being controlled by the ACS.
- PCMCIA Cards Integration this chapter has information about compatible PCMCIA cards and the respective instructions to make them work with the ACS.
- Profile Configuration approaches the main configuration file of the unit. This chapter explains each parameter of the pslave.conf file. It also has step by step examples for TS, CAS and RAS profiles.
- Additional Features and Applications has information about special features and step by step instructions on how to set up them.
- Appendix A - New User Background Information contains information for those who are new to Linux/UNIX.
- Appendix B - Upgrades and Troubleshooting covers the most common problems that users faces when using the ACS.
- Appendix C - Cabling and Hardware Information Information has detailed information and pinout diagrams for cables used with the ACS.
- Appendix D - Copyrights lists details about applications that were incorporated into the product.
- Glossary contains information about specific words and terms used in this manual.

1.5 Conventions and Symbols

This section explains the significance of each of the various fonts, formatting, and icons that appear throughout this guide.

Fonts

This guide uses a regular text font for most of the body text and Courier for data that you would input, such as a command line instruction, or data that you would receive back, such as an error message. An example of this would be:

```
# telnet 200.200.200.1 7001
```

Hypertext Links

References to another section of this manual are hypertext links that are underlined (and are also blue in the PDF version of the manual). When you click on them in the PDF version of the manual, you will be taken to that section.

Glossary Entries

Terms that can be found in the glossary are underlined and slightly larger than the rest of the text. These terms have a hypertext link to the glossary.

Quick Steps

Step-by-step instructions for installing and configuring the ACS are numbered with a summarized description of the step for quick reference. Underneath the quick step is a more detailed description. Steps are numbered 1, 2, 3, etc.

For example:

Step 1 - Modify the `pslave.conf` file.

You will modify four Linux files to let the ACS know about its local environment. Open the file `pslave.conf` and add the following lines...

Parameter Syntax

This manual uses standard Linux command syntaxes and conventions for the parameters described within it.

Brackets and Hyphens (dashes)

The brackets ([]) indicate that the parameter inside them is optional, meaning that the command will be accepted if the parameter is not defined. When the text inside the brackets starts with a dash (-) and/or indicates a list of characters, the parameter can be one of the letters listed within the brackets.

Example:

```
iptables [-ADC] chain rule-specification [options]
```

Ellipses

Ellipses (...) indicate that the latest parameter can be repeated as many times as needed. Usually this is used to describe a list of subjects.

Example:

```
ls [OPTION]... [FILE]...
```

Pipes

The pipe (|) indicates that one of the words separated by this character should be used in the command.

Example:

```
netstat {--statistics|-s} [--tcp|-t] [--udp|-u] [--raw|-w]
```

When a configuration parameter is defined, the Linux command syntax conventions will be also used, with a difference.

Greater-than and Less-than signs

When the text is encapsulated with the “<>” characters, the meaning of the text will be considered, not the literal text. When the text is not encapsulated, the literal text will be considered.

Spacing and Separators

The list of users in the following example must be separated by semicolons (;); the outlets should be separated by commas (,) to indicate a list or with dashes(-) to indicate range; there should not be any spaces between the values.

sXX.pmuters: The user access list. For example: jane:1,2;john:3,4. The format of this field is:

```
[<username>:<outlet list>][;<username>:<outlet list>...]
```

where <outlet list>'s format is:

```
[<outlet number>|<outlet start>-<outlet end>] [,<outlet number>|<outlet start>-<outlet end>]...
```

Cautionary and Instructional Information

Note boxes contain instructional or cautionary information that the reader especially needs to bear in mind. There are three levels of information:

WARNING: *A very important type of tip or warning. Do not ignore this information.*

IMPORTANT: *An important tip that should be read. Review all of these notes for critical information.*

TIP: *An informational tip or tool that explains and/or expedites the use of the product.*

This page has been left intentionally blank.



Chapter 1

Basic Network Configuration

This chapter describes the procedures for setting up the basic network configuration to make AlterPath ACS available on the network. In addition, it provides procedures to login, change the default password, and setup the security profile.

Configuring network setting using the vi method or the CLI method are described in Chapter 4, “Network” in detail.

Basic Network Configuration

1.1 Networking Settings

This following section describes how to configure the network parameters using the *wiz* command, vi, or CLI where applicable. The instructions assume that you are installing a new AlterPath ACS in your network, or you are restarting an existing unit from factory default parameters.

Performing Basic Network Configuration Using the *wiz* Command

The following procedure assumes that a hardware connection is made between the ACS's console port and the COM port of a computer.

Log Into ACS Through the Console

From your terminal emulation application, log into the console port as root.

```
ACS login: root
Password: tslinux
```

It is strongly recommended to change the default password “tslinux” before setting up the ACS for secure access to the connected servers or devices.

Password

Change the “root” password. The default */etc/passwd* file has the user “root” with password “tslinux”. You should change the password for user “root” as soon as possible.

To change any user password, run the command:

```
# passwd <user>
```

Security Advisory

The following Security Advisory appears the first time ACS is powered on, or when the unit is reset to factory default parameters. After you have configured the basic network settings, a Security Profile must be selected before proceeding to other configuration procedures, such as user and port settings. See “Selecting A Security Profile” on how to configure a profile using CLI. See ACS Installation, Administration, and User Guide for detailed information on security profiles and configuration options using the Web Manager.

Basic Network Configuration

Important - Security Advisory!

Console Management provides critical access to management features of attached equipment. Please take the required precautions to understand the potential impacts this device may have to your SECURITY policies.

From factory, this device is configured as follows:

- Single password for ROOT;
- All serial port DISABLED;
- DHCP, Telnet, SSHv1 & SSHv2, and HTTP & HTTPS enabled.

Cyclades STRONGLY recommends:

1. To change the ROOT password before setting up the box for secure access to the ACS equipment.
2. That you SELECT A SECURITY PROFILE to complete the INITIAL SETUP. Security is dependent on Policy and is Configurable to fit in environments with varying levels of Security. Cyclades provides three pre-set Security Levels: SECURED, MODERATE and OPEN, and in addition, the ability to set a CUSTOM Security Profile.
3. Do not leave the equipment idle WITHOUT selecting a SECURITY PROFILE.
4. To ENABLE Serial Ports and CONFIGURE them using Web UI or CLI. Refer to the Quick Start Guide or the User's Guide for Security Profile selection details and Serial Port configuration.

Use the wiz Command to Configure Network Parameters

Step 1 - Launch the Configuration Wizard by entering the wiz command.

```
[root@CAS etc]# wiz
```

The system brings up a configuration wizard banner similar to the following figure and begins running the wizard.

Basic Network Configuration

```
*****  
*****C O N F I G U R A T I O N   W I Z A R D**  
*****
```

Current configuration:

```
Hostname: CAS  
DHCP: disabled  
System IP: 192.168.48.11  
Domain name: cyclades.com  
Primary DNS Server: 192.168.44.21  
Second DNS Server: #  
Gateway IP: 192.168.48.1  
Network Mask: 255.255.252.0
```

Set to defaults? (y/n) [n]:

Set to defaults? (y/n) [n]:

Step 2 - At the prompt, enter n to change the defaults.

Set to defaults (y/n) [n]: n

Step 3 - Press Enter to accept the default hostname, otherwise enter your own hostname.

Hostname [CAS]: fremont_branch_ACS

Step 4 - Press Enter to keep DHCP enabled, or enter “n” to specify a static IP address for ACS.

By default, ACS uses the IP address provided by the DHCP server. If your network does not use DHCP, then ACS will default to 192.168.160.10.

Do you want to use DHCP to automatically assign an IP for your system? (y/n) [n] :

Step 5 - Change the default static IP address, see your network administrator to obtain a valid IP address.

System IP[192.168.160.10]: ACS_IP_address

Basic Network Configuration

Step 6 - Enter the domain name.

Domain name[cyclades.com]: *domain_name*

Step 7 - Enter the IP address for the Primary DNS (domain name) server.

Primary DNS Server[192.168.44.21]: *DNS_server_IP_address*

Step 8 - Enter the IP address for the gateway.

Gateway IP[eth0]: *gateway_IP_address*

Step 9 - Enter the netmask for the subnetwork.

Network Mask[#] : *netmask*

The network configuration parameters appear.

Step 10 - Enter **y** after the prompts shown in the following screen example.

Are all these parameters correct? (y/n) [n]: **y**

Do you want to activate your configurations now? (y/n) [y]: **y**

Do you want to save your configuration to Flash? (y/n) [n]: **y**

Step 11 - To confirm the configuration, enter the **ifconfig** command.

1.2 Selecting A Security Profile

A security profile must be selected before proceeding further with configuration of ACS. For detailed information on security profiles see ACS Installation, Administration, and User Guide.

To Select a Security Profile

Select a pre-defined Security Profile, or define a Custom profile for specific services.

The available profiles are:

- **Secured:** Disables all protocols except SSHv2, HTTPS, and SSH to Serial Ports.
- **Moderate:** Enables SSHv1, SSHv2, HTTP, HTTPS, Telnet, SSH and Raw connections to Serial Ports, ICMP, and HTTP redirection to HTTPS.
- **Open:** Enables all services, Telnet, SSHv1, SSHv2, HTTP, HTTPS, SNMP, RPC, ICMP and Telnet, SSH and Raw connections to Serial Ports.
- **Default:** Sets the profile to the same configuration as Moderate.
- **Custom:** Enable or disable individual protocols and services, and configure access to ports.

CLI Mode

Step 1 - Enter the CLI mode

```
[root@CAS etc]# CLI
```

Step 2 - At the prompt enter the following string.

```
cli > config security profile
```

The following commands are available under the “profile” prompt.

```
profile>
```

```
custom          info            open            return          show
default         moderate       quit            secured
```

Step 3 - To configure a Default, Moderate, or Secured pre-defined security profile, enter the following string.

```
profile> <moderate>
```

or,

```
profile> <secured>
```

or,

```
profile> <default>
```

Basic Network Configuration

Step 4 - To configure a custom security profile, navigate to the custom menu.

```
profile > custom
```

Step 5 - From the custom menu enable or disable desired protocols using the following syntax.

```
custom > [protocol] [yes/no]
```

To display the current configuration as shown in the following figure, enter:

```
custom > show
```

```
custom>show
[custom]
ftp: no
telnet: no
.[ssh]
..[ssh_x509]
  CA_file:
  hostkey:
  authorizedkeys:
  sshv1: yes
  sshv2: yes
  sshd_port: 22
  root_access: yes
snmp: no
.[web]
  http: yes
  https: yes
  http_port: 80
  https_port: 443
  http2https: yes
rpc: no
ipsec: no
icmp: yes
.[ports]
  ssh2sport: yes
  telnet2sport: yes
  raw2sport: yes
  auth2sport: no
  bidirect: yes
```

1.3 Enabling Serial Ports

From the factory ACS is configured with all serial ports disabled.

To Enable a Serial Port [vi method]

Step 1 - From the terminal window navigate to the portslave directory to edit the pslave.conf file.

```
[root@CAS /] cd /etc/portslave  
[root@CAS portslave]# vi pslave.conf
```

Step 2 - Navigate to *Port-specific parameters* to uncomment the *sxx.tty* and enable the serial ports.

```
# Port-specific parameters  
#  
s1.tty ttyS1  
#s2.tty ttyS2  
#s3.tty ttyS3  
#s4.tty ttyS4  
#s5.tty ttyS5  
#s6.tty ttyS6  
#s7.tty ttyS7  
#s8.tty ttyS8
```

To Enable a Serial Port [CLI method]

Step 1 - Open the CLI interface by issuing the command:

```
# CLI
```

Step 2 - To enable single or multiple serial ports enter the following command:

```
cli>config physicalports 1,2,3,4 enable yes
```



Chapter 2

Device Access

This chapter will introduce all the possible ways to access the serial ports of the ACS. From this point is considered that the unit is properly configured using one of the possible profiles (CAS or TS). More information about how to configure a profile can be found on [Chapter 8 - Profile Configuration](#).

2.1 Accessing Serial Ports

There are four ways to access serial ports, depending on the protocol you configured for that serial port: setting *all.protocol* to *socket_server* for Telnet access, setting it to *socket_ssh* for SSH access, or setting it to *socket_server_ssh* both.

An administrator can access the serial port by statically addressing it (using TCP port number, alias name, or IP address) or by accessing the next free serial port available from an existent pool (by using the pool's TCP port number, alias or IP address).

Default Configuration Parameters

These are the default configuration settings:

- DHCP enabled (if there is no DHCP Server, IP for Ethernet is 192.168.160.10 with a Netmask of 255.255.255.0)
- CAS configuration
- *socket_server* in all ports (access method is Telnet)
- 9600 bps, 8N1
- No Authentication

Opening and closing a Telnet session to a serial port

To open a Telnet session to a serial port or the first free serial port belonging to a pool of serial ports,

issue the command:

```
# telnet <CAS hostname> <TCP port number>
```

where

- *<CAS hostname>* is the hostname configured in the workstation where the Telnet client will run (through */etc/hosts* or DNS table). It can also be just the IP address of the ACS (Ethernet's interface) configured by the user or learned from DHCP.
- *<TCP port number>* is the number associated to the serial port or pool of serial ports. From factory, 7001 corresponds to serial port 1, 7002 to serial port 2 and so forth, and 3000 is a pool with all serial ports.

To close the Telnet session, just press the Telnet hotkey configured in Telnet client application (usually it's "Ctrl]") and "q" to quit.

Device Access

Opening and closing an SSH session to a serial port

To open a SSH session to a serial port or the next free serial port from a pool, issue the command:

```
# ssh -l <Username>:<Server> <CAS hostname>
```

- <Username> is the user configured to access that serial port. It is present either in the local CAS database or in a Radius/Tacacs/LDAP/Kerberos, etc database.
- <Server> can be just the TCP port number assigned for that serial port (7001, 7002, etc), pool of ports (3000, etc), the alias for the server connected to that serial port or the alias of a pool of ports.
- <CAS hostname> is the hostname configured in the workstation where the SSH client will run (through /etc/hosts or DNS table). It can also be just the IP address of the ACS (Ethernet's interface) configured by the user or learned from DHCP.

To close the SSH session, press the hotkey defined for the SSH client followed by a “.”

The default is “~.”

Make sure you enter the escape character followed by a “.” at the beginning of a line to close the SSH session.

Accessing Serial Ports using “ts_menu”

ts_menu is an application to facilitate connection to the serial ports. The following are the methods of executing the ts_menu command.

- Calling ts_menu without specifying any arguments.
- Calling ts_menu with command line arguments
- Using CLI to call ts_menu.

Calling ts_menu without arguments

To access the serial port (Telnet or SSH) using *ts_menu*, login to the CAS unit and, after receiving the shell prompt, run *ts_menu*. The servers (aliases) or serial ports will be shown as option to start a connection (Telnet/SSH). After typing *ts_menu*, you will see something similar to the following:

```
Serial Console Server Connection Menu for your Master Terminal Server

1 ttyS1 2 ttyS2 3 ttyS3 4 ttyS4
5 ttyS5 6 ttyS6 7 ttyS7 8 ttyS8

Type 'q' to quit, a valid option[1-8], or anything else to refresh:
```

Device Access

Calling ts_menu with arguments

Apart from calling *ts_menu* with no arguments (which directs the user to the traditional *ts_menu* interface) this application can be used with the following command line arguments:

```
ts_menu [-u<user>] [-l[c]] [-ro] [-s] [-auth] [<console port>]
```

The meaning of each argument is:

- *-u<user>* - Invokes *ts_menu* as the user named by *<user>*. This requires a password to be entered. The user have access only to the authorized serial ports.
- *-l[c]* - Generates a list of all ports that the user has access to and terminates. Port aliases will be presented if defined. For the remote ports (clustering) if port alias is not defined they will be shown as "ip_addr:port" (ip_addr referring to the slave ACS). The default is displaying ports in alphabetical order, but in case "c" flag is also specified the listing will be sorted by console server (master unit showing first).
- *-ro* - Invokes *ts_menu* in read only mode. It works even if the user is the only one logged to a certain port. In this mode, the user can connect to any port he has access to but cannot type in. He is in sniff mode. A message stating "Read only mode" is provided in case the user attempts to interact with that port. Note however that a real sniff session (the user isn't the first one to log to a certain port) is only allowed if he is authorized to.
- *-s* - Invokes *ts_menu* in a way that all ports (including slave ACSs) are presented in a single list sorted in alphabetical order. Not using this option causes the display to be as for the old implementation.
- *-auth* - For backward compatibility, this option makes the new *ts_menu* implementation behave as the old one so that authentication is performed again to access each port.
- *<console port>* - If issued, produces a direct connection to that port. In the case the user doesn't have access to that port or the port doesn't exist, the application returns a "console not found" message and terminates. *<console port>* can be the port alias or the port number. In case of clustering, port number must include a reference to the slave ACS as "host:port" (where host is the slave hostname or IP address).

Other options:

- *-p* - Display TCP port
- *-P* - Use the TCP port instead of IP address
- *-i* - Display Local IP assigned to the serial port
- *-s* - Show the ports in a sorted order
- *-u <name>* - Username to be used in SSH/Telnet command
- *-U* - Always ask for an username
- *-e <[^]char>* - Escape char used by Telnet or SSH

Device Access

How to close the session from ts_menu (from the console of your unit)

To close the session from the *ts_menu*, follow the steps below:

Step 1 - Enter the escape character.

The escape character is shown when you first connect to the port. In character/text Mode, the Escape character is ^]

After entering the escape character, the following is shown:

Console escape. Commands are:

- *l* - go to line mode
- *c* - go to character mode
- *z* - suspend telnet
- *b* - send break
- *t* - toggle binary
- *e* - exit telnet

Step 2 - Press “e” to exit from the session and return to the original menu.

Select the exit option and you will return to the shell prompt.

How to close the session from ts_menu (from a Telnet/SSH session to your unit)

You have to be sure that a different escape character is used for exiting your Telnet/SSH session; otherwise, if you were to exit from the session created through the *ts_menu*, you will close your entire Telnet session to your unit. To do this, when you first Telnet/SSH to your unit, use the *-e* option. So for example, to set Ctrl-? as the escape character, type:

```
# telnet -e ^? 192.168.160.10
```

```
# ssh -e ^? user1@192.168.160.10
```

To exit from the session created through the *ts_menu*, just follow Step 1 from above.

To exit from the entire Telnet session to your unit, type the escape character you had set. To exit from the entire SSH session to your unit, type the escape character you had set plus character "."(dot).

To close an SSH session the escape character followed by a “.” must be entered at the beginning of a line.

CLI Mode - ts_menu

You can call *ts_menu* from the CLI interface.

Device Access

Step 1 - Open the CLI interface by issuing the command:

```
# CLI
```

Step 2 - Call the menu.

To call the `ts_menu`, access the following menu:

```
cli> applications connect [Enter]
```

A screen similar to the following appears:

```
Serial Console Server Connection Menu for your Master Terminal Server

 1 PM          2 ttyS3      3 ttyS4      4 ttyS5
 5 ttyS6       6 ttyS7      7 ttyS8      8 ttyS9
 9 ttyS10      10 ttyS11     11 ttyS12    12 ttyS13
13 ttyS14     14 ttyS15     15 ttyS16

Type 'q' to quit, 'b' to return to previous menu, a valid port[1-15],
or anything else to refresh:
```

To see the “connect” options, at the following prompt press [tab] twice.

```
cli > applications > connect
```

The following options display.

```
consolename list readonly
```

To display a list of the available ports run the following command.

```
cli > applications > connect list
```

To connect to the console of a device in a read-only mode run the following command.

```
cli > applications > connect readonly consolename <consolename>
```

The connection is made to the device and a “Read only mode” message is displayed.

To make a direct connection to the console of a device run the following command.

```
cli > applications > connect consolename <consolename>
```

Step 3 - Exiting the CLI mode.

To exit the CLI mode and return to ACS’s shell, type the following command:

```
cli> quit
```

2.2 Data Buffering

Data buffering can be done in local files or in remote files through NFS. When using remote files, the limitation is imposed by the remote Server (disk/partition space) and the data is kept in linear (sequential) files in the remote Server. When using local files, the limitation is imposed by the size of the available ramdisk. You may wish to have data buffering done in file, syslog or both. For syslog, *all.syslog_buffering* and *conf.DB_facility* are the parameters to be dealt with, and *syslog-ng.conf* file should be set accordingly. (Please see [Syslog-ng](#) for the *syslog-ng* configuration file.) For the file, *all.data_buffering* is the parameter to be dealt with.

Conf.nfs_data_buffering is a remote network file system where data buffering will be written, instead of using the default directory */var/run/DB*. When commented, it indicates local data buffering. The directory tree to which the file will be written must be NFS-mounted and the local path name is */mnt/DB_nfs*. The remote host must have NFS installed and the administrator must create, export, and allow reading/writing to this directory. The size of this file is not limited by the value of the parameter *s1.data_buffering*, though the value cannot be zero since a zero value turns off data buffering.

The *conf.nfs_data_buffering* parameter format is:

```
<server name or IP address>:<remote pathname>
```

If data buffering is turned on for port 1, for example, the data will be stored in the file *ttyS1.data* in local directory */var/run/DB* or in remote path name and server indicated by *conf.nfs_data_buffering*.

Ramdisks

Data buffering files are created in the directory */var/run/DB*. If the parameter *s<nn>.alias* is configured for the port *<nn>*, this name will be used. For example, if the alias is called *bunny*, the data buffering file will be named *bunny.data*.

Linear vs. Circular Buffering

For local data buffering, this parameter allows users to buffer data in either a circular or linear fashion. Circular format (*cir*) is a revolving buffer file that is overwritten whenever the limit of the buffer size (set by *all.data_buffering*) is reached. In linear format (*lin*), data transmission between the remote device and the serial port ceases once the 4k bytes Rx buffer in the kernel is reached. Then if a session is established to the serial port, the data in the buffer is shown (*all.dont_show_DBmenu* or *sxx.dont_show_DBmenu* must be 2), cleared, and data transmission is resumed. Linear buffering is impossible if flow control is set to *none*. Default is *cir*.

How to Configure

VI mode - Parameters Involved and Passed Values

To configure Data Buffering, follow the steps below:

Step 1 - Open the */etc/portslave/pslave.conf* file.

All parameters related to Data Buffering are in the *pslave.conf* file. Change the desired parameters according to the table below:

Parameter	Description
<code>all.data_buffering</code>	A non zero value activates data buffering (local or remote, according to what was configured in the parameter <code>conf.nfs_data_buffering</code>). If local data buffering, a file is created on the ACS; if remote, a file is created through NFS in a remote server. All data received from the port is captured in this file. If local data buffering, this parameter means the maximum file size (in bytes). If remote, this parameter is just a flag to activate (greater than zero) or deactivate data buffering. When local data buffering is used, each time the maximum file size is reached the oldest 10% of stored data is discarded, releasing space for new data (FIFO system) - circular file. When remote data buffering is used, there's no maximum file size other than the one imposed by the remote server - linear file. This file can be viewed using the normal UNIX tools (<code>cat</code> , <code>vi</code> , <code>more</code> , <code>tail</code> , etc...). Size is in BYTES not kilobytes.
<code>conf.nfs_data_buffering</code>	This is the Remote Network File System where data captured from the serial port will be written instead of being written to the local directory <code>/var/run/DB</code> . The directory tree to which the file will be written must be NFS-mounted, so the remote host must have NFS installed and the administrator must have created, exported and allowed reading/writing to this directory. The size of this file is not limited by the value of the parameter <code>all.data_buffering</code> , though the value cannot be zero since a zero value turns off data buffering. The size of the file is dependent on the NFS server only (hard drive, partition size, etc.).

*Table 2.1: Data buffering parameters in */etc/portslave/pslave.conf* file*

Device Access

Parameter	Description
all.DB_mode	When configured as <i>cir</i> for circular format, the buffer is like a revolving file that is overwritten whenever the limit of the buffer size (as configured in <i>all.data_buffering</i> or <i>s<n>.data_buffering</i>) is reached. When configured as <i>lin</i> for linear format, once 4k bytes of the Rx buffer in the kernel is reached, a flow control stop (RTS off or XOFF-depending on how <i>all.flow</i> or <i>s<n>.flow</i> is set) is issued to prevent the serial port from receiving further data from the remote. Then when a session is established to the serial port, a flow control start (RTS on or XON) will be issued and data reception will then resume. If <i>all.flow</i> or <i>s<n>.flow</i> is set to none, linear buffering isn't possible. Default is <i>cir</i> .
all.DB_user_logs	When "on", a line containing the time stamp, the username, the event itself (connection/disconnection) and the type of session (Read/Write or Read Only) will be added to the data buffering file every time a user connects or disconnects to the corresponding port. The log message has the following formats: 1) "<connect> [timestamp] [username] [session type] </connect>" 2) "<disconnect> [timestamp] [username] </disconnect>". when [timestamp] = "YYYY-MM-DD hh:mm:ss" [session type] = "Read/Write" or "Read_Only"
all.syslog_buffering	When non zero, the contents of the data buffer are sent to the syslog-ng every time a quantity of data equal to this parameter is collected. The syslog level for data buffering is hard coded to level 5 (notice) and facility is local plus <i>conf.DB_facility</i> . The file <i>/etc/syslog-ng/syslog-ng.conf</i> should be set accordingly for the <i>syslog-ng</i> to take some action. For more information about it consult " Syslog-ng " on page 161.

Table 2.1: Data buffering parameters in /etc/portslave/plslave.conf file

Device Access

Parameter	Description
all.syslog_sess	This parameter determines whether syslog is generated when a user is connected to the port or not. Originally, syslog is always generated whether the user is connected to the port or not. Now, ACS administrators have the option to NOT have syslog generate messages when there is a user connected to a port. This feature does not affect the local data_buffering file. When set to 0 (default), syslog is always generated. When set to 1, syslog is only generated when there are no users connected to the port sending the data. When a user connects to the port that is sending data, syslog messages stop being generated.
all.dont_show_DBmenu	When zero, a menu with data buffering options is shown when a user connects to a port with a non empty data buffering file. When 1, the data buffering menu is not displayed. When 2, the data buffering menu is not shown but the data buffering file is displayed if not empty. When 3, the data buffering menu is shown, but without the erase and show and erase options.
all.DB_timestamp	Records the time stamp in the data buffering file (1) or not (0). If it is configured as 1, the software will accumulate input characters until it receives a CR and LF from the serial port or the accumulated data reaches 256 characters. Either way, the accumulated data will be recorded in the data buffering file along with the current time. The parameter all.data_buffering has to be with a non-zero value for this parameter to be meaningful.

Table 2.1: Data buffering parameters in /etc/portslave/plslave.conf file

Step 2 - Activating and saving the changes made.

To activate the changes issue the command:

```
# runconf
```

To save the changes, run the command:

```
# saveconf
```

CLI Method - Data Buffering

Step 1 - Open the CLI interface by issuing the command:

```
# CLI
```

Step 2 - Configuring data buffering.

Device Access

Data buffering parameters are under the following menu:

```
cli>config physicalports all databuffering
```

Configurable parameters are:

- *buffersyslogeverytime* - If YES is chosen Syslog will be buffered at all time. If NO is chosen, it will only be buffered when nobody is connected to the port.
- *nfspath* - Defines the NFS path.
- *syslogserver* - Defines the IP address of the Syslog server.
- *filesize* - Defines the maximum size of the data buffer file. This parameter must be greater than zero otherwise all parameters relating to data buffering are disregarded.
- *showmenu* - Controls the DB menu options. Valid values are: *yes, no, noerase, file*.
- *syslogsize* - Maximum size of syslog data buffer message.
- *mode* - Chooses between *circular* or *linear* data buffering.
- *syslogfacility* - Defines the facility number for messages generated by the ACS to be sent to the Syslog server.
- *timestamp* - Choose YES to enable timestamp and NO to disable it.

Step 3 - Activate the configuration.

```
cli> config runconfig
```

Step 4 - Save the configuration.

```
cli> config savetoflash
```

Step 5 - Exiting the CLI mode.

To exit the CLI mode and return to ACS's shell, type the following command:

```
cli> quit
```

2.3 Menu Shell

This application allows you to customize the menu presented to users when they connect to the ACS from a dumb terminal. The menu can be set up to allow users to connect to different servers; thereby, making it quick and easy for users to connect to the those servers on the LAN.

How to use

Once the appropriate configurations are done the user will connect to the ACS using a serial terminal. The user will then automatically receive a menu similar to that shown below:

```
Welcome!  
  
1) Sun server  
2) Dell server  
3) Linux server  
4) Quit  
  
Option ==>
```

The user selects the option required to connect to the desired server or to exit the system.

How to configure

Basically the configuration for this feature is divided in two parts that are going to be described in this section.

Firstly it is necessary to assign which users are going to use the Menu Shell by using the proper options provided by the *menush_cfg* utility. The second part is

Device Access

Setting up the Menu Shell

Step 1 - Type "menush_cfg" and use the options shown below to define the menu title and menu commands.

```
-----  
MenuShell Configuration Utility  
-----  
  
Please choose from one of the following options:  
  
1. Define Menu Title  
2. Add Menu Option  
3. Delete Menu Option  
4. List Current Menu Settings  
5. Save Configuration to Flash  
6. Quit  
  
Option ==>
```

Step 2 - Choose the second option (*Add Menu Option*) and complete the requested fields.

The first question will be:

Enter the name for the new menu option:

Here just fill up with a description for the host that will be accessed.

The second question defines the action that must be taken:

Enter the command for the new menu option:

Action can be *telnet host_ip* or *ssh -l username host_ip* where *host_ip* is the IP address of the server to connect to.

Step 3 - Save the changes.

Save the changes made by choosing the fifth option:

5. Save Configuration to Flash

Assigning ports to the Menu Shell

To configure which ports will prompt the menu shell and if it will require authentication to gain access to it, follow the steps below:

Step 1 - If no authentication is required to gain access to the menu.

Device Access

Configure the following parameters in */etc/portslave/pslave.conf* for the ports that will use this menu shell.

```
s<x>.protocol telnet
conf.telnet /bin/menush
s<x>.authtype none
```

Where <x> is the port number being configured.

Step 2 - If authentication is required to gain access to the menu

The users default shell must be modified to run the */bin/menush*. So in */etc/passwd* the shell should be changed as follows. There should be something like:

```
user:FrE6QU:505:505:Embedix User,,,:/home/user:/bin/menush
```

In *pslave.conf* the port where the serial terminal is attached must be configured for login with authentication local. Configure the following lines:

```
s<x>.protocol login
s<x>.authtype local
```

Where <x> is the port number being configured.

Step 3 - Activating and saving the changes made.

To activate the changes issue the command:

```
# runconf
```

To save the changes, run the command:

```
# saveconf
```

CLI Method - Terminal Profile Menu

To set up which servers the users can access, follow the steps below:

Step 1 - Open the CLI interface by issuing the command:

```
# CLI
```

Step 2 - Configuring the terminal menu.

In this step we will configure the menu that will be prompted to the user connecting from a dumb terminal.

Enter the terminal menu configuration:

```
cli>config applications terminalmenu
```

Device Access

Define the menu title, example:

```
terminalmenu>menutitle "Available Servers"
```

Create the entries. The example below will add an entry named “Server1” opening a Telnet connection to 192.168.100.3:

```
terminalmenu>add actionname Server1 command "telnet 192.168.100.3"
```

You can also open a SSH connection to the desired server, to do that substitute the “*telnet host_ip*” by “*ssh -l username host_ip*”.

Step 3 - Activate the configuration.

```
cli>config runconfig
```

Step 4 - Save the configuration.

```
cli> config savetoflash
```

Step 5 - Exiting the CLI mode.

To exit the CLI mode and return to ACS’s shell, type the following command:

```
cli> quit
```

2.4 Clustering using Ethernet Interface

Clustering is available for the ACS with firmware versions 2.1.0 and up. It allows the stringing of Terminal Servers so that one Master ACS can be used to access all ACS's on a LAN. The Master ACS can manage up to 1024 serial ports, so that the following can be clustered:

An example with one Master and two Slave is shown in the following figure:

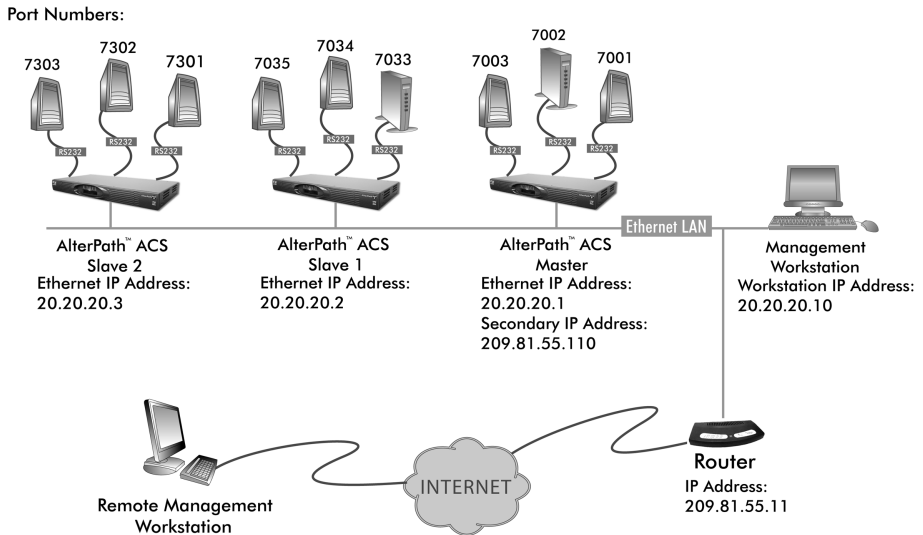


Figure 2.1 - An example using the Clustering feature

How to Configure Clustering

The Master ACS must contain references to the Slave ports. The configuration described for Console Access Servers should be followed with the following exceptions for the Master and Slaves.

VI mode

Step 1 - Edit the `/etc/portslave/pslave.conf` file and change the necessary parameters.

The related file for clustering configuration is `/etc/portslave/pslave.conf`, to edit this file, run the command:

```
# vi /etc/portslave/pslave.conf
```

Device Access

Edit parameters according to the explanation provided in the following table.:

Parameter	Description	Examples/ Valid Values
conf.eth_ip	Ethernet Interface IP address.	20.20.20.1
conf.eth_ip_alias	Secondary IP address for the Ethernet Interface (needed for clustering feature).	209.81.55.110
conf.eth_mask_alias	Mask for secondary IP address above.	255.255.255.0
all.socket_port	This value applies to both the local ports and ports on Slave ACS.	7001+
all.protocol	Depends on the application.	socket_ssh, socket_server, or socket_server_ssh
all.authtype	Depends on the application.	Radius, local, none, remote, TacacsPlus, Ldap, kerberos, local/Radius, radius/local, local/TacacsPlus, TacacsPlus, local, RadiusDownLocal, LdapDownLocal, NIS
s33.tty	This parameter must be created in the Master ACS file for every Slave port. Its format is: IP_of_Slave:[slave_socket_port] for non-Master ports. In this case, the slave_socket_port value is not necessary because s33.socket_port is automatically set to 7033 by all.socket_port above.	20.20.20.2:7033
s33.alias	An alias for this port. (This is an optional parameter).	server_on_slave1_serial_s1
s33.ipno	This parameter must be created in the Master ACS file for every Slave port, unless configured using all.ipno.	0.0.0.0

Table 2.2: Master configuration (where it differs from the CAS standard)

Device Access

Parameter	Description	Examples/ Valid Values
s34.tty	See s33.tty.	20.20.20.2:7034
s34.alias	An alias for this port.	server_on_slave1_serial_s2
s34.ipno	See s33.ipno.	0.0.0.0
s35.tty	See s33.tty.	20.20.20.2:7035
s35.alias	An alias for this port.	server_on_slave1_serial_s3
s35.ipno	See s33.ipno.	0.0.0.0
etc. for s36-s64		
s65.tty	The format of this parameter is IP_of_Slave:[slave_socket_port] for non-Master ports. The value 7301 was chosen arbitrarily for this example.	20.20.20.3:7301
S65.alias	An alias for this port.	server_on_slave2_serial_s1
S65.ipno	See s33.ipno.	0.0.0.0
S66.tty	See s65.tty.	20.20.20.3:7302
S66.alias	An alias for this port.	server_on_slave2_serial_s2
S66.ipno	See s33.ipno.	0.0.0.0
S67.tty	See s65.tty.	20.20.20.3:7303
S67.alias	An alias for this port.	server_on_slave2_serial_s3
S67.ipno	See s33.ipno.	0.0.0.0
etc. for s68-s96		

Table 2.2: Master configuration (where it differs from the CAS standard)

Step 2 - To configure the first Slave unit, follow the table below.

Device Access

The Slave ACS's do not need to know they are being accessed through the Master ACS. (You are creating virtual terminals: virtual serial ports.) Their port numbers, however, must agree with those assigned by the Master. To configure the Slave units, follow the table below:

Parameter	Value for this example
all.protocol	socket_server
all.authtype	none
conf.eth_ip	20.20.20.2
all.socket_port	7033+

Table 2.3: Slave 1 configuration (where it differs from the CAS standard)

Step 3 - Configure the ACS second slave.

To configure the second slave, follow the parameters of the table below:

Parameter	Value for this example
all.protocol	socket_server
all.authtype	none
conf.eth_ip	20.20.20.3
all.socket_port	7301+

Table 2.4: Slave 2 configuration (where it differs from the CAS standard)

Step 4 - Activating and saving the changes made.

To activate the changes issue the command:

```
# runconf
```

To save the changes, run the command:

```
# saveconf
```

Step 5 - Accessing the ports.

To access ports from the remote management workstation, use Telnet with the secondary IP address.

To access the first port of the Master ACS:

```
# telnet 209.81.55.110 7001
```

Device Access

To access the first port of the Slave1 ACS:

```
# telnet 209.81.55.110 7033
```

To access the first port of the Slave2 ACS:

```
# telnet 209.81.55.110 7301
```

SSH can also be used from the remote management workstation.

To access the third port of Slave 2:

```
# ssh -l <username>:Server_on_slave2_serial_s3 209.81.55.110
```

To access the fifth port of Slave 2:

```
# ssh -l <username>:7305 209.81.55.110
```

TIP: *It is possible to get the clustering channel tunneled via IPSec. For more information about IPSec, see [VPN Configuration](#).*

2.5 Clustering using NAT (Enhanced)

With Enhanced Clustering, the CAS ports in the slave box can be configured as SSH or Telnet and can have any type of authentication available. Authentication is performed in the Slave and not in the Master anymore. Additionally, the Master no longer needs to be the default gateway for all Slave boxes.

Enhanced clustering is available on implementations running Linux 2.4.x versions or newer. This new implementation is based on “iptables/nat” which is only available in these higher versions of Linux. Enhanced Clustering has improved performance and security. Performance is greatly increased because only the NAT translation is performed on the Master box. The Master doesn't open an intermediary TCP connection with the Slave box. Also if SSH encryption and decryption is desired, it is performed on the Slave.

New Parameters and Commands

A new parameter, `conf.nat_clustering_ip` allows you to enable or disable the clustering via the NAT table. This parameter should be configured with the IP address used to access the serial ports. The NAT clustering will work regardless of the interface where this IP address is assigned to. Additionally, there are two chains (`post_nat_cluster` and `pre_nat_cluster`) that holds all rules to perform NAT for clustering.

Table 2.5: Abbreviation List

<code>clustering_ip</code>	IP address of any ACS interface (Master box). It is a public IP address and is the one that must be used to connect with the Slave's serial ports.
<code>master_ip</code>	Primary or secondary ethernet IP address of the Master box (usually a public IP address).
<code>slave_ip</code>	Primary or secondary ethernet IP address of the Slave box (usually a non public IP address).
<code>master_port</code>	Remote serial port parameter "socket_port" (configured in the Master box).
<code>slave_port</code>	Local serial port parameter "socket_port" (configured in the Slave box).

The Master ACS box will issue a series of iptables commands to populate the nat table with the necessary rules to perform NAT translation for remote ports. Two chains will be created:

- `post_nat_cluster` (to change the source IP address)
- `pre_nat_cluster` (to change the destination IP address)

Device Access

The ACS administrator must enable clustering via NAT in `pslave.conf` (`conf.nat_clustering_ip <clustering_ip>`).

```
# iptables -D PREROUTING -t nat -p tcp -j pre_nat_cluster
# iptables -D POSTROUTING -t nat -p tcp -j post_nat_cluster
# iptables -t nat -F post_nat_cluster
# iptables -t nat -F pre_nat_cluster
# iptables -t nat -X pre_nat_cluster
# iptables -t nat -X post_nat_cluster
# iptables -t nat -N pre_nat_cluster
# iptables -t nat -N post_nat_cluster
# iptables -A PREROUTING -t nat -p tcp -j pre_nat_cluster
# iptables -A POSTROUTING -t nat -p tcp -j post_nat_cluster
# iptables -A pre_nat_cluster -t nat -p tcp -d <master_ip> --dport
<master_port> -j DNAT --to <slave_ip>:<slave_port>
.....
# iptables -A post_nat_cluster -t nat -p tcp -d <slave_ip> --dport
<slave_port> -j SNAT --to <master_ip>
.....
```

At any time the ACS administrator can issue an `iptables` command to view, change (at his own risk), or delete the rules in the `nat` table. If the administrator issues a “`fwset restore`” command he must also execute the command “`runconf`” to recover the `nat` table.

ACS clustering was primarily designed to allow a large number of serial ports (in more than one box) to be accessed using just one single public IP address. It only works for ports configured with the CAS profile. With `iptables` you can extend the access to the clustering.

Examples:

3. Accessing a Slave box with the WebUI from anywhere:

```
# iptables -A PREROUTING -t nat -p tcp -d 192.168.47.79 --dport 8081 -j DNAT
--to 192.168.51.2:80
```

4. Accessing a public DNS from any Slave box:

```
# iptables -A PREROUTING -t nat -p udp -d 64.186.161.2 --dport 53 -j SNAT
--to 64.186.161.79:53
```

How it works

The Master box (ACS) will perform two translation for each packet. The destination IP address is translated in the `PREROUTING` stage. The source IP address is translated in the `POSTROUTING` stage.

Device Access

The command to start a Telnet client session has not changed. As before, it looks like this:

```
# telnet <clustering_ip> <master_port>
```

And it will have the same result as the command below issued from a local workstation:

```
# telnet <slave_ip> <slave_port>
```

The command to start a SSH client session must have the following command line option:

```
# -p <master_port>
```

The <master_port> will define at least the Slave box with which a connection is desired.

For example, you may use the following commands:

```
# ssh -l <username1>:<server1> -p 7101 <master_ip>
```

```
# ssh -l <username2>:<server2> -p 7101 <master_ip>
```

The above commands will respectively have the same result as the following commands issued from a local workstation:

```
# ssh -l <username1>:<server1> <slave1_ip>
```

```
# ssh -l <username2>:<server2> <slave1_ip>
```

If the parameter <master_port> defines the local IP address assigned to the serial port, the command can be simplified:

```
# ssh -l <username1> -p 7101 <master_ip>
```

```
# ssh -l <username2> -p 7102 <master_ip>
```

Device Access

And it will have respectively the same result as the commands below issued from a local workstation:

```
# ssh -l <username1> <slave1_port1_ip>
# ssh -l <username2> <slave2_port1_ip>
```

NOTE: *In the old clustering implementation <username?> and <server?> must be valid in the Master box. In the new clustering they must be valid in the Slave. In the Master box there is no meaning anymore for remote port's alias and authtype parameters. If you wish to access all clustering ports with the SSH command option -p port, you must assign an IP address to the serial port. Do not omit the parameter socket_port in the Master box.*

General Configuration

The configuration of clustering ports is pretty much the same as before. There is only one new parameter in the Master box (conf.nat_clustering_ip) that enables or disables the clustering via NAT. The parameters usernames (if authentication is local) and alias for remote ports must be configured now in the related Slave box.

In the following configuration examples, looking like “s[1-32].tty ttyS[1-32]” must be seen as 32 lines. For example:

```
s1.tty ttyS1
s2.tty ttyS2
...
s32.tty ttyS32
```

Device Access

Master box Configuration

All mentioned instructions must be made in the `/etc/portslave/pslave.conf` file of the Master box

```
#Master box Configuration
#Enable Clustering via NAT
#

conf.nat_clustering_ip 64.186.161.108

#
#Primary ethernet IP address (must be the public IP).
#

conf.eth_ip    64.186.161.108
conf.eth_mask  255.255.255.0

conf.eth_mtu   1500
#
# Secondary ethernet IP address
#

conf.eth_ip_alias    192.168.170.1
conf.eth_mask_alias  255.255.255.0

#
# Local CAS serial ports (32 socket_ssh ports)
#

all.protocol socket_ssh
all.authtype local
all.socket_port 7001+

s[1-32].tty ttyS[1-32]
#

#Remote CAS serial ports, slave-1 (32 socket_ssh ports). This kind of
#configuration can be used for ssh only; just one entry is necessary.
```

File Description 2.2: Master box: /etc/portslave/pslave.conf

Device Access

```
s33.tty 192.168.170.2
s33.socket_port 7000

s65.protocol socket_server
s66.protocol socket_server
...
s96.protocol socket_server

#
# Remote CAS serial ports, slave-2 (32 socket_server ports)
#

s65.tty 192.168.170.3:7101
s66.tty 192.168.170.3:7102
....

s96.tty 192.168.170.3:7132

s65.socket_port 8001
s66.socket_port 8002
...
s96.socket_port 8032

#
# Remote CAS serial ports, slave-3 (32 socket_ssh ports)
#

s97.tty 192.168.170.101
s98.tty 192.168.170.102
s99.tty 192.168.170.103
...
```

File Description 2.2: Master box: /etc/portslave/pslave.conf

Slave-1 box Configuration

All mentioned instructions must be made in the /etc/portslave/pslave.conf file of the first Slave box:

```
#Slave-1 box Configuration

#Primary ethernet IP address
#

conf.eth_ip 192.168.170.2
conf.eth_mask 255.255.255.0
```

File Description 2.3: Slave1 box: /etc/portslave/pslave.conf

Device Access

```
conf.eth_mtu 1500

#
# Local CAS serial ports (32 socket_ssh ports)
#
all.protocol socket_ssh
all.authtype local

s[1-32].tty ttyS[1-32]
s[1-32].alias slave-1-port[1-32]
```

File Description 2.3: Slave1 box: /etc/portslave/pslave.conf

Slave-2 box Configuration

All mentioned instructions must be made in the */etc/portslave/pslave.conf* file of the second Slave box:

```
#Slave-2 box Configuration
#Primary ethernet IP address
#

conf.eth_ip 192.168.170.3
conf.eth_mask 255.255.255.0
conf.eth_mtu 1500

#
# Local CAS serial ports (32 socket_server ports)
#

all.protocol socket_server
all.authtype local
all.socket_port 7101+

s[1-32].tty ttyS[1-32]
```

File Description 2.4: Slave2 box: /etc/portslave/pslave.conf

Slave-3 box Configuration

All mentioned instructions must be made in the */etc/portslave/pslave.conf* file of the third Slave box:

```
#Slave-3 box Configuration
# Primary ethernet IP address
#
```

File Description 2.5: Slave2 box: /etc/portslave/pslave.conf

Device Access

```
conf.eth_ip 192.168.170.4
conf.eth_mask 255.255.255.0
conf.eth_mtu 1500

#
# Local CAS serial ports (32 socket_ssh ports)
#
all.protocol socket_ssh
all.authtype local
all.ipno 192.168.170.101+

s[1-32].tty ttyS[1-32]
```

File Description 2.5: Slave2 box: /etc/portslave/pslave.conf

Example of starting CAS session commands

The alias, socket_port, or tty must be provided to select which serial port is to be connected to in the Slave box 1.

```
# ssh -l <username>:<slave-1-port [1-32]> -p 7000 64.186.161.108
```

The master_port (socket_port in the Master) will select which serial port is to be connected to in the Slave boxes 1 and 2.

```
# telnet 64.186.161.108 80[01-32]
```

```
# ssh -l <username> -p [7097-7128] 64.186.161.108
```

CLI Method - Clustering

The clustering process is made using the ethernet interface, this means that no special connection is needed between the boxes. All you need is to connect them in the same physical network. To configure one ACS as master to control other ACS (slave), using the CLI just follow the steps below:

Information for the approached example:

- Master box - 4 port unit; 172.22.65.2 as IP address
- Slave box - 32 port unit; 172.22.65.3 as IP address
- Telnet protocol to access the serial ports.

Step 1 - Open the CLI interface by issuing the command:

```
# CLI
```

Device Access

Step 2 - Add a slave box.

```
cli>config virtualports addslave 172.22.65.3
```

Step 3 - Configuring the slave box.

All parameters that have to be configured will be listed, commented and given the correct value for this example.

- numports: This sets the total number of ports of the slave box. The value for this example is 32.
- firstlocalportnum: This parameter will act as the numbering continuation in the slave box. As the master unit is a 4 port box, the first port of the slave unit will be the first local port number. The value for this example is 5.
- localip: To set the IP address of the slave box. The value for the example is *172.22.65.3*.
- firstlocaltcpport: Such as the *firstlocalportnum* parameter, but setting the tcp port. The value for the example is *7005*.
- remoteip: The IP address of the master box. The value for this example is: *172.22.65.2*.
- firstremotetcpport: Where tcp port numbering starts in the master box. The value for this example is: 7001.
- protocol: Protocol used to access the ports. Valid values are: *telnet* or *SSH*.

Step 4 - Activate the configuration.

```
cli>config runconfig
```

Step 5 - Save the configuration.

```
cli>config savetoflash
```

Step 6 - Testing the configuration and additional options.

Telnet to port 10 of the slave box. Supposing you are in the same network as the master ACS, run the command:

```
# telnet 172.22.65.2 7014
```

You can also edit or delete any previously configured virtual port:

```
cli>config virtualports editslave <n.n.n.n>  
cli>config virtualports deleteslave <n.n.n.n>
```

Where n.n.n.n is the IP address of the configured virtual port.

Step 7 - Exiting the CLI mode.

To exit the CLI mode and return to ACS's shell, type the following command:

```
cli> quit
```

Device Access

Chapter 3

Authentication

This chapter presents the procedures for assigning and configuring the authentication service(s) that the ACS, system or any of its components and devices will be using. Authentication is the process by which the system, or more specifically, an authentication service such as Kerberos, Ldap or Tacacs, verifies the identity of users (to verify who they claim to be) as well as to confirm receipt of communication to authorized recipients. This chapter includes the following topics:

- Device Authentication
- Linux-PAM
- Shadow Passwords
- HTTP Signed Digital Certificate
- X.509 Certificate on SSH

3.1 Device Authentication

Authentication is the process of identifying an individual, usually based on a username and password. In security systems, authentication is distinct from authorization, which is the process of giving individuals access to system objects based on their identity. Authentication merely ensures that the individual is who he or she claims to be, but says nothing about the access rights of the individual. With the ACS, authentication can be performed locally, or with a remote Radius, Tacacs, ldap database, or kerberos.

How to configure

Follow the steps below to configure an authentication type.

VI mode - Parameters involved and passed values

To configure the authentication type of the ACS, follow the steps below:

Step 1 - Edit the */etc/portslave/pslave.conf* file.

Edit the *all.authtype* parameter in the *pslave.conf* file to specify the type of authentication server being configured. The table below contains a brief description of each authentication type.

Authentication

Parameter	Description
all.authtype	<p>Type of authentication used. There are several authentication type options:</p> <ul style="list-style-type: none">• None (no authentication) <i>This option is invalid when the serial port is configured for Power Management. The system defaults to “Local” if no authentication type is selected.</i>• Local (authentication is performed using the <code>/etc/passwd</code> file)• Remote (This is for a terminal profile only. The unit takes in a username but does not use it for authentication. Instead it passes it to the remote server where it is then used for authentication.)• Radius (authentication is performed using a Radius authentication server)• TacacsPlus (authentication is performed using a TacacsPlus authentication server)

Table 3.1: Authentication parameters in `/etc/portslave/pslave.conf`

Authentication

Parameter	Description
all.authtype (cont.)	<ul style="list-style-type: none"> • Ldap (authentication is performed against an ldap database using an ldap server. The IP address and other details of the ldap server are defined in the file <code>/etc/ldap.conf</code>) • Kerberos (authentication is performed using a kerberos server. The IP address and other details of the kerberos server are defined in the file <code>/etc/krb5.conf</code>) • Local/Radius (authentication is performed locally first, switching to Radius if unsuccessful) • Radius/Local (the opposite of the previous option) • Local/TacacsPlus (authentication is performed locally first, switching to TacacsPlus if unsuccessful) • TacacsPlus/Local (the opposite of the previous option) • RadiusDownLocal (local authentication is tried only when the Radius server is down) • TacacsPlusDownLocal (local authentication is tried only when the TacacsPlus server is down) • Kerberos/Local (Kerberos authentication is tried first, switching to Local if unsuccessful) • KerberosDownLocal (local authentication is tried only when the kerberos server is down) • Ldap/Local (LDAP authentication is tried first, switching to local if unsuccessful) • LdapDownLocal (local authentication is tried only when the ldap server is down) • NIS - All authentication types but NIS follow the format <code>all.authtype <Authentication>DownLocal</code> or <code><Authentication></code> (e.g. <code>all.authtype radius</code> or <code>radiusDownLocal</code> or <code>ldap</code> or <code>ldapDownLocal</code>, etc). NIS requires <code>all.authtype</code> to be set as <code>local</code>, regardless if it will be "nis" or its "Downlocal" equivalent. The service related to "nis" or its "Downlocal" equivalent would be configured in the <code>/etc/nsswitch.conf</code> file, not in the <code>/etc/portslave/pslave.conf</code> file. <p>Note that this parameter controls the authentication required by the AlterPath ACS. The authentication required by the device to which the user is connecting is controlled separately.</p>

Table 3.1: Authentication parameters in `/etc/portslave/pslave.conf`

NOTE: *If you want to dial in to the serial port on an ACS series with CHAP authentication, you need to do the following:*

1. *Configure `Sxx.authtype` as local.*
2. *Add users in AlterPath ACS.*

Authentication

3. Insert the users in the file `/etc/ppp/chap-secrets`.
4. Insert the file `/etc/ppp/chap-secrets` in the file `/etc/config_files`.
5. Execute the `saveconf` command.

Step 2 - Configuring an authentication server.

The parameters for each type of authentication server is stored in its own configuration file on ACS.

Authentication Server	File Path
Radisu	<code>/etc/raddb/server</code>
TacacsPlus	<code>/etc/tacplus.conf</code>
Kerberos	<code>/etc/krb5.conf</code>
LDAP	<code>/etc/ladp.conf</code>
NIS	<code>/etc/yp.conf</code>

Table 3.2: Authentication Servers and File Path

Step 3 - Activating and saving the changes made.

To activate the changes issue the command:

```
# runconf
```

To save the changes, run the command:

```
# saveconf
```


Authentication

CLI Method - Authentication

Follow the below procedures to:

- Configure the authentication type for the ACS serial ports.
- Configure user access to the serial ports.
- Configure the authentication type for accessing the console of a connected device.
- Configure an authentication server.

To configure the authentication type for the serial ports.

Step 1 - Open the CLI interface by issuing the command:

```
# CLI
```

Step 2 - Navigate to the following path.

```
cli>config physicalports access authtype [value]
```

For physicalports specify a port number, select a range, or enter “all”. For example, “physicalport 4”, “physicalports 1-8”, or “physicalports all”.

Step 3 - To see the list of authentication types, from >authtypes

```
<Press tab to see list of possible values>
```

Authentication type “None” is not a valid option when the serial port is configured for Power Management connection protocol. The system defaults to “Local” if no authentication type is selected.

To configure user access to the serial ports

Step 1 - Open the CLI interface by issuing the command:

```
# CLI
```

Step 2 - Navigate to the following path.

```
cli>config security
```

This menu lets you execute the following actions:

Authentication

- adduser - To add an user you need to pass the following parameters: user name *<username>*; administrator privileges or not *<admin - yes/no>*; biouser or not *<biouser - yes/no>*; password *<password>*; comments *<comments>*. Example:

```
security>adduser username john admin no biouser no password john1234
```

- addgroup - To add a group it is necessary to inform the group name *<groupname>* and the members *<usernames>* of this group. Example:

```
security>addgroup groupname test usernames john,mary
```

- delgroup - To delete a group it is necessary to inform the name of the group *<groupname>* you want to delete. Example:

```
security>delgroup groupname test
```

- deluser - To delete an existing user, it is necessary to inform the user you want to delete by specifying the *<username>* parameter. Example:

```
security>deluser username cyclades
```

- loadkey - This options allows you to get the user's public key via scp. The user must be enrolled in the local database of the unit. You must specify the user name *<username>* and the url *<url>*. The *url* must follow this syntax: *user@host:pathname*. Example:

```
security>loadkey username root url root@192.168.0.1/home/key
```

- passwd - Change the password of a user. You need to inform the user *<username>* and the new password *<newpassword>* of the user. Example:

```
security>passwd username root newpassword diffucultpasswd1234
```

To configure authentication type for device console access.

Step 1 - Open the CLI interface by issuing the command:

```
# CLI
```

Step 2 - Navigate to the following path.

```
cli>config security authentication authtype <string>
```

Step 3 - To see the list of authentication types, from >authtype

```
<Press tab to see list of possible values>
```

The following list of authentication types appears.

Nis, kerberos, local/Nis, Nis/local, kerberos/local, local/TacacsPlus, NisDownLocal, kerberosDownLocal, local/radius, RadiusDownLocal, ldap, none, TacacsPlus,

Authentication

ldap/local, radius, TacacsPlus/local, ldapDownLocal, radius/local, TacacsPlusDownlocal, and local. For more information about this please see the all.authtype parameter on [Table 3.1, “Authentication parameters in /etc/portslave/pslave.conf,”](#) on page 54

To configure an authentication server.

Step 1 - Open the CLI interface by issuing the command:

```
# CLI
```

Step 2 - Navigate to the following path.

```
cli>config security authentication
```

Step 3 - To see the list of authentication server types, from >authentication, press the tab to see the list of possible values. The following list of authentication types appears.

```
nissserver, radiussecret, tacplusauthsvr1, radiustimeout tacplusauthsvr2,  
krbdomain, radiusacctsvr1, tacplusraccess, krbserver, radiusacctsvr2,  
secureldap, tacplusretries, ldapbasedomain, radiusauthsvr1, tacplussecret,  
ldapserver, radiusauthsvr2, tacplusacctsvr1, tacplustimeout, nisdomain,  
radiusretries, tacplusacctsvr2
```

Step 4 - Configure an authentication server.

```
#config security authentication <server option> <ip address>
```

To activating the configuration.

```
cli> config runconfig
```

To save the configuration.

```
cli> config savetoflash
```

To exit the CLI mode.

```
cli> quit
```

Authentication

Access Control via Radius Attribute NAS-Port-id

This feature provides an additional way to control the access to serial ports other than the one based in usernames or groups. The authentication type must be Radius for this feature to function. The Radius server administrator must configure the user (in the radius server database) with one NAS-PORT-id attribute for each serial port that the user is allowed to access.

In the example below the user alfred can access the serial ports ttyS11, ttyS13, and ttyS17:

```
alfred Auth-Type = Local, Password = 'alfred'  
  
Service-Type = Framed-User,  
Framed-Protocol = PPP,  
NAS-Port-Id = 11,  
NAS-Port-Id = 13,  
NAS-Port-Id = 17
```

The pam_radius module will check whether the NAS-Port-Id matches one of those sent by the radius server. If the radius server does not send the NAS-Port-Id attribute, no check is performed.

No configuration is needed for the ACS. However, the authentication type must be “radius”. Authentications like radiusDownLocal, radius/local, etc. will not validate the NAS-port-Id if the user was locally authenticated.

NIS Client

NIS (Network Information System) provides simple and generic client-server database access facilities that can be used to distribute information. This makes the network appear as a single system, with the same accounts on all hosts. The objective of this feature is to allow the administrator to manage ACS accounts on a NIS server.

The NIS client feature needs these following files/commands:

File/Command	Description
/etc/yp.conf	This file contains the configuration used by ypbind.
/etc/domainname.conf	This file contains the NIS domain name (set by the command domainname).

Table 3.3: NIS client requirements

Authentication

File/Command	Description
/usr/sbin/ypbind	Finds the server for NIS domains and maintains the NIS binding information.
/usr/bin/ypwhich	Returns the name of the NIS server that supplies the NIS services.
/usr/bin/ypcat	Prints the values of all keys from the NIS database specified by map name.
/usr/bin/ypmatch	Prints the values of one or more keys from the NIS database specified by map name.
/usr/sbin/domainname	Shell script to read/write the NIS domain name.

Table 3.3: NIS client requirements

NIS Client Configuration

Step 1 - Run the command `domainname`.

You'll want to make sure that you have the NIS domain name set.

Command:

```
# domainname [NIS domain name]
```

show or set the system's NIS/YP domain name, e.g.:

```
# domainname cyclades mycompany-nis
```

Step 2 - Edit the `/etc/yp.conf` file.

You will need to configure the NIS server. Example: If the NIS server has the IP address 192.168.160.110, you'll have to add the following line in the file:

```
ypserver 192.168.160.110
```

Step 3 - Edit the `/etc/nsswitch.conf` file.

Change the `/etc/nsswitch.conf` file ("System Databases and Name service Switch" configuration file) to include the NIS in the lookup order of the databases.

Step 4 - Configure the parameter "`<all/sxx>.authype`" as "local".

How to Test the Configuration

To test the configuration do the following:

Authentication

Step 1 - Start up the following command:

```
# /usr/sbin/ypbind
```

Step 2 - Display the NIS server name.

Display the name of NIS server by running the following command:

```
# /usr/bin/ypwhich
```

Step 3 - Display the “all users” entry.

Displays the all users' entry in the NIS database by running the following command:

```
# /usr/bin/ypcat -t passwd.byname
```

Step 4 - Display the user's entry in the NIS passwd file.

```
# /usr/bin/ypmatch -t <userid/username> passwd.byname
```

If the preceding steps were performed successfully, you now need to change the */etc/inittab* file by uncommenting the line that performs a ypbind upon startup.

nsswitch.conf file format

The */etc/nsswitch.conf* file has the following format:

```
<database> : <service> [ <actions> <service> ]
```

where:

<database> - available: aliases, ethers, group, hosts, netgroup, network, passwd, protocols, publickey, rpc, services and shadow

<service> - available: nis (use NIS version 2), dns (use Domain Name Service) and files (use the local files)

<actions> - Has this format: [<status> = <action>]

where:

<status> = SUCCESS, NOTFOUND, UNAVAIL or TRYAGAIN

<action> = return or continue

- SUCCESS - No error occurred and the desired entry is returned. The default action for this status is 'return'
- NOTFOUND - The lookup process works fine, but the needed value was not found. The default action for this status is “continue.”

Authentication

- UNAVAIL - The service is permanently unavailable.
- TRYAGAIN - The service is temporarily unavailable.

To use NIS only to authenticate users, you need to change the lines in */etc/nsswitch.conf* that reference passwd, shadow, and group.

Examples

4. You wish to authenticate the user first in the local database. If the user is not found, then use NIS:

```
passwd: files nis
shadow: files nis
group: files nis
```

5. You wish to authenticate the user first using NIS. If the user is not found, then use the local database:

```
passwd: nis files
shadow: nis files
group: nis files
```

6. You wish to authenticate the user first using NIS. If the user was not found or the NIS server is down, then use the local database:

```
passwd: nis [UNAVAIL=continue TRYAGAIN=continue] files
shadow: nis [UNAVAIL=continue TRYAGAIN=continue] files
group: nis [UNAVAIL=continue TRYAGAIN=continue] files
```

3.2 Kerberos Authentication

Kerberos is a computer network authentication protocol designed for use on insecure networks, based on the key distribution model. It allows individuals communicating over a network to prove their identity to each other while also preventing eavesdropping or replay attacks, and provides for detection of modification and the prevention of unauthorized reading

Kerberos Server Authentication with Tickets support

The ACS has support to interact on a kerberized network. You can find in the next lines a brief explanation about how kerberos works. Later in this section, a practical a step by step example will be presented.

How Kerberos Works

On a kerberized network, the Kerberos database contains principals and their keys (for users, their keys are derived from their passwords). The Kerberos database also contains keys for all of the network services.

When a user on a kerberized network logs in to their workstation, their *principal* is sent to the Key Distribution Center (*KDC*) as a request for a Ticket Granting Ticket (*TGT*). This request can be sent by the login program (so that it is transparent to the user) or can be sent by the *kinit* program after the user logs in.

The KDC checks for the *principal* in its database. If the principal is found, the KDC creates a TGT, encrypts it using the user's key, and sends it back to the user.

The login program or *kinit* decrypts the *TGT* using the user's key (which it computes from the user's password). The *TGT*, which is set to expire after a certain period of time, is stored in your credentials cache. An expiration time is set so that a compromised *TGT* can only be used for a certain period of time, usually eight hours (unlike a compromised password, which could be used until changed). The user will not have to re-enter their password until the *TGT* expires or they logout and login again.

When the user needs access to a network service, the client uses the *TGT* to request a ticket for the service from the Ticket Granting Service (*TGS*), which runs on the *KDC*. The *TGS* issues a ticket for the desired service, which is used to authenticate the user.

Configuring ACS to use Kerberos Tickets authentication

For this example we will consider that a kerberos server with ticket support is properly configured in the network. The manual will only approach the ACS configuration.

Here we will assume that the kerberos server has the following configuration:

Authentication

- Principal: john
- Host (Cyclades ACS): acs48-2.cyclades.com

ACS Configuration

Configuring it for SSH:

Step 1 - Configure and start a NTP server

All involved parts must be synchronized with a NTP server. To configure a NTP server see [“NTP \(Network Time Protocol\)” on page 199](#).

Step 2 - Configure authentication and protocol in the `/etc/portslave/plslave.conf` file. Open the file and edit these parameters:

```
all.authtype local
all.protocol socket_ssh.
```

Step 3 - Activate and save the configuration, by issuing the commands:

```
# runconf
# saveconf
```

Step 4 - Add an user with the same name as the “principal”, configured in the Kerberos server.

```
# adduser john
```

Step 5 - Configure the `krb5.conf` file. The `/etc/krb5.conf` file must be exactly the same as the one that is in the Kerberos server.

It is highly recommended to copy it directly from the server, instead of editing it. To copy using `scp`, issue the command:

```
# scp root@kerberos-server.cyclades.com:/etc/krb5.conf /etc/krb5.conf
```

Step 6 - Extract the host that is in the Kerberos server database to the ACS:

```
# kadmin -p admin/admin
```

Where the first “admin” is the service and the second one is the user.

This will prompt a Kerberos server menu. To extract the configured hosts run the following commands in the `kadmin` menu:

```
kadmin: ktadd host/acs48-2.cyclades.com
kadmin: q
```

To list all configured hosts in the Kerberos server, run the command:

Authentication

```
# klist -k
```

The above command will show all hosts added through the *ktadd* command in the Kerberos server.

Step 7 - Configure hostname and domain name.

To configure the hostname and the domain name, issue the commands:

```
# hostname acs48-2
# domainname cyclades.com
```

Rlogin and Telnet:

To access the ACS through rlogin or Telnet, follow the steps described above plus the ones describe below.

Step 1 - Configure the */etc/inetd.conf* file by uncommenting the lines:

```
#KERBEROS SERVICES
klogin stream tcp nowait root /usr/sbin/tcpd /usr/local/sbin/klogind -ki
telnet stream tcp nowait root /usr/sbin/tcpd /usr/local/sbin/telnetd
```

Step 2 - Restart the *inetd* service, by issuing the command:

```
# daemon.sh restart NET
```

Step 3 - Save the configuration.

```
# saveconf
```

Test the configuration:

All the steps below will be performed in the client side:

Step 1 - The client must have a kerberized SSH and configure the */etc/ssh/ssh_config* file, according to the example below:

```
GSSAPIAuthentication yes
GSSAPICleanupCreds yes
```

Step 2 - The client must have the same *krb5.conf* file present in the Kerberos server.

```
# scp root@kerberos-server.cyclades.com:/etc/krb5.conf /etc/krb5.conf
```

Authentication

Step 3 - Requesting the ticket to the Kerberos server.

```
# kinit -f -p john
Password for john@CYCLADES.COM: *****
```

You will be prompted to insert a password, that is the “principal” password that is in the Kerberos server database.

Step 4 - Checking if the ticket was successful received:

```
# klist
```

Step 5 - Connect, from the client, to the ACS via SSH:

Opening a SSH connection to the ACS itself:

```
#ssh john@acs48-2.cyclades.com
```

Opening a SSH session to one of the ACS ports:

```
# ssh john:7001@acs48-2.cyclades.com
```

Step 6 - Connecting via RLOGIN to the ACS itself, with forwardable tickets (to connect to the ACS ports using *ts_menu*):

```
# rlogin -l john acs48-2.cyclades.com -F
```

Then run *ts_menu* to access the desired serial port.

Step 7 - Connecting via Telnet to the ACS itself with forwardable tickets (to connect to the ACS ports using *ts_menu*):

```
telnet -l john acs48-2.cyclades.com -F
```

Then run *ts_menu* to access the desired serial port.

Kerberos Server Authentication

To authenticate users on a Kerberos sever, it is necessary to edit two configuration files: *pslave.conf* and *krb5.conf*. Below is a step by step example:

Step 1 - Edit the */etc/portslave/pslave.conf* file.

Open the */etc/portslave/pslave.conf* file running the following command:

```
# vi /etc/portslave/pslave.conf
```

Look for the *all.authtype* and *all.protocol* parameters and change their values according to the example below:

Authentication

```
all.authtype      kerberos
all.protocol      socket_ssh ##or socket_server or socket_server_ssh
```

To use the Telnet protocol to access the serial ports of the unit, set the all.protocol parameter to socket_server.

To use both Telnet and SSH to access the unit, set the all.protocol parameter to socket_server_ssh. In this example we are using the SSH protocol.

Step 2 - Edit the `/etc/krb5.conf` file.

Open the `/etc/krb5.conf` running the following command:

```
# vi /etc/krb5.conf
```

Basically, all the changes needed in this file are related to the network domain. Substitute all listed parameters that are configured with “cyclades.com” with the correspondent domain of your network. Below is an example of the file:

```
[logging]
default = FILE:/var/log/krb5libs.log
kdc = FILE:/var/log/krb5kdc.log
admin_server = FILE:/var/log/kadmind.log

[libdefaults]
ticket_lifetime = 24000
default_realm = CYCLADES.COM
default_tgs_enctypes = des-cbc-crc
default_tkt_enctypes = des-cbc-crc

[realms]

CYCLADES.COM = {
kdc = kerberos.cyclades.com:88
admin_server = kerberos.cyclades.com:749
default_domain = cyclades.com
}

[domain_realm]
.cyclades.com = CYCLADES.COM
cyclades.com = CYCLADES.COM
```

File Description 3.1: `/etc/krb5.conf`

Authentication

```
[kdc]
profile = /var/kerberos/krb5kdc/kdc.conf

[pam]
  debug = false
  ticket_lifetime = 36000
  renew_lifetime = 36000
  forwardable = true
  krb4_convert = false
```

File Description 3.1: /etc/krb5.conf

Step 3 - Activating changes.

To activate the changes made, run the command:

```
# runconf
```

Step 4 - Testing configuration

To test the configuration, it is necessary to access any serial port using the Telnet protocol (this is the case of the approached e.g.). From a remote machine issue the following command:

```
# telnet 192.168.0.1 7001
```

A prompt will ask for an user and password. Log with the user and password previously configured in the Kerberos server.

In the ACS run the command:

```
# w
```

The response for this command will be something like this:

```
1:03pm up 57 min, 1 user, load average: 0.00, 0.00, 0.00
```

```
USER      TTY      FROM          LOGIN@      IDLE        JCPU        PCPU        WHAT
root      ttyS0    -             12:07pm    0.00s      1.47s      0.15s      /bin/sh /usr/bin
```

```
CAS users : 1
```

```
USER      TTY      FROM          LOGIN@      PID/Command
cyclades  ttyS1    192.168.0.143:1503  01:02pm    512/-RW_srv ttyS
```

The last line of the command response shows the user “cyclades” accessing the first serial port of the ACS unit.

Authentication

Step 5 - Saving changes.

To save the configuration, run the command:

```
# saveconf
```

Authentication

3.3 LDAP Authentication

Here we are going to describe the basic steps to configure a LDAP server on linux. We will also give instructions about how to configure the ACS box.

Configuring an LDAP server on Linux

The steps below are intended to guide the installation of a LDAP server on a generic Linux machine.

Step 1 - The packages required for the LDAP servers are:

- db (Sleepycat Berkeley Database)
- openssl (OpenSSL)
- openldap (OpenLDAP)

It's also possible to load the source codes and compile them, but it is easier to load these packages from your distribution CD-ROM or via Internet.

Step 2 - Go to the directory `/etc/openldap` or `/usr/local/etc/openldap`.

Change the directory running the following command:

```
# cd /usr/local/etc/openldap
```

NOTE: *The example uses `/usr/local` path. Change all references of `/usr/local` if the path is different, and check if the directory/file really exists.*

Step 3 - Create the certificates:

To create the certificates, run the following commands in the given sequence:

```
# ln -s /usr/local/bin/openssl.  
# ln -s /usr/local/ssl/misc/CA.pl.  
# PATH=$PATH:.  
# CA.pl -newca <-- answer questions, you MUST fill in "commonName"  
# CA.pl -newreq <-- repeat  
# CA.pl -signreq  
# mv newreq.pem ldapkey.pem  
# chmod 0600 ldapkey.pem  
# mv newcert.pem ldapcert.pem
```

Step 4 - Edit `slapd.conf`. The basic configuration to make it work is:

Authentication

The basic configuration of the file is like described below:

```
include /usr/local/etc/openldap/schema/core.schema
include /usr/local/etc/openldap/schema/cosine.schema

pidfile /usr/local/var/slapd.pid
argsfile /usr/local/var/slapd.args

TLSCipherSuite HIGH:MEDIUM:+SSLv2
TLSCertificateFile /usr/local/etc/openldap/ldapcert.pem
TLSCertificateKeyFile /usr/local/etc/openldap/ldapkey.pem
TLSCACertificateFile /usr/local/etc/openldap/demodc/cacert.pem

database bdb
suffix "dc=cyclades,dc=com,dc=br"

rootdn "cn=admin,dc=cyclades,dc=com,dc=br"

rootpw bitadmin

directory /usr/local/var/openldap-data

index objectClass eq
```

File Description 3.2: slapd.conf configuration

Step 5 - Start LDAP server.

To start the server run the command:

```
# /usr/local/libexec/slapd -h "ldap:/// ldaps:///"
```

This will allow the LDAP server accept both secured mode and non-secure mode.

Step 6 - Add entries.

Example:

```
ldapadd -x -D "cn=admin,dc=cyclades,dc=com,dc=br" -w bitadmin
dn: uid=helio,dc=cyclades,dc=com,dc=br
objectClass: person
objectClass: uidobject
uid: helio
cn: Helio Fujimoto
sn: Fujimoto
userPassword: bithelio
```

To list the entries:

Authentication

```
ldapsearch -x -D "cn=admin,dc=cyclades,dc=com,dc=br" -w bitadmin  
'(objectClass=*)'
```

This is enough to set up a LDAP server with some users, for PAM authentication purposes.

Configuring the AlterPath ACS side

To configure the unit for PAM authentication, follow the steps below:

Step 1 - Configure *all.protocol* as *ldap*, in */etc/portslave/pslave.conf*

Step 2 - Configure the */etc/ldap.conf* file.

Edit the following parameters:

```
host 200.246.93.95 <== LDAP server IP address or name  
base dc=cyclades,dc=com,dc=br <== distinguished name of the search base  
uri ldaps://200.246.93.95 <== to use secure LDAP
```

File Description 3.3: /etc/ldap.conf configuration

Step 3 - Activating and saving the changes made.

To activate the changes issue the command:

```
# runconf
```

To save the changes, run the command:

```
# saveconf
```

Active Directory

A Windows 2000 or Windows 2003 Server edition is necessary. In the ACS side, the */etc/ldap.conf* must be configured.

Authentication

What needs to be set in the `/etc/ldap.conf`

Follow the example below to set correctly the necessary parameters:

```
# The Windows 2003 server IP address
host 200.246.93.118

# The Distinguished name (In our active directory, the format was set
# to Cycladescorporation.local)
base dc=CycladesCorporation,dc=local

# Here you can insert any user you had created, or the administrator
# user.
binddn cn=Administrator,cn=Users,dc=Cyclades,dc=local

# Password for that user
bindpw test123

# PAM login attribute
pam_login_attribute sAMAccountName

# Update Active Directory password, by creating Unicode password and
# updating unicodePwd attribute.

pam_password ad
```

File Description 3.4: `/etc/ldap.conf`

Enabling TACACS+ Authorization for Serial Ports

Using an authorization method in addition to authentication provides an extra level of system security. By enabling the **raccess** parameter, administrators require an additional level of security checking. After each user is successfully authenticated through the standard login procedure, the ACS uses TACACS+ to authorize whether or not each user is allowed to access specific serial ports.

By default the **raccess** parameter is not enabled allowing all users full authorization. When the **raccess** parameter is enabled, users are denied access unless they have the proper authorization, which must be set on the TACACS+ server itself.

Configuring Authorization with a TACACS+ Server [CLI]

Step 1 - In CLI mode, enter the following string:

```
config > security > authentication> tacplusraccess yes
```

Step 2 - To save the configuration, enter the command:

Authentication

```
config > savetoflash
```

Configuring Authorization with a TACACS+ Server [vi]

Step 1 - Open /etc/tacplus.conf

Step 2 - Edit the service parameter to be raccess:

```
service=raccess
```

Setting User Authorization Permissions on the TACACS+ Server [vi]

The authorization for each user is defined on the TACACS+ server itself in the file /etc/tacacs/tac_plus.cfg on the "Linux Fedora Core 3"

The location of this configuration file may be different on other Linux distributions.

Step 1 - On the TACACS+ server, open the file

/etc/tacacs/tac_plus.cfg.

Step 2 - Edit the following lines:

The text in bold type face is included as an example.

```
user = tomj {  
  name = "Tom Jones"  
  service = raccess {  
    port1 = LAB2/ttyS2  
    port2 = 192.168.0.1/ttyS1  
    port3 = CAS/ttyS1  
    port4 = 172.32.20.10/ttyS6  
    port5 = LAB1/ttyS7  
    port6 = Knuth/ttyS16  
  }  
}
```

Table 3-4: Parameters for Specifying User Authorization on a TACACS+ Server

Parameter	Description	Example Value
user = <username>	Defines the username as specified on the ACS.	tomj

Authentication

Table 3-4: Parameters for Specifying User Authorization on a TACACS+ Server

Parameter	Description	Example Value
name = < <i>optional description</i> >	Optional to specify additional information about user. This parameter must include quotes. The maximum number of characters allowed is 256. Adding more than 256 characters stops the server from restarting and produces a "FAILED" message at the time of authorization.	"Tom Jones"
service = < <i>authorization method</i> >	Specifies the authorization method used whether the user is allowed or denied access when the <code>raccess</code> parameter is set on the ACS. Only users who have this parameter set to <code>raccess</code> will have authorization to access the specified ports?	<code>raccess</code>
port<#> = < <i>ACS</i> >/< <i>Port</i> >	Specify which serial ports on the ACS the user has authorization to access. <code>port#</code> is a sequential label used by the ACS. < <i>ACS</i> > is the name or IP address of the ACS box. < <i>Port</i> > is the serial port the user can access on the specified ACS box.	<code>port1 = LAB2/ttyS2</code>

Authentication

3.4 Group Authorization

This feature enables the “group” information retrieval from the authentication servers TACACS+, RADIUS, and LDAP, and adds another layer of security by adding a network-based authorization. It retrieves the “group” information from the authentication server and performs an authorization through ACS.

The following sections describe the procedures to configure TACACS+, RADIUS, and LDAP authentication servers, and the corresponding configuration process on ACS.

Configuring a TACACS+ authentication server

On the server, add “raccess” service to the user configuration and define which group or groups the user belongs to.

```
user = <username>{
    service = raccess{
        group_name = <Group1>[,<Group2>,....,GroupN>]
    }
}
```

On the ACS, edit the following parameters in the */etc/tacplus.conf* file.

```
authhost1=192.168.160.21
accthost1=192.168.160.21
secret=secret
encrypt=1
service=ppp
protocol=lcp
timeout=10
retries=2
```

authhost1: This address indicates the location of the TacacsPlus authentication server. A second TacacsPlus authentication server can be configured with the parameter *authhost2*.

accthost1: This address indicates the location of the TacacsPlus accounting server, which can be used to track how long users are connected after being authorized by the authentication server. Its use is optional. If this parameter is not used, accounting will not be performed. If the same server is used for authentication and accounting, both parameters must be filled with the same address. A second TacacsPlus accounting server can be configured with the parameter *accthost2*.

secret: This is the shared secret (password) necessary for communication between the ACS and the TacacsPlus servers.

encrypt: The default is 1 which means encryption is enabled. To disable encryption change the value to 0.

Authentication

service: The service that should be enabled. The default is ppp. If you are enabling another service, for example, “raccess” authorization on the TacacsPlus server, then it should be mentioned in this field on ACS.

protocol: The default is lcp (line control protocol). Specify another paramter if required.

timeout: This is the timeout (in seconds) for a TacacsPlus authentication query to be answered.

retries: Defines the number of times each TacacsPlus server is tried before another is contacted. The first server *authhost1* is tried for the specified number of times, before the second *authhost2*, if configured, is contacted and tried for the specified number of times. If the second server fails to respond TacacsPlus authentication fails.

Configuring the authorization on ACS to access the serial ports [CLI]

In CLI mode, enter the following string:

1. cli > config security authentication tacplusraccess **yes**
2. cli > config physicalports <serial port number> access users/groups <list of users or group names separated by commas>

Save the configuration to flash

3. cli > config > savetoflash

Configuring a RADIUS authentication server

On the server, edit */etc/raddb/users* and add a new string attribute (ATTRIBUTE Framed-Filter-Id) similar to the following example?

```
groupuser1  Auth-Type= Local, Password =”xxxx”  
            Service-Type=Callback-Framed-User,  
            Callback-Number=”305”,  
            Framed-Protocol=PPP,  
            Framed-Filter-  
            Id=”:group_name=<Group1>[,<Group2>,...,<GroupN>]”,  
            Fall-Through=No
```

If the Frame-Filter-Id already exists, just add the group_name to the string starting with a colon “:”

On the ACS, edit */etc/raddb/server*

format: *server[:port] secret [retries] [timeout]*

for example,

Authentication

```
auth1 172.20.0.2 cyclades 3 5
acct1 172.20.0.2 cyclades 3 5
```

Where,

server : The radius server address.

port: The *port* field is optional. The default port name is “radius” and is looked up through */etc/services*.

secret: The shared password required for communication between ACS and the Radius server.

retries: The number of times each Radius server is tried before another is contacted

timeout: The default is 3 seconds. The timeout field determines how long the system should wait before responding with a success or failure response from the authentication server.

Multiple radius servers can be configured in this file. The servers are tried in the order in which they appear. If a server fails to respond, the next configured server is tried.

Configuring the authorization on ACS to access the serial ports [CLI]

In CLI mode, enter the following string:

```
cli > config physicalports <serial port number> access users/groups <list of users or
group names separated by commas>
```

Save the configuration to flash

```
2. cli > config > savetoflash
```

Configuring an LDAP authentication server

On the server, edit the “info” attribute for the user and add the following syntax.

```
info: group_name=<Group1>[,<Group2>,...,<GroupN>];
```

Configuring the authorization on ACS to access the serial ports [CLI]

In CLI mode, enter the following string:

```
cli > config physicalports <serial port number> access users/groups <list of users or
group names separated by commas>
```

Save the configuration to flash

Authentication

2. cli > config > savetoflash

3.5 Linux-PAM

Linux-PAM (Pluggable Authentication Modules for Linux) is a suite of shared libraries that enable the local system administrator to choose how applications authenticate users. In other words, without (rewriting and) recompiling a PAM-aware application, it is possible to switch between the authentication mechanism(s) it uses. Indeed, one may entirely upgrade the local authentication system without touching the applications themselves.

It is the purpose of the Linux-PAM project to separate the development of privilege-granting software from the development of secure and appropriate authentication schemes. This is accomplished by providing a library of functions that an application may use to request that a user be authenticated. The PAM library has a series of configuration files located in */etc/pam.d/* to authenticate a user request via the locally available authentication modules. The modules themselves will usually be located in the directory */lib/security* and take the form of dynamically loadable object files.

The Linux-PAM authentication mechanism gives the system administrator the freedom to stipulate which authentication scheme is to be used. S/he has the freedom to set the scheme for any/all PAM-aware applications on your Linux system. That is, s/he can authenticate from anything as generous as simple trust (`pam_permit`) to something as severe as a combination of a retinal scan, a voice print and a one-time password!

Linux-PAM deals with four separate types of (management) task. These are: authentication management, account management, session management, and password management. The association of the preferred management scheme with the behavior of an application is made with entries in the relevant Linux-PAM configuration file. The management functions are performed by modules specified in the configuration file.

Following is a figure that describes the overall organization of Linux-PAM:

Authentication

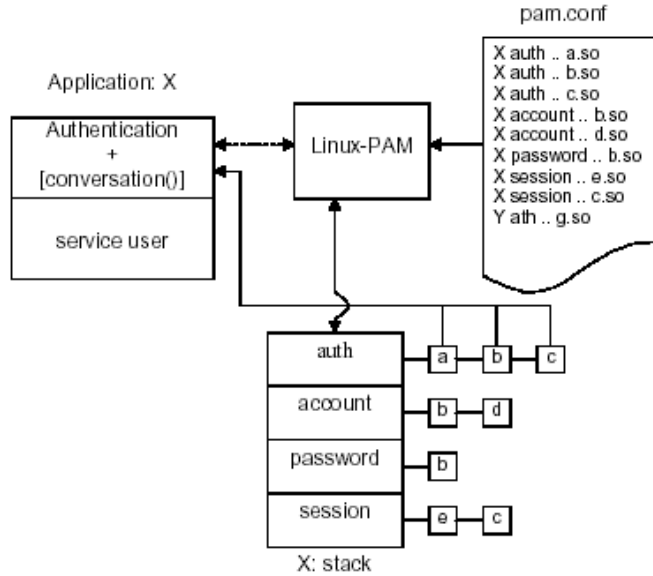


Figure 3.1 - Data flow diagram of Linux-PAM

The left of the figure represents the application: Application X. Such an application interfaces with the Linux-PAM library and knows none of the specifics of its configured authentication method. The Linux-PAM library (in the center) consults the contents of the PAM configuration file and loads the modules that are appropriate for Application X. These modules fall into one of four management groups (lower center) and are stacked in the order they appear in the configuration file. These modules, when called by Linux-PAM, perform the various authentication tasks for the application. Textual information, required from or offered to the user can be exchanged through the use of the application-supplied conversation function.

The Linux-PAM Configuration Directory

Linux-PAM is designed to provide the system administrator with a great deal of flexibility in configuring the privilege-granting applications of their system. The local configuration of those aspects of system security controlled by Linux-PAM is contained in the directory */etc/pam.d/*. In this section we discuss the correct syntax of and generic options respected by entries for the files in this directory.

Authentication

Configuration File Syntax

The reader should note that the Linux-PAM-specific tokens are case-insensitive. The module paths, however, are case-sensitive since they indicate a file's name and reflect the case-dependence of typical Linux file systems. The case-sensitivity of the arguments to any given module is defined for each module in turn.

In addition to the lines described below, there are two special characters provided for the convenience of the system administrator:

- # Comments are preceded by this character and extend to the next end-of-line.
- \ This character extends the configuration lines.

A general configuration line of a file in the */etc/pam.d/* directory has the following form:

```
filename module-type control-flag module-path arguments
```

The meaning of each of these tokens is explained below. After the meaning of the above tokens is explained, the method will be described.

Token	Description
File-name	The service name associated with the entry. For example, 'ftpd', 'rlogind', 'su', etc. There is a special service-name, reserved for defining a default authentication mechanism. It has the name 'OTHER' and may be specified in either lower or upper case characters. Note, when there is a module specified for a named service, the 'OTHER' entries are ignored.
Module-type	One of (currently) the four types of module. The four types are as follows: <ul style="list-style-type: none">• <i>Auth</i> - This module type provides two aspects of authenticating the user. First, it establishes that the user is who they claim to be, by instructing the application to prompt the user for a password or other means of identification. Second, the module can grant group membership, independently of the <i>/etc/groups</i>, or other privileges through its credential-granting properties.

Table 3.5: */etc/pam.d/* tokens description

Authentication

Token	Description
Module-type (cont.)	<ul style="list-style-type: none"> • <i>Account</i> - This module performs non-authentication-based account management. It is typically used to restrict or permit access to a service based on the time of day, currently available system resources (maximum number of users) or perhaps the location of the applicant user—‘root’ login only on the console. • <i>Session</i> - Primarily, this module is associated with doing things that need to be done for the user before or after they can be given service. Such things include the logging of information concerning the opening or closing of some data exchange with a user, mounting directories, etc. • <i>Password</i> - This last module type is required for updating the authentication token associated with the user. Typically, there is one module for each ‘challenge/response’ based authentication (auth) module-type.
Control-flag	<p>The control-flag is used to indicate how the PAM library will react to the success or failure of the module it is associated with. Since modules can be stacked (modules of the same type execute in series, one after another), the control-flags determine the relative importance of each module. The application is not made aware of the individual success or failure of modules listed in the <code>/etc/pam.d/</code> directory. Instead, it receives a summary of success or fail responses from the Linux-PAM library. The order of execution of these modules is that of the entries in the <code>/etc/pam.d/</code> directory: The control-flag can be defined with one of two syntaxes. The simpler (and historical) syntax for the control-flag is a single keyword defined to indicate the severity of concern associated with the success or failure of a specific module. There are four such keywords: <i>required</i>, <i>requisite</i>, <i>sufficient</i> and <i>optional</i>.</p>

Table 3.5: `/etc/pam.d/` tokens description

The Linux-PAM library interprets these keywords in the following manner:

Keyword	Description
Required	<p>This indicates that the success of the module is required for the module-type facility to succeed. Failure of this module will not be apparent to the user until all of the remaining modules (of the same module-type) have been executed.</p>

Table 3.6: `/etc/pam.d/` keywords description

Authentication

Keyword	Description
Requisite	This is similar to required. However, in the case that such a module returns a failure, control is directly returned to the application. The return value is that associated with the first required or requisite module to fail. Note that this flag can be used to protect against the possibility of a user getting the opportunity to enter a password over an unsafe medium. It is conceivable that such behavior might inform an attacker of valid accounts on a system. This possibility should be weighed against the significant concerns of exposing a sensitive password in a hostile environment.
Sufficient	The success of this module is deemed 'sufficient' to satisfy the Linux-PAM library that this moduletype has succeeded in its purpose. In the event that no previous required module has failed, no more 'stacked' modules of this type are invoked. (Note: in this case subsequent required modules are not invoked.) A failure of this module is not deemed as fatal to satisfying the application.
Optional	As its name suggests, this control-flag marks the module as not being critical to the success or failure of the user's application for service. In general, Linux-PAM ignores such a module when determining if the module stack will succeed or fail. However, in the absence of any definite successes or failures of previous or subsequent stacked modules this module will determine the nature of the response to the application. One example of this latter case is when the other modules return something like PAM_IGNORE.

Table 3.6: /etc/pam.d/ keywords description

Module Path

Module Path is the path-name of the dynamically loadable object file--the pluggable module itself. If the first character of the module path is '/', it is assumed to be a complete path. If this is not the case, the given module path is appended to the default module path: */lib/security*.

Currently, the ACS has the following modules available:

Module Name	Description
pam_access	Provides logdaemon style login access control.
pam_deny	Deny access to all users.

Table 3.7: Available PAM modules in the ACS

Authentication

Module Name	Description
pam_env	This module allows the (un)setting of environment variables. The use of previously set environment variables as well as PAM_ITEMS such as PAM_RHOST is supported.
pam_filter	This module was written to offer a plug-in alternative to programs like ttysnoop. Since a filter that performs this function has not been written, it is currently only a toy. The single filter provided with the module simply transposes upper and lower case letters in the input and output streams. (This can be very annoying and is not kind to termcap-based editors.)
pam_group	This module provides group settings based on the user's name and the terminal they are requesting a given service from. It takes note of the time of day.
pam_issue	This module presents the issue file (<i>/etc/issue</i> by default) when prompting for a username.
pam_lastlog	This session module maintains the <i>/var/log/lastlog</i> file. It adds an open entry when called via the <code>pam_open_session()</code> function and completes it when <code>pam_close_session()</code> is called. This module can also display a line of information about the last login of the user. If an application already performs these tasks, it is not necessary to use this module.
pam_limits	This module, through the Linux-PAM open-session hook, sets limits on the system resources that can be obtained in a user session. Its actions are dictated more explicitly through the configuration file discussed in <i>/etc/security/pam_limits.conf</i> .
pam_listfile	The listfile module provides a way to deny or allow services based on an arbitrary file.
pam_motd	This module outputs the motd file (<i>/etc/motd</i> by default) upon successful login.
pam_nologin	Provides standard Unix nologin authentication.
pam_permit	This module should be used with extreme caution. Its action is to always permit access. It does nothing else.
pam_radius	Provides Radius server authentication and accounting.
pam_rootok	This module is for use in situations where the superuser wishes to gain access to a service without having to enter a password.

Table 3.7: Available PAM modules in the ACS

Authentication

Module Name	Description
pam_securetty	Provides standard UNIX securetty checking.
pam_time	Running a well-regulated system occasionally involves restricting access to certain services in a selective manner. This module offers some time control for access to services offered by a system. Its actions are determined with a configuration file. This module can be configured to deny access to (individual) users based on their name, the time of day, the day of week, the service they are applying for and their terminal from which they are making their request.
pam_tacplus	Provides TacacsPlus Server authentication, authorization (account management), and accounting (session management).
pam_unix	This is the standard UNIX authentication module. It uses standard calls from the system's libraries to retrieve and set account information as well as authentication. Usually this is obtained from the <i>/etc/passwd</i> and the <i>/etc/shadow</i> file as well when shadow is enabled.
pam_warn	This module is principally for logging information about a proposed authentication or application to update a password.
pam_krb5	The Kerberos module currently used is pam_krb5. This PAM module requires the MIT 1.1+ release of Kerberos, or the Cygnus CNS distribution. It has not been tested against heimdal or any other Kerberos distributions. Important file: <i>/etc/krb5.conf</i> . The <i>krb5.conf</i> file contains Kerberos configuration information, including the locations of KDCs and admin servers for the Kerberos realms of interest, defaults for the current realm and for Kerberos applications, and mappings of hostnames onto Kerberos realms. Normally, you should install your <i>krb5.conf</i> file in the directory <i>/etc</i> . You can override the default location by setting the environment variable <i>KRB5_CONFIG</i> .
pam_ldap	<p>Pam_ldap looks for the ldap client configuration file "ldap.conf" in <i>/etc/</i>. Here's an example of the <i>ldap.conf</i> file (partial):</p> <pre> # file name: ldap.conf # This is the configuration file for the LDAP # nameservice # switch library and the LDAP PAM module. # Your LDAP server. Must be resolvable without using # LDAP. host 127.0.0.1 # The distinguished name of the search base. base dc=padl,dc=com </pre>

Table 3.7: Available PAM modules in the ACS

Authentication

Arguments

The arguments are a list of tokens that are passed to the module when it is invoked. They are much like arguments to a typical Linux shell command. Generally, valid arguments are optional and are specific to any given module. Invalid arguments are ignored by a module, however, when encountering an invalid argument, the module is required to write an error to `syslog(3)`.

The following are optional arguments which are likely to be understood by any module. Arguments (including these) are in general, optional.

Arguments	Description
<code>debug</code>	Use the <code>syslog(3)</code> call to log debugging information to the system log files.
<code>no_warn</code>	Instruct module to not give warning messages to the application.
<code>use_first_pass</code>	The module should not prompt the user for a password. Instead, it should obtain the previously typed password (from the preceding auth module), and use that. If that doesn't work, then the user will not be authenticated. (This option is intended for auth and password modules only).
<code>try_first_pass</code>	The module should attempt authentication with the previously typed password (from the preceding auth module). If that doesn't work, then the user is prompted for a password. (This option is intended for auth modules only).
<code>use_mapped_pass</code>	This argument is not currently supported by any of the modules in the Linux-PAM distribution because of possible consequences associated with U.S. encryption exporting restrictions.

Table 3.8: List of valid arguments to PAM

Authentication

Arguments	Description
expose_account	<p>In general, the leakage of some information about user accounts is not a secure policy for modules to adopt. Sometimes information such as user names or home directories, or preferred shell, can be used to attack a user's account. In some circumstances, however, this sort of information is not deemed a threat: displaying a user's full name when asking them for a password in a secured environment could- also be called being 'friendly'. The expose_account argument is a standard module argument to encourage a module to be less discrete about account information as deemed appropriate by the local administrator. Any line in (one of) the configuration file(s), that is not formatted correctly will generally tend (erring on the side of caution) to make the authentication process fail. A corresponding error is written to the system log files with a call to syslog(3).</p>

Table 3.8: List of valid arguments to PAM

3.6 Shadow Passwords

The default `/etc/passwd` file has the user “root” with password “tslinux”. You should change the password for user “root” as soon as possible.

The AlterPath ACS has support for Shadow Passwords, which enhances the security of the system authentication files.

For ACS release 2.6, Shadow Passwords are enabled by default. If you are upgrading from release 2.3.0-2 (or earlier), a previous configuration is detected and the translation from `/etc/passwd` to `/etc/shadow` happens automatically.

Authentication

3.7 Certificate for HTTP Security

The following procedure enables you to obtain a Signed Digital Certificate. A certificate for the HTTP security is created by a CA (Certificate Authority). Certificates are most commonly obtained through generating public and private keys using a public key algorithm like RSA or X.509. The keys can be generated by using a key generator software.

Procedure

Step 1 - Enter OpenSSL command.

On a Linux computer, key generation can be done using the OpenSSL package, through the following command:

```
# openssl req -new -nodes -keyout private.key -out public.csr
```

If this command is used, the following information is required:

Parameter	Description
Country Name (2 letter code) [AU]:	The country code consisting of two letters.
State or Province Name (full name) [Some-State]:	Provide the full name (not the code) of the state.
Locality Name (e.g., city) []:	Enter the name of your city.
Organization Name (e.g., company) [Internet Widgits Ltd]:	Organization that you work for or want to obtain the certificate for.
Organizational Unit Name (e.g., section) []:	Department or section where you work.
Common Name (e.g., your name or your server's hostname) []:	Name of the machine where the certificate must be installed.
Email Address []:	Your email address or the administrator's email address.

Table 3.9: Required information for the OpenSSL package

The other requested information can be skipped.

The certificate signing request (CSR) generated by the command above contains some personal (or corporate) information and its public key.

Step 2 - Submit CSR to the CA.

Authentication

The next step is to submit the CSR and some personal data to the CA. This service can be requested by accessing the CA Web site and is not free. There is a list of CAs at the following URL

pki-page.org

The request will be analyzed by the CA, for policy approval and to be signed.

Step 3 - Upon receipt, install certificate.

After the approval, the CA will send a certificate file to the origin, which we will call `Cert.cer`, for example purposes. The certificate is also stored on a directory server.

The certificate must be installed in the GoAhead Web server, by following these instructions:

Step 3.1 - Open a Terminal Server session and do the login.

Step 3.2 - Join the certificate with the private key into the file `/web/server.pem`.

```
#cat Cert.cer private.key > /web/server.pem
```

Step 3.3 - Copy the certificate to the file `/web/cert.pem`.

```
#cp Cert.cer /web/cert.pem
```

Step 3.4 - Include the files `/web/server.pem` and `/web/cert.pem` in `/etc/config_files`.

Step 3.5 - Save the configuration in flash.

```
#saveconf
```

The certification will be effective in the next reboot.

Authentication

3.8 User Configured Digital Certificate

ACS generates its own self-signed SSL certificate for HTTPS using OpenSSL. It is highly recommended that you use the “openssl” tool to generate a self-signed certificate and replace the ACS generated certificate.

Follow the below procedure to generate a self-signed certificate.

Step 1 - Open the `/etc/req_key` file and update the user data with your organization specific data.

```
# vi /etc/req_key
[ req ]
default_bits           = 1024
distinguished_name     = cyclades
prompt                 = no
x509_extensions        = x509v3

[ cyclades ]
C                     = US
ST                    = CA
L                     = Fremont
O                     = Cyclades Corporation
OU                    = R&D
CN                    = www.cyclades.com
emailAddress          = support@cyclades.com

[ x509v3 ]
subjectKeyIdentifier   = hash
authorityKeyIdentifier = keyid:always,issuer:always
basicConstraints       = CA:true
nsComment              = "This is just a TEST certificate. Don't use it
for rea
nsCertType             = server, sslCA
```

Step 2 - Remove the files `/etc/ca/*.pem`

Step 3 - Execute the following script.

```
# /bin/firstkssl.sh
```

Step 4 - Reboot ACS or restart the Web Manager.

3.9 X.509 Certificate on SSH

The OpenSSH software included with ACS has support for X.509 certificates. The administrator must activate and configure the SSH to use X.509. In order to implement authentication of SSH sessions through exchange of X.509 certificates, the following configuration is required.

Step 1 - The certificates signed and issued by CA (Certification Authority) should be loaded on both user and the client. See the procedures in section 3.7 on how to obtain and install signed digital certificates.

Step 2 - Client Identification extracted by OpenSSL command from the client's certificate, and added to the AuthorizedKeyFile in sshd_config file.

Step 2.1 - Use the following command to extract the client identification

```
#openssl x509 -noout -subject -in cli_cert.crt
```

Step 2.2 - Change "subject=" to "x509v3-sign-rsa distinguishednameE:" in the result and append to AuthorizedKeysFile in "sshd_config" file in ACS.

Step 3 - Upload hostkey to ACS in /etc/ssh directory.

To configure X.509 certificate for SSH

vi Mode

Step 1 - Edit /etc/ssh/sshd_config file

Step 2 - Uncomment or modify the following lines to read as follows.

```
AllowedCertPurpose sslclient  
CACertificateFile /etc/ssh/ca/ca-bundle.crt  
HostKey /etc/ssh/hostkey  
ChallengeResponseAuthentication no  
HostbasedAuthentication no  
StrictModes no  
PasswordAuthentication no  
PubkeyAuthentication yes  
RhostsRSAAuthentication no  
RSAAuthentication no  
UsePrivilegeSeparation yes
```

Authentication

Step 3 - Restart SSH

CLI Mode

Step 1 - Enter the CLI mode

```
[root@CAS etc]# CLI
```

Step 2 - Enter the following string at the cli> prompt

```
cli>config network profile custom ssh_x509
```

At the ssh_x509> prompt, enter the following strings.

```
ssh_x509>CA_file <path and filename of CA certificate>  
ssh_x509>hostkey <path and filename of hostkeys>  
ssh_x509>authorizedkeys <path and filename of authorized keys>
```

For example:

```
ssh_x509>CA_file /etc/ssh/ca-bundle.crt  
ssh_x509>hostkey /etc/ssh/hostkey  
ssh_x509>authorizedkeys /etc/ssh/authorized_keys
```

To check the configuration, enter the following command at the prompt.

```
ssh_x509>show
```

The following information should appear.

```
[ssh_x509]  
CA_file: /etc/ssh/ca-bundle.crt  
hostkey: /etc/ssh/hostkey  
authorizedkeys: /etc/ssh/authorized_keys
```

Script Mode

Step 1 - Run the following “ssh_act_x509” script

```
[root@CAS root]# ssh_act_x509
```

The following message appears:

For X509 authentication, first you need to be sure that you had upload the CA certificate, the HostKey and added the proper Authorized Key.

Authentication

Step 2 - Enter the required information at each prompt.

```
AuthorizedKeysFile[/etc/ssh/authorized_keys]:  
CACertificateFile[/etc/ssh/ca/ca-bundle.crt]:  
HostKey[/etc/ssh/ssh_host_key]:
```

```
Do you want disable Password Authentication and accept only  
Certificates?(y/n)
```

Step 3 - Check the configuration in /etc/ssh/sshd_config file.

To connect to ACS using SSH X.509 certificate

Step 1 - Edit /etc/ssh/sshd_config file. See “To configure X.509 certificate for SSH”, if needed.

Step 2 - Configure the client you need to access with X.509 certificate

Step 3 - Copy the certificate files to ACS. See “Certificate for HTTP Security”, if needed.

To check if the file was copied, run the following command at the prompt.

```
[root@acs48 root]# ls -l /etc/ssh/ca/ca-bundle.crt
```

```
[root@acs48 root]# ls -l /etc/ssh/hostkey
```

To connect to ACS’s serial ports using SSH X.509 certificate

Step 1 - Edit /etc/ssh/sshd_config file. See “To configure X.509 certificate for SSH”, if needed.

Step 2 - Configure the client you need to access with X.509 certificate

Step 3 - Copy the certificate files to ACS. See “Certificate for HTTP Security”, if needed.

To check if the file was copied, run the following command at the prompt.

```
[root@acs48 root]# ls -l /etc/ssh/ca/ca-bundle.crt
```

```
[root@acs48 root]# ls -l /etc/ssh/hostkey
```


Authentication

Step 4 - Configure the serial ports for “socket_ssh” protocol and assign the IP address of the connected device.

Authentication

Chapter 4

Network

4.1 Introduction

This chapter will show important configuration settings regarding the network configuration or any feature related to it. The contents of this chapter is briefly presented below:

- [Basic Network Settings](#)
- [DHCP Client](#)
- [Routes and Default Gateway](#)
- [DNS Server and Domain Name](#)
- [Bonding](#)
- [Hosts](#)
- [TCP Keepalive](#)
- [Filters and Network Address Translation](#)
- [VPN Configuration](#)

4.2 Basic Network Settings

This section will show how to configure basic network parameters. This includes configuration of ip addresses, netmasks and hostname.

Hostname

The most basic network related configuration is setting up a hostname. In the ACS this can be done editing the `/etc/hostname` file.

VI mode

The related file to this configuration is the `/etc/hostname`. To change the hostname, edit it and set the desired hostname.

```
[root@CAS etc]# vi /etc/hostname
CAS
```

File Description 4.1: /etc/hostname

Network

CLI Method - Hostname

Step 1 - Open the CLI interface by issuing the command:

```
# CLI
```

Step 2 - Set the hostname, where *<string>* is the desired hostname.

```
cli> config network hostsettings hostname <string>
```

Step 3 - Activate the configuration.

```
cli> config runconfig
```

Step 4 - Save the configuration.

```
cli> config savetoflash
```

Step 5 - Exiting the CLI mode.

To exit the CLI mode and return to ACS's shell, type the following command:

```
cli> quit
```

IP address and Netmask

This section will show how to configure the IP address and network mask in the unit. These settings can be made using both methods (VI and CLI).

VI mode

To set the IP address (if DHCP client is disabled) and the netmask it is necessary to edit the *conf.eth_ip* and *conf.eth_mask* parameters in the */etc/pslave/pslave.conf* file.

The example below will set 192.168.160.10 as IP address and 255.255.255.0 as mask. To do that follow the steps below:

Step 1 - Open the */etc/portslave/pslave.conf* file.

To change these parameters it is necessary to edit the */etc/portslave/pslave.conf* file:

```
# vi /etc/portslave/pslave.conf
```

Step 2 - Change parameters values.

Network

With the `/etc/portslave/pslave.conf` file opened search for the parameters described below and change their values according to your necessities:

```
conf.eth_ip      192.168.100.1
conf.eth_mask    255.255.255.0
.
.
.
conf.dhcp_client 0
```

File Description 4.2: /etc/portslave/pslave.conf

NOTE: To define a static IP address it is necessary to disable the DHCP client. Set to “zero” the value of the following line:

```
conf.dhcp_client 0
```

Step 3 - Activate the changes.

Execute the following command to activate the changes:

```
# runconf
```

Step 4 - Test the configuration

Now you will want to make sure that the ports have been set up properly. Ping the ACS from a remote machine. Using the Windows OS open a command prompt window, type in the following, and then press Enter:

```
# ping <IP assigned to the ACS by DHCP or you>
```

An example would be:

```
# ping 192.168.160.10
```

If you receive a reply, your ACS connection is OK. If there is no reply see [Appendix C - Cabling and Hardware Information](#).

Step 5 - Telnet to the server connected to the first port of the ACS. (This will only work if you selected `socket_server` or `socket_server_ssh` as your `all.protocol` parameter.)

While still in the DOS window, type the following and then press Enter:

```
# telnet <IP assigned to the ACS by DHCP or you> 7001
```

An example would be:

```
# telnet 192.168.160.10 7001
```

Network

If everything is configured correctly, a Telnet session should open on the server connected to port 1. If not, check the configuration, follow the above steps again, and check Appendix C - Software Upgrade and Troubleshooting.

Step 6 - Save the changes.

Execute the following command to save the configuration:

```
# saveconf
```

CLI Method - IP address

It is also possible to configure the IP address and netmask using the CLI interface. This example will set 192.168.160.10 as IP address and 255.255.255.0 as mask. To configure it, follow the steps below:

Step 1 - Open the CLI interface by issuing the command:

```
# CLI
```

Step 2 - Configuring the unit's IP address

```
cli> config network hostsettings primipaddress 192.168.160.10
```

Where 192.168.160.10 is the desired IP address.

Step 3 - Configuring unit's network mask address.

```
cli> config network hostsettings primsubnetmask 255.255.255.0
```

Where 255.255.255.0 is the desired subnet mask.

Step 4 - Activate the configuration.

```
cli> config runconfig
```

Step 5 - Save the configuration.

```
cli> config savetoflash
```

Step 6 - Exiting the CLI mode.

To exit the CLI mode and return to ACS's shell, type the following command:

```
cli> quit
```

4.3 DHCP Client

DHCP is a protocol that allows network administrators to assign IP addresses automatically to network devices. Without DHCP (or a similar protocol like BOOTP), each device would have to be manually configured. DHCP automatically sends a new IP address to a connected device when it is moved to another location on the network. DHCP uses the concept of a fixed time period during which the assigned IP address is valid for the device it was assigned for. This “lease” time can vary for each device. A short lease time can be used when there are more devices than available IP numbers. For more information, see RFC 2131.

VI mode

The DHCP client on the Ethernet Interface can be configured in two different ways, depending on the action the ACS should take in case the DHCP Server does not answer the IP address request:

1. No action is taken and no IP address is assigned to the Ethernet Interface (most common configuration):

Step 1 - In the */etc/portslave/pslave.conf* file set the global parameter *conf.dhcp_client* to 1.

Step 2 - Still in the *portslave.conf* file comment all other parameters related to the Ethernet Interface (*conf.eth_ip*, etc.).

Step 3 - Add the necessary options to the file */etc/network/dhcpd_cmd* (some options are described later in this session).

2. The ACS restores the last IP address previously provided in another boot and assigns this IP address to the Ethernet Interface. For the very first time the unit is powered ON, the IP address restored is 192.168.160.10 in case of failure in the DHCP. The unit goes out from the factory with DHCP enabled (*conf.dhcp_client* 2):

Step 1 - Set the global parameter *conf.dhcp_client* to 2.

Step 2 - Comment all other parameters related to the Ethernet Interface (*conf.eth_ip*, etc.).

Network

Step 3 - Add the following lines to the file `/etc/config_files` (from factory file already present in `/etc/config_files`):

```
/etc/network/dhcpd_cmd  
/etc/dhcpd-eth0.save
```

File Description 4.3: `/etc/config_files`

Step 4 - Add the option “-x” to the factory default content of the file `/etc/network/dhcpd_cmd`:

```
/sbin/dhcpd -l 3600 -x -c /sbin/handle_dhcp
```

File Description 4.4: `/etc/network/dhcpd_cmd`

NOTE: *From the factory, `/etc/network/dhcpd_cmd` already has such content.*

Step 5 - Add all other necessary options to the file `/etc/network/dhcpd_cmd` (some options are described later in this section).

In both cases if the IP address of the ACS or the default gateway are changed, the ACS will adjust the routing table accordingly.

Network

Files related to DHCP:

Command/File	Description
/bin/handle_dhcp	The script which is run by the DHCP client each time an IP address negotiation takes place.
/etc/network/dhccpd_cmd	Contains a command that activates the DHCP client (used by the cy_ras program). Its factory contents are: /bin/dhccpd -c /bin/handle_dhcp The options available that can be used on this command line are: <ul style="list-style-type: none">• -D - This option forces dhccpd to set the domain name of the host to the domain name parameter sent by the DHCP Server. The default option is to NOT set the domain name of the host to the domain name parameter sent by the DHCP Server.• -H - This option forces dhccpd to set the host name of the host to the hostname parameter sent by the DHCP Server. The default option is to NOT set the host name of the host to the hostname parameter sent by the DHCP Server.• -R - This option prevents dhccpd from replacing the existing /etc/resolv.conf file.

Table 4.1: DHCP related files and commands

NOTE. Do not modify the -c /bin/handle_dhcp option.

CLI Method - DHCP

Step 1 - Open the CLI interface by issuing the command:

```
# CLI
```

Step 2 - Activate/Deactivate DHCP in the unit.

```
cli> config network hostsettings dhcp <option>
```

Where possible values for <option> are: *yes* to activate DHCP or *no* to deactivate it.

Step 3 - Activate the configuration.

```
cli> config runconfig
```

Network

Step 4 - Save the configuration.

```
cli> config savetoflash
```

Step 5 - Exiting the CLI mode.

To exit the CLI mode and return to ACS's shell, type the following command:

```
cli> quit
```

Network

4.4 Routes and Default Gateway

The ACS has a static routing table that can be seen using the commands:

```
# route
```

or

```
# netstat -rn
```

The file `/etc/network/st_routes` is the ACS method for configuring static routes. Routes should be added to the file (which is a script run when the ACS is initialized) or at the prompt (for temporary routes) using the following syntax:

```
route [add|del] [-net|-host] target netmask nt_msk [gw gt_way] interf
```

Action/Option	Description
[add del]	One of these tags must be present. Routes can be either added or deleted.
[-net -host]	Net is for routes to a network and -host is for routes to a single host.
target	Target is the IP address of the destination host or network.
netmask nt_msk	The tag netmask and nt_mask are necessary only when subnetting is used, otherwise, a mask appropriate to the target is assumed. nt_msk must be specified in dot notation.
gw gt_way	Specifies a gateway, when applicable. gt_way is the IP address or hostname of the gateway.
interf	The interface to use for this route. Must be specified if a gateway is not. When a gateway is specified, the operating system determines which interface is to be used.

Table 4.2: Actions and options for the route command

The next lines will show how to configure the default gateway of the ACS .

VI mode

To add routes it is necessary to edit the `/etc/network/st_routes` file using the following syntax:

```
route [add|del] [-net|-host] target [netmask] mask [gw] gateway [metric] metric
```

Network

The below example will set the default gateway to the IP address 192.168.0.1. To configure it follow these steps:

Step 1 - Open the `/etc/network/st_routes` file using the VI editor.

To do this, run the command:

```
# vi /etc/network/st_routes
```

Step 2 - Inserting the default route.

Insert into this file the default route using one of the following commands:

```
# route add -net 0.0.0.0 netmask 0.0.0.0 gw 192.168.0.1
```

the same route can be added in the following way:

```
# route add default gw 192.168.0.1
```

To add a default route to the 192.168.0.1 IP address, just ONE of the above commands must be inserted into the file `/etc/network/st_routes`.

Step 3 - Save the changes made.

To save the changes run the following command:

```
# saveconf
```

CLI Method - Routes

Basically all configuration regarding the addition of static routes can be done accessing the following menu of the CLI interface:

```
cli> config network stroutes
```

The example below will show how to add a default gateway in the unit:

Step 1 - Open the CLI interface by issuing the command:

```
# CLI
```

Step 2 - Inserting the default route. The default gateway of the below example will be 192.168.0.1

```
cli> config network stroutes add default gateway 192.168.0.1
```

Step 3 - Activate the configuration.

```
cli> config runconfig
```

Network

Step 4 - Save the configuration.

```
cli> config savetoflash
```

Step 5 - Exiting the CLI mode.

To exit the CLI mode and return to ACS's shell, type the following command:

```
cli> quit
```

4.5 DNS Server and Domain Name

DNS server is a host that resolves host names in the network. This is related to the domain name of the unit, both configurations are made in the same file, so they will be presented together in this section.

VI mode

To set the DNS server and the domain name of your network edit the `/etc/resolv.conf` file. The below example will configure “cyclades.com” as domain and 192.168.0.2 as DNS. To configure it follow the steps below:

Step 1 - Open the `/etc/resolv.conf` file.

It is necessary to edit this file, to do this, run the command:

```
# vi /etc/resolv.conf
```

Step 2 - Configure the `/etc/resolv.conf` file

The syntax of this file must be as the following example:

<pre>domain cyclades.com #Domain name for the network nameserver 192.168.0.2 #DNS server for the network</pre>

File Description 4.5: `/etc/resolv.conf`

Step 3 - Save the configuration.

To save all changes made, run the command:

```
# saveconf
```

CLI Method - DNS and Domain Name

The example below will set up `cyclades.com` as domain name and 192.168.0.2 as DNS server of the ACS .

Step 1 - Open the CLI interface by issuing the command:

```
# CLI
```

Step 2 - Configuring `cyclades.com` as domain name.

```
cli> config network hostsettings domain cyclades.com
```

NOTE: *This parameter is disregarded when DHCP is enabled.*

Network

Step 3 - Configuring the primary DNS server IP address.

```
cli> config network hostsettings primdnsserver 192.168.0.2
```

NOTE: *This parameter is disregarded when DHCP is enabled.*

Step 4 - Activate the configuration.

```
cli> config runconfig
```

Step 5 - Save the configuration.

```
cli> config savetoflash
```

Step 6 - Exiting the CLI mode.

To exit the CLI mode and return to ACS's shell, type the following command:

```
cli> quit
```

4.6 Bonding

The ACS provides failover Ethernet bonding using a PCMCIA card as a second Ethernet port. Bonding enables redundancy for the Ethernet devices, using the standard Ethernet interface as the primary mode of access and one PCMCIA card as a secondary mode of access.

When bonding is enabled, both the Ethernet port and the PCMCIA cards are configured with the same IP address and the same MAC address. So the PCMCIA interface automatically takes the place of the standard Ethernet interface if any conditions prevent access to the ACS through the primary Ethernet port. When the standard interface regains functionality, it automatically assumes its role as the primary interface, and all connection sessions are kept up with no interruption.

VI mode

To set the failover Ethernet bonding, edit the */etc/bonding.opts* file. To configure it follow the steps below:

Step 1 - Open the */etc/bonding.opts* file.

It is necessary to edit this file, to do this, run the command:

```
# vi /etc/bonding.opts
```

Step 2 - Configure the */etc/bonding.opts* file

The syntax of this file must be as the following example:

```
enabled = < YES | NO > <--- make the bonding feature active if true and
inactive otherwise

miimon = <positive integer value> <--- this parameter is the interval,
in milliseconds, in which the active interface will be checked to see
if it is still communicating.

updelay = <positive integer value> <--- this parameter will define the
time, in milliseconds, that the system will wait to make the primary
interface active again after it has been detected as up.
```

File Description 4.6: /etc/bonding.opts

Step 3 - Save the configuration.

To save all changes made, run the command:

```
# saveconf
```


Network

CLI Method - Bonding

The example below will set up *cyclades.com* as domain name and 192.168.0.2 as DNS server of the ACS .

Step 1 - Open the CLI interface by issuing the command:

```
# CLI
```

Step 2 - Enter the bonding menu.

```
cli> config network hostsettings bonding
```

Step 3 - Enable failover bonding.

```
bonding> enabled yes
```

To disabled fail-over bonding, type the following command:

```
bonding> enabled no
```

NOTE: *This parameter is disregarded when DHCP is enabled.*

Step 4 - Configure the interval, in milliseconds, in which the active interface will be checked to see if it is still communicating.

```
bonding> miimon <positive integer value>
```

Step 5 - Configure the time, in milliseconds, that the system will wait to make the primary interface active again after it has been detected as up.

```
bonding> updelay <positive integer value>
```

Step 6 - Optionally, confirm values.

```
bonding> show
```

Network

A display similar to the following example appears:

```
bonding>show

[bonding]

enabled: no

miimon: 100

updelay: 200
```

File Description 4.7: Bonding Default Configuration

Step 7 - Activate the configuration.

```
cli> config runconfig
```

Step 8 - Save the configuration.

```
cli> config savetoflash
```

The failover is enabled.

Step 9 - Exiting the CLI mode.

To exit the CLI mode and return to ACS's shell, type the following command:

```
cli> quit
```

Step 10 - Check the bonding configuration

To check if the feature is active, execute the ifconfig command in the Linux shell.

```
[root@CAS /]# ifconfig
```

Network

```
[root@CAS /]# ifconfig

bond0    Link encap:Ethernet  HWaddr 00:60:2E:00:4F:97
         inet addr:172.20.0.131  Bcast:172.20.255.255  Mask:255.255.0.0
         UP BROADCAST RUNNING MASTER MULTICAST  MTU:1500  Metric:1
         RX packets:484130 errors:0 dropped:0 overruns:0 frame:0
         TX packets:234236 errors:0 dropped:0 overruns:0 carrier:0
         collisions:0 txqueuelen:0
         RX bytes:40453479 (38.5 MiB)  TX bytes:25311651 (24.1 MiB)

eth0     Link encap:Ethernet  HWaddr 00:60:2E:00:4F:97
         inet addr:172.20.0.131  Bcast:172.20.255.255  Mask:255.255.0.0
         UP BROADCAST RUNNING SLAVE MULTICAST  MTU:1500  Metric:1
         RX packets:237695 errors:0 dropped:0 overruns:0 frame:0
         TX packets:121503 errors:0 dropped:0 overruns:0 carrier:0
         collisions:0 txqueuelen:100
         RX bytes:19993021 (19.0 MiB)  TX bytes:14356423 (13.6 MiB)
         Base address:0xe00

eth1     Link encap:Ethernet  HWaddr 00:60:2E:00:4F:97
         inet addr:172.20.0.131  Bcast:172.20.255.255  Mask:255.255.0.0
         UP BROADCAST RUNNING NOARP SLAVE MULTICAST  MTU:1500  Metric:1
         RX packets:246435 errors:0 dropped:0 overruns:0 frame:0
         TX packets:112733 errors:0 dropped:0 overruns:0 carrier:0
         collisions:0 txqueuelen:100
         RX bytes:20460458 (19.5 MiB)  TX bytes:10955228 (10.4 MiB)
         Interrupt:9 Base address:0x300

lo       Link encap:Local Loopback
         inet addr:127.0.0.1  Mask:255.0.0.0
         UP LOOPBACK RUNNING  MTU:1500  Metric:1
         RX packets:0 errors:0 dropped:0 overruns:0 frame:0
         TX packets:0 errors:0 dropped:0 overruns:0 carrier:0
         collisions:0 txqueuelen:0
         RX bytes:0 (0.0 iB)  TX bytes:0 (0.0 iB)

[root@CAS /]#
```

After the failover is enabled, the bonded Ethernet interfaces are referred to as “bond0”. eth0 and eth1 in the above example, represents the two physical interfaces. To check which physical interface is the primary and which is the failover, look for the status “NOARP”. The interface which has the “NOARP” status - eth1 in the above case - is the failover. eth0 is sending and receiving packets, eth1 is in active and standby mode.

Network

IMPORTANT: If you have IP Filtering rules set before bonding is activated, the interface reference in the firewall IP filtering will be eth0. You need to change the interface to bond0 in order to reference the bonded interface.

For example, There is a rule to drop the SSH packets to access the ACS box with no Bonding:

```
[root@CAS /]# iptables -A INPUT -p tcp -dport 22 -i eth0 -j REJECT
```

If you activate Bonding you need to change the rule to reference the bonded interface:

```
[root@CAS /]# iptables -A INPUT -p tcp -dport 22 -i bond0 -j REJECT
```

For more information on setting up filters and structure of iptables, see “Filters and Network Address Translation” on page 121

Network

4.7 Hosts

This file should contain the IP address for the Ethernet interface and the same hostname that you entered in the `/etc/hostname` file. It may also contain IP addresses and host names for other hosts in the network. The file `/etc/hosts` is consulted before the DNS server and is used to convert a name into an IP address.

VI mode

To configure this file follow the steps below:

Step 1 - Open the `/etc/hosts` file.

To open the file, run the command:

```
# vi /etc/hosts
```

This file should also contain IP addresses and host names for other hosts in the network. The syntax of this file is the following:

127.0.0.1	localhost
192.168.160.10	CAS
192.168.160.2	dns-server

File Description 4.8: `/etc/hosts`

Enter as many hosts as necessary, following the above syntax.

Step 2 - Saving the configuration.

To save all the changes made, run the command:

```
# saveconf
```

CLI Method - Hosts

The example below will add a host named `test` with IP address `192.168.0.111` in the known hosts file of the ACS .

Step 1 - Open the CLI interface by issuing the command:

```
# CLI
```

Step 2 - Adding a host named `test` with IP address `192.168.0.111`.

```
cli> config network hosttable add hostip 192.168.0.111 name test
```

You can repeat this step as many times as necessary.

Network

Step 3 - Activate the configuration.

```
cli> config runconfig
```

Step 4 - Save the configuration.

```
cli> config savetoflash
```

Step 5 - Exiting the CLI mode.

To exit the CLI mode and return to ACS 's shell, type the following command:

```
cli> quit
```

4.8 TCP Keepalive

The objective of this feature is to allow the ACS to recognize when the socket client (SSH or Telnet) goes down without closing the connection properly. Currently, if this happens in a serial port the system administrator must close the connection manually or nobody else can access that port anymore.

How it works

The TCP engine of ACS will send a tcp keepalive message (ACK) to the client. If the maximum retry number is reached without an answer from the client, the connection is closed.

VI mode

The configuration is done in the file `/bin/init_proc_fs` using the linux proc filesystem.

```
# Enable TCP keepalive timer in ACS (six retries with ten seconds
# of interval from each other).

# keepalive interval when the client is answering

echo 20 > /proc/sys/net/ipv4/tcp_keepalive_time

# keepalive interval when the client is not answering.

echo 10 > /proc/sys/net/ipv4/tcp_keepalive_intvl

# number of retries

echo 6 > /proc/sys/net/ipv4/tcp_keepalive_probes

# Enable TCP keepalive timer (six retries with twenty seconds
# of interval from each other).

echo 20 > /proc/sys/net/ipv4/tcp_keepalive_time
echo 6 > /proc/sys/net/ipv4/tcp_keepalive_probes
```

File Description 4.9: /bin/init_proc_fs

CLI Method - TCP Keep Alive

Step 1 - .Open the CLI interface by issuing the command:

```
# CLI
```

Network

Step 2 - Configuring the pool interval (ms).

The command below will set a 50 ms pool interval.

```
cli>config physicalports all other tcpkeepalive 50
```

Step 3 - Activate the configuration.

```
cli> config runconfig
```

Step 4 - Save the configuration.

```
cli> config savetoflash
```

Step 5 - Exiting the CLI mode.

To exit the CLI mode and return to ACS 's shell, type the following command:

```
cli> quit
```


4.9 Filters and Network Address Translation

The Filter feature is available for firmware versions 2.1.0 and above; the Network Address Translation (NAT) feature is available for firmware versions 2.1.1 and above.

Description

IP filtering consists of blocking or not the passage of IP packets, based on rules which describe the characteristics of the packet, such as the contents of the IP header, the input/output interface, or the protocol. This feature is used mainly in firewall applications, which filter the packets that could crack the network system or generate unnecessary traffic in the network.

Network Address Translation (NAT) allows the IP packets to be translated from local network to global network, and vice-versa. This feature is particularly useful when there is demand for more IP addresses in the local network than available as global IP addresses. In the ACS, this feature will be used mainly for clustering (one “Master” Console server works as the interface between the global network and the “slave” Console servers).

The ACS uses the Linux utility *iptables* to set up, maintain and inspect both the filter and the NAT tables of IP packet rules in the Linux kernel. Besides filtering or translating packets, the *iptables* utility is able to count the packets which match a rule, and to create logs for specific rules.

Structure of the iptables

The *iptables* are structured in three levels: table, chain, and rule. A table can contain several chains, and each chain can contain several rules.

Table

The table indicates how the *iptables* will work. There are currently three independent tables supported by the *iptables*, but only two will be used:

- *filter*: This is the default table.
- *nat*: This table is consulted when a packet that creates a new connection is encountered.

Chain

Each table contains a number of built-in chains and may also contain user-defined chains. The built-in chains will be called according to the type of packet. User-defined chains will be called when a rule which is matched by the packet points to the chain. Each table has a particular set of built-in chains:

Network

for the filter table:

- INPUT - For packets coming into the box itself.
- FORWARD - For packets being routed through the box.
- OUTPUT - For locally-generated packets.

for the nat table:

- PREROUTING - For altering packets as soon as they come in.
- OUTPUT - For altering locally-generated packets as soon as they come in.
- POSTROUTING - For altering packets as they are about to go out.

Rule

Each chain has a sequence of rules. These rules contain:

- How the packet should appear in order to match the rule -> Some information about the packet is checked according to the rule, for example, the IP header, the input and output interfaces, the TCP flags and the protocol.
- What to do when the packet matches the rule -> The packet can be accepted, blocked, logged or jumped to a user-defined chain. For the nat table, the packet can also have its source IP address and source port altered (for the POSTROUTING chain) or have the destination IP address and destination port altered (for the PREROUTING and OUTPUT chain).

When a chain is analyzed, the rules of this chain are reviewed one-by-one until the packet matches one rule. If no rule is found, the default action for that chain will be taken.

Syntax

An iptables tutorial is beyond the scope of this manual. For more information on iptables, see the iptables man page (not included with the ACS) or the how-to: <http://www.netfilter.org> or <http://www.iptables.org>

The syntax of the iptables command is:

```
# iptables -command chain rule-specification [-t table] [options]
# iptables -E old-chain-name new-chain-name
```

where:

- *table* - Can be filter or nat. If the option -t is not specified, the filter table will be assumed.

Network

- *chain* - Is one of the following:
for *filter* table: INPUT, OUTPUT, FORWARD or a user-created chain.
for *nat* table: PREROUTING, OUTPUT, POSTROUTING or a user-created chain.

Command

Only one command can be specified on the command line unless otherwise specified below. For all the long versions of the command and option names, you need to use only enough letters to ensure that iptables can differentiate it from all other options.

Command	Description
-A --append	Append one or more rules to the end of the selected chain. When the source and/or destination names resolve to more than one address, a rule will be added for each possible address combination.
-D --delete	Delete one or more rules from the selected chain. There are two versions of this command. The rule can be specified as a number in the chain (starting at 1 for the first rule) or as a rule to match.
-R --replace	Replace a rule in the selected chain. If the source and/or destination names resolve to multiple addresses, the command will fail. Rules are numbered starting at 1.
-I --insert	Insert one or more rules in the selected chain as the given rule number. Thus if the rule number is 1, the rule or rules are inserted at the head of the chain. This is also the default if no rule number is specified.
-L --list	List all rules in the selected chain. If no chain is selected, all chains are listed. It is legal to specify the -Z (zero) option as well, in which case the chain(s) will be atomically listed and zeroed. The exact output is affected by the other arguments given.
-F --flush	Flush the selected chain. This is equivalent to deleting all the rules one-by-one.
-Z --zero	Zero the packet and byte counters in all chains. It is legal to specify the -L, --list (list) option as well, to see the counters immediately before they are cleared. (See above.)
-N --new-chain	New chain. Create a new user-defined chain by the given name. There must be no target of that name already.
-X --delete-chain	Delete the specified user-defined chain. There must be no references to the chain. If there are, you must delete or replace the referring rules before the chain can be deleted. If no argument is given, it will attempt to delete every non-built-in chain in the table.

Table 4.3: iptables commands options

Command	Description
-P --policy	Set the policy for the chain to the given target. Only non-user-defined chains can have policies, and neither built-in nor user-defined chains can be policy targets.
-E --rename-chain	Rename the user-specified chain to the user-supplied name. This is cosmetic, and has no effect on the structure of the table.
-h --help	Help. Gives a (currently very brief) description of the command syntax.

Table 4.3: iptables commands options

Rule Specification

The following parameters make up a rule specification (as used in the add, delete, insert, replace and append commands):

Parameter	Description
-p	- -protocol[!]protocol The protocol of the rule or of the packet to check. The specified protocol can be one of tcp, udp, icmp, or all, or it can be a numeric value, representing one of these protocols or a different one. A protocol name from <i>/etc/protocols</i> is also allowed. A "!" argument before the protocol inverts the test. The number zero is equivalent to all. Protocol all will match with all protocols and is taken as default when this option is omitted.
-s	- -source[!]address[/mask] Source specification. Address can be either a hostname, a network name, or a plain IP address. The mask can be either a network mask or a plain number, specifying the number of 1's at the left side of the network mask. Thus, a mask of 24 is equivalent to 255.255.255.0. A "!" argument before the address specification inverts the sense of the address. The flag - -src is a convenient alias for this option.
-d	- -destination[!]address[/mask] Destination specification. See the description of the -s (source) flag for a detailed description of the syntax. The flag - -dst is an alias for this option.

Table 4.4: iptables rules specifications

Network

Parameter	Description
-j	<p>-- jump target</p> <p>This specifies the target of the rule; i.e., what to do if the packet matches it. The target can be a user-defined chain (other than the one this rule is in), one of the special built-in targets which decide the fate of the packet immediately, or an extension (see EXTENSIONS below). If this option is omitted in a rule, then matching the rule will have no effect on the packet's fate, but the counters on the rule is incremental. The special built-in targets are :</p> <ul style="list-style-type: none"> • ACCEPT means to let the packet through. • DROP means to drop the packet on the floor. • QUEUE means to pass the packet to userspace (if supported by the kernel). • RETURN means stop traversing this chain and resume at the next rule in the previous (calling) chain. If the end of a built-in chain is reached or a rule in a built-in chain with target RETURN is matched, the target specified by the chain policy determines the fate of the packet.
-i	<p>--in-interface[!][name]</p> <p>Optional name of an interface via which a packet is received (for packets entering the INPUT and FORWARD chains). When the "!" argument is used before the interface name, the sense is inverted. If the interface name ends in a "+" then any interface which begins with this name will match. If this option is omitted, the string "+" is assumed, which will match with any interface name.</p>
-o	<p>--out-interface[!][name]</p> <p>Optional name of an interface via which a packet is going to be sent (for packets entering the FORWARD and OUTPUT chains). When the "!" argument is used before the interface name, the sense is inverted. If the interface name ends in a "+" then any interface which begins with this name will match. If this option is omitted, the string "+" is assumed, which will match with any interface name.</p>
[!]	<p>-f -fragment</p> <p>This means that the rule only refers to second and further fragments of fragmented packets. Since there is no way to tell the source or destination ports of such a packet (or ICMP type), such a packet will not match any rules which specify them. When the "!" argument precedes the "-f" flag, the rule will only match head fragments, or unfragmented packets.</p>
-c	<p>--set-counters PKTS BYTES</p> <p>This enables the administrator to initialize the packet and byte counters of a rule (during INSERT, APPEND, REPLACE operations).</p>

Table 4.4: iptables rules specifications

Parameter	Description
-v	- -verbose Verbose output. This option makes the list command show the interface address, the rule options (if any), and the TOS masks. The packet and byte counters are also listed, with the suffix 'K', 'M' or 'G' for 1000, 1,000,000 and 1,000,000,000 multipliers respectively (but see the -x flag to change this). For appending, insertion, deletion and replacement, this causes detailed information on the rule or rules to be printed.
-n	- -numeric Numeric output. IP addresses and port numbers will be printed in numeric format. By default, the program will try to display them as host names, network names, or services (whenever applicable).
-x	- -exact Expand numbers. Display the exact value of the packet and byte counters, instead of only the rounded number in K's (multiples of 1000) M's (multiples of 1000K) or G's (multiples of 1000M). This option is only relevant for the -L command.
- -line-numbers	When listing rules, add line numbers to the beginning of each rule, corresponding to that rule's position in the chain.

Table 4.4: iptables rules specifications

Match Extensions

Iptables can use extended packet matching modules. These are loaded in two ways: implicitly, when -p or - -protocol is specified, or with the -m or - -match option, followed by the matching module name; after these, various extra command line options become available, depending on the specific module.

Network

TCP Extensions

These extensions are loaded if the protocol specified is tcp or “-m tcp” is specified. It provides the following options:

TCP extension	Description
--source-port [!] [port[:port]]	Source port or port range specification. This can either be a service name or a port number. Inclusive range can also be specified, using the format port:port. If the first port is omitted, "0" is assumed; if the last is omitted, “65535” is assumed. If the second port is greater than the first they will be swapped. The flag - -sport is an alias for this option.
--destination-port [!] [port[:port]]	Destination port or port range specification. The flag - -dport is an alias for this option.
--tcp-flags [!] mask comp	Match when the TCP flags are as specified. The first argument is the flags which we should examine, written as a comma-separated list, and the second argument is a comma-separated list of flags which must be set. Flags are: SYN ACK FIN RST URG PSH ALL NONE. Hence the command iptables -A FORWARD -p tcp - -tcp-flags SYN,ACK,FIN,RST SYN will only match packets with the SYN flag set, and the ACK, FIN and RST flags unset.
[!] --syn	Only match TCP packets with the SYN bit set and the ACK and FIN bits cleared. Such packets are used to request TCP connection initiation; for example, blocking such packets coming in an interface will prevent incoming TCP connections, but outgoing TCP connections will be unaffected. It is equivalent to - -tcp-flags SYN,RST,ACK SYN. If the "!" flag precedes the "- -syn," the sense of the option is inverted.
--tcp-option [!] number	Match if TCP option set.

Table 4.5: TCP extensions

Network

UDP Extensions

These extensions are loaded if the protocol udp is specified or “-m udp” is specified. It provides the following options:

UDP extension	Description
--source-port [!] [port[:port]]	Source port or port range specification. See the description of the --source-port option of the TCP extension for details.
--destination-port [!] [port[:port]]	Destination port or port range specification. See the description of the --destination-port option of the TCP extension for details.

Table 4.6: UDP extensions

ICMP Extension

This extension is loaded if the protocol icmp is specified or “-m icmp” is specified. It provides the following option:

ICMP extension	Description
--icmp-type [!] typename	This allows specification of the ICMP type, which can be a numeric ICMP type, or one of the ICMP type names shown by the command: <code>iptables -p icmp -h</code>

Table 4.7: ICMP extensions

Multiport Extension

This module matches a set of source or destination ports. Up to 15 ports can be specified. It can only be used in conjunction with -m tcp or -m udp.

Multiport extension	Description
--source-port [port[,port]]	Match if the source port is one of the given ports.
--destination-port [port[,port]]	Match if the destination port is one of the given ports.
--port [port[,port]]	Match if the both the source and destination port are equal to each other and to one of the given ports.

Table 4.8: Multiport extensions

Network

Target Extensions

Iptables can use extended target modules. The following are included in the standard distribution.

LOG

Turn on kernel logging of matching packets. When this option is set for a rule, the Linux kernel will print some information on all matching packets (like most IP header fields) via the kernel log (where it can be read with `syslog-ng`).

LOG extension	Description
--log-level level	Level of logging (numeric or see <code>syslog.conf(5)</code>).
--log-prefix prefix	Prefix log messages with the specified prefix; up to 29 letters long, and useful for distinguishing messages in the logs.
--log-tcp-sequence	Log TCP sequence numbers. This is a security risk if the log is readable by users.
--log-tcp-options	Log options from the TCP packet header.
--log-ip-options	Log options from the IP packet header.

Table 4.9: LOG extensions

REJECT (filter table only)

This is used to send back an error packet in response to the matched packet: otherwise it is equivalent to DROP. This target is only valid in the INPUT, FORWARD and OUTPUT chains, and user-defined chains which are only called from those chains. Several options control the nature of the error packet returned:

LOG extension	Description
--reject-with type	The type given can be icmp-net-unreachable, icmp-host-unreachable, icmp-port-unreachable, icmp-proto-unreachable, icmp-net-prohibited or icmp-host-prohibited, which return the appropriate ICMP error message (port-unreachable is the default). The option echo-reply is also allowed; it can only be used for rules which specify an ICMP ping packet, and generates a ping reply. Finally, the option tcp-reset can be used on rules which only match the TCP protocol: this causes a TCP RST packet to be sent back. This is mainly useful for blocking ident probes which frequently occur when sending mail to broken mail hosts (which won't accept your mail otherwise).

Table 4.10: LOG extension

SNAT (NAT table only)

This target is only valid in the nat table, in the POSTROUTING chain. It specifies that the source address of the packet should be modified (and all future packets in this connection will also be mangled), and rules should cease being examined. It takes one option:

SNAT target	Description
--to-source <ipaddr>[-<ipaddr>][:port-port]	This can specify a single new source IP address, an inclusive range of IP addresses, and optionally, a port range (which is only valid if the rule also specifies -p tcp or -p udp). If no port range is specified, then source ports below 1024 will be mapped to other ports below 1024: those between 1024 and 1023 inclusive will be mapped to ports below 1024, and other ports will be mapped to 1024 or above. Where possible, no port alteration will occur.

Table 4.11: SNAT target

Network

DNAT (nat table only)

This target is only valid in the nat table, in the PREROUTING and OUTPUT chains, and user-defined chains which are only called from those chains. It specifies that the destination address of the packet should be modified (and all future packets in this connection will also be mangled), and rules should cease being examined. It takes one option:

DNAT target	Description
--to-destination <ipaddr>[-<ipaddr>][:port-port]	This can specify a single new destination IP address, an inclusive range of IP addresses, and optionally, a port range (which is only valid if the rule also specifies -p tcp or -p udp). If no port range is specified, then the destination port will never be modified.

Table 4.12: DNAT target

MASQUERADE (nat table only)

This target is only valid in the nat table, in the POSTROUTING chain. It should only be used with dynamically assigned IP (dialup) connections: if you have a static IP address, you should use the SNAT target. Masquerading is equivalent to specifying a mapping to the IP address of the interface the packet is going out on, but also has the effect that connections are forgotten when the interface goes down. This is the correct behavior when the next dialup is unlikely to have the same interface address (and hence any established connections are lost anyway). It takes one option:

Target	Description
--to-ports <port>[-<port>]	This specifies a range of source ports to use, overriding the default SNAT source port-selection heuristics (see above). This is only valid if the rule also specifies -p tcp or -p udp).

Table 4.13: Masquerade target

Network

REDIRECT (NAT table only)

This target is only valid in the nat table, in the PREROUTING and OUTPUT chains, and user-defined chains which are only called from those chains. It alters the destination IP address to send the packet to the machine itself (locally-generated packets are mapped to the 127.0.0.1 address). It takes one option:

Target	Description
--to-ports <port>[-<port>]	This specifies a range of source ports to use, overriding the default SNAT source port-selection heuristics (see above). This is only valid if the rule also specifies -p tcp or -p udp).

Table 4.14: Redirect target

How to configure it

The file with the iptables rules is */etc/network/firewall*. The fwset script saves the iptables rules in the file */etc/network/firewall* (command `iptables-save > /etc/network/firewall`) and then save the file in the flash memory. The fwset restore restores the iptables rules previously saved in */etc/network/firewall* file (command `iptables-restore </etc/network/firewall`). This command is executed at boot to invoke the last configuration saved.

VI method

Step 1 - Execute fwset restore.

This script will restore the IP Tables chains and rules configured in the */etc/network/firewall* file. This script can be called in the process, whenever the user wants to restore the original configuration.

Step 2 - Add the chains and rules using the command line.

See details of the iptables syntax earlier in this chapter.

Step 3 - Execute `iptables-save > /etc/network/firewall`.

This program will save all the rules and chains of all the tables in the */etc/network/firewall* file.

Step 4 - Execute `updatefiles /etc/network/firewall`.

This program will save the configuration to the flash memory.

4.10 VPN Configuration

The IPSec protocol provides encryption and authentication services at the IP level of the network protocol stack. Working at this level, IPSec can protect any traffic carried over IP, unlike other encryption which generally protects only a particular higher-level protocol (PGP for mail, SSH for login, SSL for Web work and so on). The implementation of IPSec used by the ACS is Openswan 2.3.0.

IPsec can be used on any machine which does IP networking. Dedicated IPsec gateway machines can be installed wherever required to protect traffic. IPsec can also run on routers, on firewall machines, on various application servers, and on end-user desktop or laptop machines.

IPsec is used mainly to construct a secure connection (tunnel) between two networks (ends) over a not-necessarily-secure third network. In our case, the IPsec will be used to connect the ACS securely to a host or to a whole network configurations frequently called host-to-network and host-to-host tunnel. Considering practical aspects, this is the same thing as a VPN, but here one or both sides have a degenerated subnet (only one machine).

Applications of IPsec

Because IPsec operates at the network layer, it is remarkably flexible and can be used to secure nearly any type of Internet traffic.

Two applications, however, are extremely widespread:

- A Virtual Private Network, or VPN, allows multiple sites to communicate with the Console Server securely over an insecure Internet by encrypting all communication between the sites and the Console Server.
- Road Warriors connect to the Console Server from home, or perhaps from a hotel somewhere.

A somewhat more detailed description of each of these applications is below. Our Quick Start section will show you how to build each of them.

Using secure tunnels to create a VPN

A VPN, or Virtual Private Network lets the Console Server and a whole network communicate securely when the only connection between them is over a third network which is not trustable. The method is to put a security gateway machine in the network and create a security tunnel between the Console Server and this gateway. The gateway machine and the Console Server encrypt packets entering the untrusted net and decrypt packets leaving it, creating a secure tunnel through it.

Network

Road Warriors

The prototypical Road Warrior is a traveler connecting to the Console Server from a laptop machine. For purposes of this document:

- Anyone with a dynamic IP address is a Road Warrior.
- Any machine doing IPsec processing is a gateway. Think of the single-user Road Warrior machine as a gateway with a degenerate subnet (one machine: itself) behind it.

These require a somewhat different setup than VPN gateways with static addresses and with client systems behind them, but are basically not problematic. There are some difficulties which appear for some Road Warrior connections:

- Road Warriors who get their addresses via DHCP may have a problem. Openswan can quite happily build and use a tunnel to such an address, but when the DHCP lease expires, Openswan does not know that. The tunnel fails, and the only recovery method is to tear it down and rebuild it.
- If Network Address Translation (NAT) is applied between the two IPsec Gateways, this breaks IPsec. IPsec authenticates packets on an end-to-end basis, to ensure they are not altered en route. NAT rewrites packets as they go by.

In most situations, however, Openswan supports Road Warrior connections just fine.

Before you start

This is a quick guide to set up two common configurations: VPN and Road Warrior. There are two examples: a Road Warrior using RSA signature and a VPN using RSA signature. When listing the configuration of the remote side (the equipment the ACS will create a tunnel with) these examples will assume the other end is also running the Openswan. If it is not your case, make the appropriate conversions for your IPsec software.

Setup and test networking. Before trying to get Openswan working, you should configure and test IP networking on the Console Server and on the other end. IPsec can not function without a working IP network beneath it. Many reported Openswan problems turn out to actually be problems with routing or firewalling. If any actual IPsec problems turn up, you often cannot even recognize them (much less debug them) unless the underlying network is right.

Enabling IPsec on your ACS. The IPsec is disabled by default in the Console Server family. To enable it you must edit the file `/etc/daemon.d/ipsec.sh` change “ENABLE=NO” to “ENABLE=YES” and run the “*saveconf*” command. To start IPSEC, type “*daemon.sh restart IPSEC*” <enter>. IPSEC will start automatically during subsequent reboots if you have saved `/etc/daemon.d/ipsec.sh` with “*saveconf*”.

Network

"Road Warrior" configuration

Think about the administrator that wants to access the ACS securely from wherever he is, from his office desk, from his house, or from the hotel room. His IP address will not be always the same, so, for IPsec purposes, he is a "Road Warrior." We refer to the remote machines as Road Warriors. For purposes of IPsec, anyone with a dynamic IP address is a Road Warrior.

Necessary Information

To set up a Road Warrior connection, you need some information about the system on the other end. Connection descriptions use left and right to designate the two ends. We adopt the convention that, from the Console Server's point of view, left=local and right=remote. The Console Server administrator needs to know some things about each Road Warrior:

- The system's public key (for RSA only).
- The ID that system uses in IPsec negotiation.

To get system's public key in a format suitable for insertion directly into the Console Server's *ipsec.conf* file, issue this command on the warrior machine:

```
# /usr/local/sbin/ipsec showhostkey --right
```

The output should look like this (with the key shortened for easy reading):

```
rightrsasigkey=AQNe6hpbROGVES6uXeCxpnd88fdafp00w50T0s1LgR7/oUM...
```

The Road Warrior needs to know:

- The Console Server's public key or the secret, and
- The ID the Console Server uses in IPsec negotiation.

which can be generated by running:

```
# /usr/local/sbin/ipsec showhostkey --left
```

on the Console Server. Each warrior must also know the IP address of the Console Server. This information should be provided in a convenient format, ready for insertion in the warrior's *ipsec.conf* file. For example:

```
# left=1.2.3.4 leftid=@acs.example.com leftrsasigkey=0s1LgR7/oUM...
```

The Console Server administrator typically needs to generate this only once. The same file can be given to all warriors.

Network

Setup on the "Road Warrior" machine

Simply add a connection description us-to-Console Server, with the left and right information you gathered above to the *ipsec.conf* file of the warrior system. This might look like:

```
# pre-configured link to Console Server
conn us-to-acs

    # information obtained from Console Server admin
    left=1.2.3.4 # Console Server IP address
    leftid=@acs.example.com
    # real keys are much longer than shown here
    lefttrsasigkey=0s1LgR7/oUM...
    # warrior stuff
    right=%defaultroute
    rightid=@xy.example.com
    righttrsasigkey=0s1LgR7/oUM
    # Start this connection when IPsec starts
    auto=start
```

File Description 4.1: Road Warrior ipsec.conf file

IMPORTANT! *The connection name line: "conn us-to-acs" must start on the FIRST column of the line. All other lines after that line must be indented by 1 TAB. This is MANDATORY.*

Network

Setup on the ACS

Adding Road Warrior support so people can connect remotely to your Console Server is straightforward. Just create the file `/etc/warrior.connection` and add the following lines to this file:

```
conn gate-by
  left=1.2.3.4
  leftid=@acs.example.com
  leftrsasigkey=0s1LgR7/oUM...
  # allow connection attempt from any address
  # attempt fails if caller cannot authenticate
  right-angle
  # authentication information
  rightid=@xy.example.com
  rightrsasigkey=0s1LgR7/oUM...
  # Add this connection to the database when IPsec starts
  autoload
```

File Description 4.2: ACS ipsec.conf file

IMPORTANT! *The connection name line: "conn gate-xy" must start on the FIRST column of the line. All other lines after that line must be indented by 1 TAB. This is MANDATORY.*

VPN configuration

Often it may be useful to have explicitly configured IPsec tunnels between the Console Server and a gateway of an office with a fixed IP address (in this case every machine on the office network would have a secure connection with the Console Server), or between the Console Server and the Console Server administrator machine, which must, in this case, have a fixed IP address.

To do it just insert this connection description in your `ipsec.conf` file with the variables that fit your environment:

```
# sample tunnel
# The network here looks like:
# ACS ---acsnexthop.....rightnexthop----right====rightsubnet
# If ACS and right are on the same Ethernet, omit leftnexthop and
# rightnexthop.
conn sample
    # ACS
    left=10.0.0.1
    leftid=@acs.example.com
    # next hop to reach right
    leftnexthop=10.44.55.66
    # This line is only for RSA signature
    leftrsasigkey=0s1LgR7/oUM...
    # right s.g., subnet behind it, and next hop to reach left
    right=10.12.12.1
    rightid=@xy.example.com
    rightnexthop=10.88.77.66
    rightsubnet=192.168.0.0/24
    # Start this connection when IPsec starts
    auto=start
    # This line is for RSA signature
    rightrrsasigkey=0s1LgR7/oUM...
```

File Description 4.3: Sample of the ipsec.conf file

IMPORTANT! *The connection name line: "conn sample" must start on the FIRST column of the line. All other lines after that line must be indented by 1 TAB. This is MANDATORY.*

TIP. *There is an alternative way to configure the left and right ipsec rsa keys. Instead of typing (copy/paste) the entire rsa key in the fields: leftrsasigkey and rightrrsasigkey inside the /etc/ipsec.conf file, the administrator can just type in the filename where the rsa key was generated. Example:*

`leftrsasigkey=@file /etc/ACS48AL.lrsa`

Network

The keyword @file and at least one space must precede the filename. Do not forget to include the path of the files containing the RSA keys in the /etc/config_files file.

The good part is that this connection descriptor can be added to both the Console Server and the other end. This is the advantage of using left and right instead of using local remote parameters.

If you give an explicit IP address for left (and left and right are not directly connected), then you must specify leftnextthop (the router which Console Server sends packets to in order to get them delivered to right). Similarly, you may need to specify rightnextthop (vice versa).

Authentication Keys

To build a connection, the Console Server and the other end must be able to authenticate each other. For Openswan, the default is public key authentication based on the RSA algorithm. IPsec does allow several other authentication methods. On this chapter you will learn how to generate authentication keys and how to exchange keys between systems.

Generating an RSA key pair. The Console Server doesn't have an RSA key pair by default. It will be generated on the first reboot after you have enabled the IPsec daemon in the file */etc/daemon.d/ipsec.sh*. You also can generate your key pair by issuing the following commands as root:

```
# /usr/local/sbin/ipsec newhostkey --bits <key length> --output /etc/ipsec.secrets
# chmod 600 /etc/ipsec.secrets
```

Key generation may take some time. In addition, the Console Server needs a lot of random numbers and therefore needs and uses traffic on the Ethernet to generate them. It is also possible to use keys in other formats, not generated by Openswan. This may be necessary for interoperation with other IPsec implementations.

Exchanging authentication keys. Once your ACS 's key is in *ipsec.secrets*, the next step is to send your public key to everyone you need to set up connections with and collect their public keys. To extract the public part in a suitable format you can use the *ipsec_showhostkey* command. For VPN or Road Warrior applications, use one of the following:

If your ACS is the left side of the tunnel:

```
# /usr/local/sbin/ipsec showhostkey --left
```

Network

If your ACS is the right side of the tunnel:

```
# /usr/local/sbin/ipsec showhostkey --right
```

These two produce the key formatted for insertion in an `ipsec.conf` file. Public keys need not be protected as fanatically as private keys. They are intended to be made public; the system is designed to work even if an enemy knows all the public keys used. You can safely make them publicly accessible. For example, put a gateway key on a Web page or make it available in DNS, or transmit it via an insecure method such as email.

IPsec Management

After you have all the configuration done you need to manage all tunnels and manage IPsec itself. This section will show you a few commands that have proven to be useful when managing IPsec and IPsec connections.

The IPsec Daemon

The IPsec daemon (PLUTO) is the program that loads and negotiates the connections. To start the IPsec daemon use the following command:

```
# /usr/local/sbin/ipsec setup --start
```

Similarly, this command accepts the usual daemon commands as `stop` and `restart`.

The ipsec daemon is automatically initialized when you boot your Console Server equipment.

NAT-Transversal

ACS 2.6 uses Openswan 2.3.0, which has support for NAT-Transversal. NAT-T allows IPsec to be used behind any NAT device by encapsulating ESP (Encapsulated Security Payload) in UDP.

Add the following line to `/etc/ipsec.conf` file to enable NAT-Transversal.

```
nat_transversal=yes
```

Network

Adding and Removing a Connection

All the connections can be loaded to the IPsec database at boot time if these connections have the *auto* parameter set to *add*. However if a certain connection doesn't have this option set and you wish to add this connection manually you can use the following command:

```
# /usr/local/sbin/ipsec auto --add <connection name>
```

Similarly, to take a connection out of the IPsec database you can use the command:

```
# /usr/local/sbin/ipsec auto --delete <connection name>
```

Once a connection descriptor is in the IPsec internal database, IPsec will accept the other end to start the security connection negotiation. You can also start its negotiation as explained in the next section.

Starting and Stopping a Connection

All the connections can be negotiated at boot time if these connections have the *auto* parameter set to *start*. However if a certain connection doesn't have this option set, you can set it. Once a connection descriptor is in the IPsec internal database, you can start its negotiation using the command:

```
# /usr/local/sbin/ipsec auto --up <connection name>
```

Similarly to close a tunnel you use the command:

```
# /usr/local/sbin/ipsec auto --down <connection name>
```

Below you can see the output of a successful up operation:

```
[root@acs_cas root]# ipsec auto --up test
104 "test" #5: STATE_MAIN_I1: initiate
106 "test" #5: STATE_MAIN_I2: sent MI2, expecting MR2
108 "test" #5: STATE_MAIN_I3: sent MI3, expecting MR3
004 "test" #5: STATE_MAIN_I4: ISAKMP SA established
112 "test" #6: STATE_QUICK_I1: initiate
004 "test" #6: STATE_QUICK_I2: sent QI2, IPsec SA established
```

Network

IPsec whack

The ipsec whack command show the status of the connections.

```
[root@acs_cas root]# ipsec whack --status
000 interface ipsec0/eth0 64.186.161.96
000
000 "test": 64.186.161.96[@micro]...64.186.161.128[@ACS ]
000 "test": ike_life: 3600s; ipsec_life: 28800s; rekey_margin: 540s;
rekey_fuzz: 100%; keyingtries: 0
000 "test": policy: RSASIG+ENCRYPT+TUNNEL+PFS; interface: eth0; routed
000 "test": newest ISAKMP SA: #5; newest IPsec SA: #6; route owner: #6
000
000 #6: "test" STATE_QUICK_I2 (sent QI2, IPsec SA established);
EVENT_SA_REPLACE in 28245s; newest IPSEC; route owner
000 #6: "test" esp.4e1a10ce@64.186.161.128 esp.a99f2a63@64.186.161.96
tun.1006@64.186.161.128 tun.1005@64.186.161.96
000 #5: "test" STATE_MAIN_I4 (ISAKMP SA established); EVENT_SA_REPLACE in
3019s; newest ISAKMP
```

As you can see, it shows almost the same information shown by the ipsec auto -up command. You can use this command if the up command doesn't show anything on the screen (it can happen depending on the ACS syslog configuration).

The IPsec Configuration Files in Detail

This section will describe the file */etc/ipsec.conf* in detail.

Description

The *ipsec.conf* file specifies most configuration and control information for the Openswan IPsec subsystem. (The major exception is secrets for authentication; *ipsec.secrets*) Its contents are not security-sensitive unless manual keying is being done for more than just testing, in which case the encryption and authentication keys in the descriptions for the manually-keyed connections are very sensitive (and those connection descriptions are probably best kept in a separate file, via the include facility described below).

The file is a text file, consisting of one or more sections. White space followed by # followed by anything to the end of the line is a comment and is ignored, as are empty lines which are not within a section.

Network

A line which contains include and a file name, separated by white space, is replaced by the contents of that file, preceded and followed by empty lines. If the file name is not a full pathname, it is considered to be relative to the directory containing the including file. Such inclusions can be nested. Only a single filename may be supplied, and it may not contain white space, but it may include shell wildcards for example:

```
include ipsec.*.conf
```

The intention of the include facility is mostly to permit keeping information on connections, or sets of connections, separate from the main configuration file. This permits such connection descriptions to be changed, copied to the other security gateways involved, etc., without having to constantly extract them from the configuration file and then insert them back into it. Note the also parameter (described below) which permits splitting a single logical section (e.g., a connection description) into several actual sections.

A section begins with a line of the form:

```
type name
```

where type indicates what type of section follows, and name is an arbitrary name which distinguishes the section from others of the same type. (Names must start with a letter and may contain only letters, digits, periods, underscores, and hyphens.) All subsequent non-empty lines which begin with white space are part of the section; comments within a section must begin with white space too. There may be only one section of a given type with a given name.

Lines within the section are generally of the following form:

```
parameter=value
```

(Note the mandatory preceding TAB.) There can be white space on either side of the =. Parameter names follow the same syntax as section names, and are specific to a section type. Unless otherwise explicitly specified, no parameter name may appear more than once in a section.

An empty value stands for the system default value (if any) of the parameter, i.e., it is roughly equivalent to omitting the parameter line entirely. A value may contain white space only if the entire value is enclosed in double quotes (""); a value cannot itself contain a double quote, nor may it be continued across more than one line.

Numeric values are specified to be either an integer (a sequence of digits) or a decimal number (sequence of digits optionally followed by . and another sequence of digits).

There is currently one parameter which is available in any type of section:

```
also
```

Network

The value is a section name; the parameters of that section are appended to this section, as if they had been written as part of it. The specified section must exist, must follow the current one, and must have the same section type. (Nesting is permitted, and there may be more than one also in a single section, although it is forbidden to append the same section more than once.) This allows, for example, keeping the encryption keys for a connection in a separate file from the rest of the description, by using both an `also` parameter and an `include` line.

A section with name `%default` specifies defaults for sections of the same type. For each parameter in it, any section of that type which does not have a parameter of the same name gets a copy of the one from the `%default` section. There may be multiple `%default` sections of a given type, but only one default may be supplied for any specific parameter name, and all `%default` sections of a given type must precede all non-`%default` sections of that type. `%default` sections may not contain also parameters.

Currently there are two types of sections: a `config` section specifies general configuration information for IPsec, while a `conn` section specifies an IPsec connection.

Conn Sections

A `conn` section contains a connection specification, defining a network connection to be made using IPsec. The name given is arbitrary, and is used to identify the connection to `ipsec_auto` and `ipsec_manual`. Here's a simple example:

```
conn snt
    left=10.11.11.1
    leftsubnet=10.0.1.0/24
    leftnexthop=172.16.55.66
    right=192.168.22.1
    rightsubnet=10.0.2.0/24
    rightnexthop=172.16.88.99
    keyingtries=0 # be very persistent
```

File Description 4.4: part of the /etc/ipsec.conf file

To avoid trivial editing of the configuration file to suit it to each system involved in a connection, connection specifications are written in terms of left and right participants, rather than in terms of local and remote. Which participant is considered left or right is arbitrary; IPsec figures out which one it is being run on based on internal information. This permits using identical connection specifications on both ends.

Many of the parameters relate to one participant or the other; only the ones for left are listed here, but every parameter whose name begins with `left` has a right counterpart, whose description is the same but with `left` and `right` reversed.

Network

Parameters are optional unless marked required; a parameter required for manual keying need not be included for a connection which will use only automatic keying, and vice versa.

Conn parameters: General. The following parameters are relevant to both automatic and manual keying. Unless otherwise noted, for a connection to work, in general it is necessary for the two ends to agree exactly on the values of these parameters. The two ends can be defined as Left or Local, and Right or Remote.

- type: The type of the connection. Currently the accepted values are: tunnel (the default) signifying a host-to-host, host-to-subnet, or subnet-to-subnet tunnel; transport, signifying host-to-host transport mode; and passthrough (supported only for manual keying), signifying that no IPsec processing should be done at all.
- left (local) and right (remote) IP: The IP address of the participant's network interface. If it is the magic value %defaultroute, and interfaces=%defaultroute is used in the config setup section, left will be filled in automatically with the local address of the default-route interface (as determined at IPsec startup time). This also overrides any value supplied for leftnexthop. (Either left or right may be %defaultroute, but not both.) The magic value %any signifies an address to be filled in (by automatic keying) during negotiation; the magic value %opportunistic signifies that both left and leftnexthop are to be filled in (by automatic keying) from DNS data for left's client.
- left(local) and right (remote) subnet: Private subnet behind the left and right participants, expressed as network/netmask.
- left(local) and right (remote) nexthop: NextHop gateway IP address for the left and right participant connection to the public network.
- left (local) and right (remote) updown script: What updown script to run to adjust routing and/or firewalling when the status of the connection changes. The path to the default updown script on ACS is /usr/local/lib/ipsec/_updown

Conn parameters: Automatic Keying. The following parameters are relevant only to automatic keying, and are ignored in manual keying. Unless otherwise noted, for a connection to work, in general it is necessary for the two ends to agree exactly on the values of these parameters.

- auto: What operation, if any, should be done automatically at IPsec startup; currently- accepted values are add (signifying an ipsec auto --add), route (signifying that plus an ipsec auto --route), start (signifying that plus an ipsec auto --up), and ignore (also the default) (signifying no automatic startup operation). This parameter is ignored unless the plutoload or plutostart configuration parameter is set suitably; see the config setup discussion below.
- auth: Whether authentication should be done as part of ESP encryption, or separately using the AH protocol, acceptable values are esp (the default) and ah.
- authby: How the two security gateways should authenticate each other. Acceptable values are secret for shared secrets (the default) and rsasig for RSA digital signatures.

Network

- leftid and rightid: How the left and right participant should be identified for authentication. Defaults to left. Can be an IP address or a fully-qualified domain name preceded by @ (which is used as a literal string and not resolved).
- leftsasigkey and rightsasigkey: The left and right participants public key for RSA signature authentication, in RFC 2537 format. The magic value %none means the same as not specifying a value (useful to override a default). The value %dnsondemand means the key is to be fetched from DNS at the time it is needed. The value %dnsonload means the key is to be fetched from DNS at the time the connection description is read from ipsec.conf. Currently this is treated as %none if right=%any or right=%opportunistic. The value %dns is currently treated as %dnsonload but will change to %dnsondemand in the future. The identity used for the left participant must be a specific host, not %any or another magic value. Caution: if two connection descriptions specify different public keys for the same leftid, confusion and madness will ensue.
- pfs: Whether Perfect Forward Secrecy of keys is desired on the connection's keying channel. (With PFS, penetration of the key-exchange protocol does not compromise keys negotiated earlier.) Acceptable values are yes (the default) and no.
- keylife: How long a particular instance of a connection (a set of encryption/authentication keys for user packets) should last, from successful negotiation to expiry. Acceptable values are an integer optionally followed by s (a time in seconds) or a decimal number followed by m, h, or d (a time in minutes, hours, or days respectively) (default 8.0h, maximum 24h).
- rekey: Whether a connection should be renegotiated when it is about to expire. Acceptable values are yes (the default) and no.
- rekeymargin: How long before connection expiry or keying-channel expiry should attempts to negotiate a replacement begin. Acceptable values as for keylife (default 9m).
- redeyefuzz: Maximum percentage by which rekeymargin should be randomly increased to randomize rekeying intervals (important for hosts with many connections). Acceptable values are an integer, which may exceed 100, followed by a %.
- keyingtries: How many attempts (an integer) should be made to negotiate a connection, or a replacement for one, before giving up (default 3). The value 0 means never give up.
- ikelifetime: How long the keying channel of a connection (buzzphrase: ISAKMP SA) should last before being renegotiated. Acceptable values as for keylife.
- compress: Whether IPComp compression of content is desired on the connection. Acceptable values are yes and no (the default).

Conn parameters: Manual Keying. The following parameters are relevant only to manual keying, and are ignored in automatic keying. Unless otherwise noted, for a connection to work, in general it is necessary for the two ends to agree exactly on the values of these parameters. A manually-keyed connection must specify at least one of AH or ESP.

- esp: ESP encryption/authentication algorithm to be used for the connection, e.g. 3des-md5-96.
- espenckey: ESP encryption key.

Network

- espauthkey: ESP authentication key.
- espreplay_window: ESP replay-window setting. An integer from 0 to 64. Relevant only if ESP authentication is being used.
- ah: AH authentication algorithm to be used for the connection, e.g. hmac-md5-96. Default is not to use AH.
- ahkey: Required if ah is present. AH authentication key
- ahreplay_window: AH replay-window setting. An integer from 0 to 64.

Config Section

At present, the only config section known to the IPsec software is the one named setup, which contains information used when the software is being started. Here's an example:

```
config setup
  interfaces="ipsec0=eth1 ipsec1=ppp0"
  klipsdebug=none
  plutodebug=all
  manualstart=
  pluto_load="snta sntb sntc sntd"
  pluto_start=
```

File Description 4.5: part of the /etc/ipsec.conf file

Parameters are optional unless marked required. The currently-accepted parameter names in a config setup section are:

- interfaces: Required. Virtual and physical interfaces for IPsec to use: a single virtual= physical pair, a quoted list of pairs separated by white space, or %defaultroute, which means to find the interface d that the default route points to, and then act as if the value was ipsec0=d.
- forwardcontrol: Whether setup should turn IP forwarding on (if it's not already on) as IPsec is started, and turn it off again (if it was off) as IPsec is stopped. Acceptable values are yes and (the default) no.
- klipsdebug: How much KLIPS debugging output should be logged. An empty value, or the magic value none, means no debugging output (the default). The magic value all means full output.
- plutodebug: How much Pluto debugging output should be logged. An empty value, or the magic value none, means no debugging output (the default). The magic value all means full output.
- dumpdir: In what directory should things started by setup (notably the Pluto daemon) be allowed to dump core. The empty value (the default) means they are not allowed to.
- manualstart: Which manually-keyed connections to set up at startup (can be empty, a name, or a quoted list of names separated by white space).
- pluto_load: Which connections (by name) to load into Pluto's internal database at startup (can be empty, a name, or a quoted list of names separated by white space); see ipsec_auto for details. Default is none. If the special value %search is used, all connections with auto=add, auto=route, or auto=start are loaded.

Network

- plutostart: Which connections (by name) to attempt to negotiate at startup (can be empty, a name, or a quoted list of names separated by white space). Any such names which do not appear in plutoload are implicitly added to it. Default is none. If the special value %search is used, all connections with auto=route or auto=start are routed, and all connections with auto=start are started.
- plutowait: Specify if Pluto should wait for each plutostart negotiation attempt to finish before proceeding with the next one. Values are yes (the default) or no.
- prepluto: Shell command to run before starting Pluto. For example, to decrypt an encrypted copy of the ipsec.secrets file. It's run in a very simple way. Complexities like I/O redirection are best hidden within a script. Any output is redirected for logging, so running interactive commands is difficult unless they use /dev/tty or equivalent for their interaction. Default is none.
- postpluto: Shell command to run after starting Pluto (e.g., to remove a decrypted copy of the ipsec.secrets file).
- fragicmp: Whether a tunnel need to fragment a packet should be reported back with an ICMP message, in an attempt to make the sender lower his PMTU estimate. Acceptable values are yes (the default) and no.
- packetdefault: What should be done with a packet which reaches KLIPS (via a route into a virtual interface) but does not match any route. Acceptable values are pass (insecure unless you really know what you're doing), drop (the default), and reject (currently same as drop).
- hidetos: Whether a tunnel packet's TOS field should be set to 0 rather than copied from the user packet inside. Acceptable values are yes (the default) and no.
- uniqueids: Whether a particular participant ID should be kept unique, with any new (automatically keyed) connection using an ID from a different IP address deemed to replace all old ones using that ID. Acceptable values are yes and no (the default).
- overridemtu: Value that the MTU of the ipsec interface(s) should be set to, overriding IPsec's (large) default. This parameter is needed only in special situations.

CLI Method - VPN Configuration

It is possible to configure almost everything using the CLI interface. You just won't be able to generate the RSA keys neither copy the keys of remote hosts. Be sure to do it before entering the CLI mode.

Step 1 - Open the CLI interface by issuing the command:

```
# CLI
```

Step 2 - Access the VPN menu.

```
cli> config network vpn
```

This menu lets you add, edit or delete a VPN connection. When adding or editing a connection, you'll be prompted to configure the following parameters:

Network

Parameter	Values
connectionname	<name> - Edit mode only
authprotocol	<esplah>
authmethod	<rsa secret>
rightid	<id>
rightip	<n.n.n.n>
rightnexthop	<hop>
rightsubnet	<n.n.n.n>
rightrsa	<rsa key>
leftid	<id>
leftip	<n.n.n.n>
leftnexthop	<hop>
leftsubnet	<n.n.n.n>
leftrsa	<rsa key>
bootaction	<ignore add start>
secret	<secret>

Table 4.15: VPN parameters

How each parameter works and their respective descriptions can be found just above in the section [Conn parameters: General](#).

Step 3 - Activate the configuration.

```
cli> config runconfig
```

Step 4 - Save the configuration.

```
cli> config savetoflash
```

Step 5 - Connection management.

Network

After configuring the VPN connection you will have to manage the VPN connections in the prompt shell. The CLI does not provide management utilities. Find more information on [“IPsec Management”](#) on page 140.

Step 6 - Exiting the CLI mode.

To exit the CLI mode and return to ACS's shell, type the following command:

```
cli> quit
```

Chapter 5

Administration

The objective of this chapter is showing any task related to the administration of the unit. This includes the following topics:

- SNMP
- CronD
- Dual Power Management
- Syslog-ng
- Generating Alarms (Syslog-ng)
- Terminal Appearance
- Centralized Management
- Date, Time and Timezone
- Session Sniffing
- Saveconf and Restoreconf
- Start and Stop Services
- Security Profiles

5.1 SNMP

Short for Simple Network Management Protocol: a set of protocols for managing complex networks. The first versions of SNMP were developed in the early 80s. SNMP works by sending messages, called protocol data units (PDUs), to different parts of a network. SNMP-compliant devices, called agents, store data about themselves in Management Information Bases (MIBs) and return this data to the SNMP requesters. ACS uses the net-snmp package (<http://www.net-snmp.org>).

Note: IMPORTANT! Check the SNMP configuration before gathering information about ACS by SNMP. There are different types of attacks an unauthorized user can implement to retrieve sensitive information contained in the MIB. By default, the SNMP configuration in ACS cannot permit the public community to read SNMP information.

The net-snmp supports snmp version 1, 2 and 3. To use SNMP version 1 or 2 (community), you need to configure the communities in the snmp config file (*/etc/snmp/snmpd.conf*). For example, to include the

Administration

communities cyclades and public, you need add the following lines in */etc/snmp/snmpd.conf*:

```
# cyclades is read-write community
rwcommunity cyclades
# public is a read-only community
rocommunity public
```

File Description 5.1: part of the /etc/snmp/snmpd.conf file

To use SNMP version 3 (username/password), perform the following steps:

1. Create a file */etc/snmp/snmpd.local.conf* with the following line:

```
# createUser <username> MD5 <password> DES
```

For example :

```
# createUser usersnmp MD5 user_snmp_passwd DES
```

Note: The SNMP v3 password must be less than 31 characters.

a. Edit the */etc/snmp/snmpd.conf* file.

If the user has permission to read only, to add the line :

```
# rouser <username> (eg.: rouser usersnmp).
```

If the user has permission to read and write, to add the line :

```
# rwuser <username> (eg.: rwuser usersnmp).
```

a. Include the following line in */etc/config_files*:

```
/etc/snmp/snmpd.local.conf
```

You can configure the */etc/snmp/snmpd.conf* file as indicated later in this section.

1. Snmp version 1

- RFC1155 - SMI for the official MIB tree
- RFC1213 - MIB-II

2. Snmp version 2

- RFC2578 - Structure of Management Information Version 2 (SMIV2)
- RFC2579 - Textual Conventions for SMIV2

Administration

- RFC2580 - Conformance Statements for SMIV2
3. Snmp version 3
 - RFC2570 - Introduction to Version 3 of the Internet-standard Network Management Framework.
 - RFC2571 - An Architecture for Describing SNMP Management Frameworks.
 - RFC2572 - Message Processing and Dispatching for the Simple Network Management Protocol (SNMP).
 - RFC2573 - SNMP Applications.
 - RFC2574 - User-based Security Model (USM) for version 3 of the Simple Network Management Protocol (SNMPv3).
 - RFC2575 - View-based Access Control Model (VACM) for the Simple Network Management Protocol (SNMP).
 - RFC2576 - Coexistence between Version 1, Version 2, and Version 3 of the Internet-standard Network Management Framework.
 4. Private UCD SNMP mib extensions (enterprises.2021)
 - Information about memory utilization (*/proc/meminfo*)
 - Information about system status (*vmstat*)
 - Information about net-snmp packet
 5. Private Cyclades Vendor MIB (enterprises.2925)
 - ACS remote Management Object Tree (*cyclades.4*). This MIB permits you to get informations about the product, to read/write some configuration items and to do some administration commands. (For more details see the *cyclades.mib* file.)

Configuration

This section describe how to configure the SNMP using the vi editor.

VI Method - Involved parameters and passed values

The followings steps shows how to configure SNMP v1 and v2 using */etc/snmp/snmpd.conf* file.

Administration

1. To define the public community, insert the following line in the `/etc/snmp/snmp.conf` file. This is a read-only access to the MIB (Management Information Base) values.

```
rocommunity public <"default", hostname, or network/mask> .1
```

2. Save the configuration changes in the `snmp.conf` file.

```
[root@CAS root]# saveconf
```

3. Restart the SNMP daemon to read the new configuration.

```
[root@CAS root]# daemon.sh restart SNMP
```

Administration

CLI Method - SNMP

You can configure SNMP v1, v2 and v3 just using the CLI interface. The steps below will give an overview of this process.

1. Open the CLI interface by issuing the command:

```
# CLI
```

a. Configuring SNMP v1/v2.

```
cli>config network snmp v1v2 add community test1 oid .1 permission ro  
source 192.168.0.200
```

The command presented above will configure SNMP v1/v2 with the following characteristics:

- community: *test1*
- OID: *.1*
- permission: *ro* (read only)
- source (allowed host): *192.168.0.200*

a. Configuring SNMP v3.

```
cli>config network snmp v3 add username john password john1234 oid .1  
permission ro
```

The command presented above will configure SNMP v1/v2 with the following characteristics:

- username: *john*
- password: *john1234*
- OID: *.1*
- permission: *ro* (read only)

Note: The SNMP v3 password must be less than 31 characters.

a. Activating the configuration.

```
cli>config runconfig
```

a. Testing the configuration.

Considering that the targeted ACS has the IP address 192.168.0.1 and the Linux machine from where the commands will be issued is 192.168.0.200, run the following commands:

For SNMP v1/v2

```
# snmpwalk -v 2c -c test1 192.168.0.1 .1
```

Administration

For SNMP v3

```
# snmpwalk -v 3 -u john -l authpriv -a MD5 -A john1234 -x DES -X john1234  
192.168.0.1 .1
```

- a. Save the configuration.

```
cli> config savetoflash
```

- a. Exiting the CLI mode.

To exit the CLI mode and return to ACS's shell, type the following command:

```
cli> quit
```

5.2 CronD

CronD is a service provided by the ACS system that allows automatic, periodically-run custom-made scripts. It replaces the need for the same commands to be run manually.

How to configure

The crond daemon in the ACS has a peculiar way of configuration that is basically it is divided in three parts:

- */etc/crontab_files* - The name of this file can't be changed and it must point only to ONE file. Further information about it will be given in the next lines.
- source file - This file holds information about frequency and which files should be executed. It can have any name, since it is pointed out by the */etc/crontab_files*.
- script files - These are the script files scheduled and pointed by the source file explained above.

The following parameters are created in the */etc/crontab_files* file:

- status - Active or inactive. If this item is not active, the script will not be executed.
- user - The process will be run with the privileges of this user, who must be a valid local user.
- source - Pathname of the crontab file that specifies frequency of execution, the name of shell script, etc. It should be set using the traditional crontab file format.

```
active root /etc/tst_cron.src
```

File Description 5.2: /etc/crontab_files

Note: NOTE: In */etc/crontab_files*, you can only have one active entry per user. For instance, from the example above, you cannot add another active entry for root because it already has an entry. If you want to add more scripts, you can just add them to the source file, eg.: (*/etc/tst_cron.src*).

The */etc/crontab_files* file can point to any desired file that calls the scripts to be run. The ACS has example file for it (*/etc/tst_cron.src*). The

Administration

file that is pointed out in the */etc/crontab_files* file must follow this structure:

```
PATH=/usr/bin:/bin
SHELL=/bin/sh
HOME=/
0-59 * * * * /etc/tst_cron.sh
```

File Description 5.3: /etc/tst_cron.src

This file is called */etc/tst_cron.src*, but it could have any other name, since it follows the above structure.

The fourth line of the example file follows this structure: minutes, hours, month day, month, week day and command .

It is possible to specify different tasks to run on different dates and times. Each command must be on a separated line lines. Find more information about the crontab syntax below:

Crontab Syntax. A crontab task consists of four date/time fields and a command field. Every minute cron checks all crontabs for a match between the current date/time and their tasks. If there's a match, the command is executed. The system crontab has an additional field "User" that tells cron with which user id the command should be executed.

The fields are:

- Min - minute of execution, 0-59
- Hour - hour of execution, 0-23
- Mday - day of month of execution, 1-31
- Month - month of execution, 1-12 (or names)
- Wday - day of week of execution, 0-7 (0 or 7 is sunday, or names)
- Command - Anything that can be launched from the command line

Possible values for the fields:

- * - matches all values, e.g. a * in month means: "every month"
- x-y - matches the range x to y, e.g. 2-4 in Mday means "on the 2nd, 3rd, and 4th of the month"
- x/n - in range x with frequency n, e.g. */2 in Hour means "every other hour"

Month also accepts names, e.g. jan, Feb (case insensitive). This does not

Administration

support ranges, though. Weekdays can also be given as names, e.g. sun, Mon.

VI Method - Involved parameters and passed values

Example:

In this step by step example we will configure a script named *tst_cron.sh* to run every minute. This example just explains the necessary steps, because actually all files are already present in the ACS by default.

1. Activate the crond daemon in the */etc/crontab_files*.

As explained before this file configures which file contains information about which scripts are going to be run. Activate the daemon, by editing the */etc/crontab_files* changing the line, like below:

```
active root /etc/tst_cron.src
```

- a. Edit the */etc/tst_cron.src*, to specify which scripts will be executed.

This file must point out all scripts to be executed. It also specifies the periodicity of execution of each script, according to the following syntax:

```
0-59 * * * * /etc/tst_cron.sh
```

In this case the *tst_cron.sh* script will run every minute.

- a. Save the changes.

Execute the following command in to save the configuration:

```
# saveconf
```

- a. Activate changes.

To activate the changes it is necessary to reboot the ACS by issuing the command:

```
# reboot
```

5.3 Dual Power Management

The ACS comes with two power supplies which it can self-monitor. If either of them fails, two actions are performed: sounding a buzzer and generating a syslog message. This automanagement can be disabled (no actions are taken) or enabled (default), any time by issuing the commands:

```
# signal_ras buzzer off

# signal_ras buzzer on
```

To disable the buzzer in boot time, edit the shell script `/bin/ex_wdt_led.sh` and remove the keyword “buzzer.” The buzzer won’t sound if there is a power failure in any power supply. This parameter does not affect the behavior of the command “`signal_ras buzzer on/off`.” To make this change effective even after future reboots, create a line with “`/bin/ex_wdt_led.sh`” in `/etc/config_files`, save and quit that file and run `saveconf`.

Note: NOTE: This section applies only to the dual power supply model of the ACS.

How to configure

There are no parameters to be configured. However, if you want to generate alarms in case of a power failure, the `syslog-ng.conf` file must be changed. See the section `Generating Alarms`.

5.4 Syslog-ng

The syslog-ng daemon provides a modern treatment to system messages. Its basic function is to read and log messages to the system console, log files, other machines (remote syslog servers) and/or users as specified by its configuration file. In addition, syslog-ng is able to filter messages based on their content and to perform an action (e.g. to send an e-mail or pager message). In order to access these functions, the *syslog-ng.conf* file needs some specific configuration.

The configuration file (default: */etc/syslog-ng/syslog-ng.conf*) is read at startup and is reread after reception of a hangup (HUP) signal. When reloading the configuration file, all destination files are closed and reopened as appropriate. The *syslog-ng* reads from sources (files, TCP/UDP connections, syslogd clients), filters the messages and takes an action (writes in files, sends snmptrap, pager, e-mail or syslogs to remote servers).

There are five steps required for configuring syslog-ng:

Step 1: Define Global Options.

Step 2: Define Sources.

Step 3: Define Filters.

Step 4: Define Actions (Destinations).

Step 5: Connect all of the above.

These five tasks are going to be explained in this section.

Port Slave Parameters Involved with syslog-ng

- *conf.facility* - This value (0-7) is the Local facility sent to the syslog-ng from PortSlave.
- *conf.DB_facility* - This value (0-7) is the local facility sent to the syslog-ng with data when *syslog_buffering* and/or *alarm* is active. When nonzero, the contents of the data buffer are sent to the syslog-ng every time a quantity of data equal to this parameter is collected. The syslog level for data buffering is hard coded to level five (notice) and facility `local[0+conf.DB_facility]`. The file */etc/syslog-ng/syslog-ng.conf* should be set accordingly for the syslog-ng to take some action. Example value: 0.
- *all.syslog_buffering* - When nonzero, the contents of the data buffer are sent to the syslog-ng every time a quantity of data equal to this parameter is collected. The syslog message is sent

to syslog-ng with NOTICE level and LOCAL[0+conf.DB_facility] facility.

The Syslog Functions

This section shows the characteristics of the syslog-ng that is implemented for all members of the ACS family. It is divided into three parts:

1. Syslog-ng and its Configuration
2. Syslog-ng Configuration to use with Syslog Buffering Feature
3. Syslog-ng Configuration to use with Multiple Remote Syslog Servers

Syslog-ng and its Configuration

The five steps previously mentioned are detailed below.

1. Specify Global Options.

You can specify several global options to syslog-ng in the options statement:

```
options { opt1(params); opt2(params); ... };
```

where *optN* can be any of the following:

Table 5-1: “Global Options” parameters (Syslog-ng configuration)

Option	Description
time_reopen(n)	The time to wait before a dead connection is reestablished.
time_reap(n)	The time to wait before an idle destination file is closed.
sync_freq(n)	The number of lines buffered before written to file. (The file is synced when this number of messages has been written to it.)
mark_freq(n)	The number of seconds between two MARKS lines.
log_fifo_size(n)	The number of lines fitting to the output queue.
chain_hostname (yes/no) or long_hostname (yes/no)	Enable/disable the chained hostname format.
use_time_recvd (yes/no)	Use the time a message is received instead of the one specified in the message.

Administration

Table 5-1: “Global Options” parameters (Syslog-ng configuration)

Option	Description
use_dns (yes/ no)	Enable or disable DNS usage. syslog-ng blocks on DNS queries, so enabling DNS may lead to a Denial of Service attack.
gc_idle_threshold(n)	Sets the threshold value for the garbage collector, when syslog-ng is idle. GC phase starts when the number of allocated objects reach this number. Default: 100.
gc_busy_threshold(n)	Sets the threshold value for the garbage collector. When syslog-ng is busy, GC phase starts.
create_dirs(yes/ no)	Enable the creation of new directories.
owner(name)	Set the owner of the created file to the one specified. Default: root.
group(name)	Set the group of the created file to the one specified. Default: root.
perm(mask)	Set the permission mask of the created file to the one specified. Default: 0600.

a. Define sources.

To define sources use this statement:

```
source <identifier> { source-driver([params]); source driver([params]);  
...};
```

where:

- *identifier* - Has to uniquely identify this given source.
- *source-driver* - Is a method of getting a given message.
- *params* - Each source-driver may take parameters. Some of them are required, some of them are optional.

The following source-drivers are available:

Table 5-2: “Source Drivers” parameters (Syslog-ng configuration)

Option	Description
internal()	Messages are generated internally in syslog-ng.

Table 5-2: “Source Drivers” parameters (Syslog-ng configuration)

Option	Description
unix-stream (filename [options]) and unix-dgram (filename [options])	They open the given AF_UNIX socket, and start listening for messages. Options: owner(name), group(name), perm(mask) are equal global options keep-alive(yes/no) - Selects whether to keep connections opened when syslog-ng is restarted. Can be used only with unix_stream. Default: yes max-connections(n) - Limits the number of simultaneously opened connections. Can be used only with unix_stream. Default: 10.
tcp([options]) and udp([options])	These drivers let you receive messages from the network, and as the name of the drivers show, you can use both TCP and UDP. None of tcp() and udp() drivers require positional parameters. By default they bind to 0.0.0.0:514, which means that syslog-ng will listen on all available interfaces. Options: ip(<ip address>) - The IP address to bind to. Default: 0.0.0.0. port(<number>) - UDP/TCP port used to listen messages. Default: 514. max-connections(n) - Limits the number of simultaneously opened connections. Default: 10.
file(filename)	Opens the specified file and reads messages.
pipe(filename)	Opens a named pipe with the specified name, and listens for messages. (You'll need to create the pipe using mkfifo command).

Some Examples of Defining Sources:

1) To read from a file:

```
source <identifier> {file(filename)};
```

Example to read messages from “/temp/file1” file:

Administration

```
source file1 {file('/temp/file1');};
```

Example to receive messages from the kernel:

```
source s_kernel { file('/proc/kmsg'); };
```

2) To receive messages from local syslogd clients:

```
source sysl {unix-stream('/dev/log');};
```

3) To receive messages from remote syslogd clients:

```
source s_udp { udp(ip(<cliente ip>) port(<udp port>));};
```

Example to listen to messages from all machines on UDP port 514:

```
source s_udp { udp(ip(0.0.0.0) port(514));};
```

Example to listen to messages from one client (IP address=10.0.0.1) on UDP port 999:

```
source s_udp_10 { udp(ip(10.0.0.1) port(999));};
```

a. Define filters.

To define filters use this statement:

```
filter <identifier> { expression;};
```

where:

- identifier - Has to uniquely identify this given filter.
- expression - Boolean expression using internal functions, which has to evaluate to true for the message to pass.

The following internal functions are available:

Table 5-3: “Filters” parameters (Syslog-ng configuration)

Option	Description
facility (<facility code>)	Selects messages based on their facility code.
level(<level code>) or prior- ity (<level code>)	Selects messages based on their priority.

Table 5-3: “Filters” parameters (Syslog-ng configuration)

Option	Description
program(<string>)	Tries to match the <string> to the program name field of the log message.
host(<string>)	Tries to match the <string> to the hostname field of the log message.
match(<string>))	Tries to match the <string> to the message itself.

Some Examples of Defining Filters:

1) To filter by facility:

```
filter f_facilty { facility(<facility name>); };
```

Examples:

```
filter f_daemon { facility(daemon); };  
filter f_kern { facility(kern); };  
filter f_debug { not facility(auth, authpriv, news, mail); };
```

2) To filter by level:

```
filter f_level { level(<level name>);};
```

Examples:

```
filter f_messages { level(info .. warn);}  
filter f_emergency { level(emerg); };  
filter f_alert { level(alert); };
```

3) To filter by matching one string in the received message:

```
filter f_match { match('string'); };
```

Example to filter by matching the string “named”:

```
filter f_named { match('named'); };
```

4) To filter ALARM messages (note that the following three examples should be one line):

Administration

```
filter f_alarm { facility(local[0+<conf.DB_facility>]) and level(info)
and match('ALARM') and match('<your string>'); };
```

Example to filter ALARM message with the string “kernel panic”:

```
filter f_kpanic { facility(local[0+<conf.DB_facility>]) and level(info)
and match('ALARM') and match('kernel panic'); };
```

Example to filter ALARM message with the string “root login”:

```
filter f_root { facility(local[0+<conf.DB_facility>]) and level(info)
and match('ALARM') and match('root login'); };
```

5) To eliminate SSHD debug messages:

```
filter f_sshd_debug { not program('sshd') or not level(debug); };
```

6) To filter the syslog buffering:

```
filter f_syslog_buf { facility(local[0+<conf.DB_facility>]) and
level(notice); };
```

a. Define Actions.

To define actions use this statement (note that the statement should be one line):

```
destination <identifier> {destination-driver([params]); destination-
driver([param]);..};
```

where:

- *identifier* - Has to uniquely identify this given destination.
- *destination driver* - Is a method of outputting a given message.
- *params* - Each destination-driver may take parameters. Some of them required, some of them are optional.

Administration

The following destination drivers are available:

Table 5-4: “Destination Drivers” parameters (Syslog-ng configuration)

Option	Description
file (file- name[options])	This is one of the most important destination drivers in syslog-ng. It allows you to output log messages to the named file. The destination filename may include macros (by prefixing the macro name with a '\$' sign) which gets expanded when the message is written. Since the state of each created file must be tracked by syslog-ng, it consumes some memory for each file. If no new messages are written to a file within 60 seconds (controlled by the <code>time_reap</code> global option), it's closed, and its state is freed.

Administration

Table 5-4: “Destination Drivers” parameters (Syslog-ng configuration)

Option	Description
<p>file (file-name[options])</p> <p><i>continuation...</i></p>	<p>Available macros in filename expansion:</p> <ul style="list-style-type: none"> • HOST - The name of the source host where the message originated from. • FACILITY - The name of the facility the message is tagged as coming from. • PRIORITY or LEVEL - The priority of the message. • PROGRAM - The name of the program the message was sent by. • YEAR, MONTH, DAY, HOUR, MIN, SEC - The year, month, day, hour, min, sec of the message was sent. • TAG - Equals FACILITY/LEVEL. • FULLHOST - The name of the source host and the source-driver: • <source-driver>@<hostname> • MSG or MESSAGE - The message received. <p>FULLDATE - The date of the message was sent.</p> <p>Available options:</p> <ul style="list-style-type: none"> • log_fifo_size(number) - The number of entries in the output file. • sync_freq(number) - The file is synced when this number of messages has been written to it. • owner(name), group(name), perm(mask) - Equals global options. • template(“string”) - Syslog-ng writes the “string” in the file. You can use the MACROS in the string. • encrypt(yes/no) - Encrypts the resulting file. • compress(yes/no) - Compresses the resulting file using zlib.
<p>pipe (file-name[options])</p>	<p>This driver sends messages to a named pipe. Available options:</p> <p>owner(name), group(name), perm(mask) - Equals global options.</p> <p>template(“string”) - Syslog-ng writes the “string” in the file. You can use the MACROS in the string.</p>
<p>unix-stream(file-name) and unix-dgram(filename)</p>	<p>This driver sends messages to a UNIX socket in either SOCKET_STREAM or SOCK_DGRAM mode.</p>

Administration

Table 5-4: “Destination Drivers” parameters (Syslog-ng configuration)

Option	Description
udp("<ip address>" port(number);) and tcp("<ip address>" port(number);)	This driver sends messages to another host (ip address/ port) using either UDP or TCP protocol.
program(<program name and arguments>)	This driver fork()'s executes the given program with the arguments and sends messages down to the stdin of the child.
usertty(<user-name>)	This driver writes messages to the terminal of a logged-in username.

Some examples of defining actions:

1) To send e-mail:

```
destination <ident> { pipe('/dev/cyc_alarm' template('sendmail  
<pars>'));};
```

where *ident*: uniquely identifies this destination. Parameters:

- *-t <name>[,<name>]* - To address
- *[-c <name>[,<name>]]* - CC address
- *[-b <name>[,<name>]]* - Bcc address
- *[-r <name>[,<name>]]* - Reply-to address
- *-f <name>* - From address
- *-s \"<text>\"* - Subject
- *-m \"<text message>\"* - Message
- *-h <IP address or name>* - SMTP server
- *[-p <port>]* - Port used. default:25

To mount the message, use this macro:

- *\$FULLDATE* - The complete date when the message was sent.
- *\$FACILITY* - The facility of the message.
- *\$PRIORITY* or *\$LEVEL* - The priority of the message.

Administration

- *\$PROGRAM* - The message was sent by this program (BUFFERING or SOCK).
- *\$HOST* - The name of the source host.
- *\$FULLHOST* - The name of the source host and the source driver. Format: <source>@<hostname>
- *\$MSG* or *\$MESSAGE* - The message received.

Example to send e-mail to z@none.com (SMTP's IP address 10.0.0.2) from the e-mail address a@none.com with subject "ALARM". The message will carry the current date, the host-name of this ACS and the message that was received from the source.

```
destination d_mail1 {
    pipe('/dev/cyc_alarm'
        template('sendmail -t z@none.com -f a@none.com -s \"ALARM\" \\
            -m \"\${FULLDATE} $HOST $MSG\" -h 10.0.0.2'));
};
```

File Description 5.4: Send e-mail example

2) To send to pager server (sms server):

```
destination <ident> {pipe('/dev/cyc_alarm' template('sendsms
<pars>'));};
```

where ident: uniquely identify this destination

- pars: -d <mobile phone number>
- -m \"<message - max.size 160 characters>\"
- -u <username to login on sms server>
- -p <port sms - default : 6701>
- <server IP address or name>

Example to send a pager to phone number 123 (Pager server at 10.0.0.1) with message carrying the current date, the hostname of this ACS and the message that was received from the source:

```
destination d_pager {
    pipe('/dev/cyc_alarm'
        template('sendsms -d 123 -m \"\${FULLDATE} $HOST $MSG\" 10.0.0.1'));
};
```

File Description 5.5: To send a pager phone example

3) To send snmptrap.

Administration

```
destination <ident> {pipe(`/dev/cyc_alarm' template(`snmptrap <pars>'));
};
```

where ident : uniquely identify this destination

- pars : -v 1
- <snmptrapd IP address>
- -c public : community
- "\\" : enterprise-oid
- "\\" : agent/hostname
- <trap number> : 2-Link Down, 3-Link Up, 4-Authentication Failure
- 0 : specific trap
- "\\" : host-uptime
- .1.3.6.1.2.1.2.2.1.2.1 :interfaces.iftable.ifentry.ifdescr.1
- s : the type of the next field (it is a string)
- \"<message - max. size 250 characters>\"

Example to send a Link Down trap to server at 10.0.0.1 with message carrying the current date, the hostname of this ACS and the message that was received from the source:

```
destination d_trap {
pipe("/dev/cyc_alarm"
template("snmptrap -v 1 -c public 10.0.0.1 public "\\" "\\" 2 0 "\\" "\\"
.1.3.6.1.2.1.2.2.1.2.1 s \"${FULLDATE} $HOST $MSG\" "));
};
```

File Description 5.6: Sending a link down trap

4) To write in file :

```
destination d_file { file(<filename>);};
```

Example send message to console :

```
destination d_console { file("/dev/ttyS0");};
```

File Description 5.7: Sending messages to console

Administration

Example to write a message in /var/log/messages file:

```
destination d_message { file("/var/log/messages"); };
```

File Description 5.8: Writing messages to file

5) To write messages to the session of a logged-in user:

```
destination d_user { usertty("<username>"); };
```

Example to send message to all sessions with root user logged:

```
destination d_userroot { usertty("root"); };
```

File Description 5.9: Sending messages to logged user

6) To send a message to a remote syslogd server:

```
destination d_udp { udp("<remote IP address>" port(514)); };
```

Example to send syslogs to syslogd located at 10.0.0.1 :

```
destination d_udp1 { udp("10.0.0.1" port(514)); };
```

File Description 5.10: Sending syslogs to a remote server

Connect all of the above.

- a. To connect the sources, filters, and actions, use the following statement. (Actions would be any message coming from one of the listed sources. A match for each of the filters is sent to the listed destinations.)

```
log { source(S1); source(S2); ...  
filter(F1);filter(F2);...  
destination(D1); destination(D2);...  
};
```

where :

- Sx - Identifier of the sources defined before.
- Fx - Identifier of the filters defined before.
- Dx - Identifier of the actions/destinations defined before.

Examples connecting sources, filters and actions:

1) To send all messages received from local syslog clients to console:

Administration

```
log { source(sysl); destination(d_console);};
```

2) To send only messages with level alert and received from local syslog clients to all logged root user:

```
log { source(sysl); filter(f_alert); destination(d_userroot); };
```

3) To write all messages with levels info, notice, or warning and received from syslog clients (local and remote) to `/var/log/messages` file:

```
log { source(sysl); source(s_udp); filter(f_messages);  
destination(d_messages); };
```

4) To send e-mail if message received from local syslog client has the string “kernel panic”:

```
log { source(sysl); filter(f_kpanic); destination(d_mail1); };
```

5) To send e-mail and pager if message received from local syslog client has the string “root login”:

```
log { source(sysl); filter(f_root); destination(d_mail1); destination(d_pager);  
};
```

6) To send messages with facility kernel and received from syslog clients (local and remote) to remote syslogd:

```
log { source(sysl); source(s_udp); filter(f_kern); destination(d_udp1);  
};
```

Syslog-ng configuration to use with Syslog buffering feature

This configuration example uses the syslog buffering feature, and sends messages to the remote syslogd (10.0.0.1).

VI Method

1. Configure `/etc/portslave/pslave.conf` file parameters.

In the `pslave.conf` file the parameters of the syslog buffering feature are configured as:

```
conf.DB_facility 1  
all.syslog_buffering 100
```

File Description 5.11: portslave.conf necessary configuration

Administration

- a. Add lines to */etc/syslog-ng/syslog-ng.conf* file.

Add the following lines by vi to the file:

```
#local syslog clients
source src { unix-stream("/dev/log"); };
destination d_buffering { udp("10.0.0.1"); };

filter f_buffering { facility(local1) and level(notice); };
#send only syslog_buffering messages to remote server
log { source(src); filter(f_buffering); destination(d_buffering); };
```

File Description 5.12: portslave.conf necessary configuration

Syslog-ng configuration to use with multiple remote Syslog servers

This configuration example is used with multiple remote syslog servers.

VI Method

1. Configure portslave.conf parameters.

In the *pslave.conf* file the facility parameter is configured as:

```
conf.facility 1
```

File Description 5.13: portslave.conf "facility" configuration

Administration

- a. Add lines to `/etc/syslog-ng/syslog-ng.conf` file.

```
# local syslog clients
source src { unix-stream("/dev/log"); };

# remote server 1 - IP address 10.0.0.1 port default
destination d_udp1 { udp("10.0.0.1"); };

# remote server 2 - IP address 10.0.0.2 port 1999
destination d_udp2 { udp("10.0.0.2" port(1999)); };

# filter messages from facility local1 and level info to warning
filter f_local1 { facility(local1) and level(info..warn); };

# filter messages from facility local 1 and level err to alert
filter f_critic { facility(local1) and level(err .. alert); };

# send info, notice and warning messages to remote server udp1
log { source(src); filter(f_local1); destination(d_udp1); };

# send error, critical and alert messages to remote server udp2
log { source(src); filter(f_critic); destination(d_udp2); };
```

File Description 5.14: syslog-ng.conf configuration

CLI Method - Syslog

You can configure Syslog by following the steps below:

1. Open the CLI interface by issuing the command:

```
# CLI
```

- a. Configure the syslog facility number.

This is the facility number for the messages. The remote Syslog server filters received messages according to this parameter.

```
cli>config network syslog facility <local0-local7>
```

Possible values for it ranges from local0 - local7

- a. Set up the server IP address to where syslog messages will be sent

In this example the server will have the fictitious IP address 200.200.200.1.

```
cli>config network syslog add server 200.200.200.1
```

You can repeat this step as many times as necessary, depending on the quantity of remote servers you want to add.

Administration

- a. Activate the configuration.

```
cli> config runconfig
```

- a. Save the configuration.

```
cli> config savetoflash
```

- a. Exit the CLI mode.

To exit the CLI mode and return to ACS 's shell, issue the command:

```
cli> quit
```

5.5 How Syslog Messages are generated

The ACS can generate syslog messages, which enable system administrators to monitor changes in the box. When certain actions/conditions are met through the web interface as well as through CLI or commands which users enter from a shell prompt, the system generates and sends messages to the syslog-ng file.

The messages use the following format:

- Level - the syslog level used
- Tag - a fixed string used by the user to create filters
- Text - the text that contains the condition or action.

Generated Syslog Messages

The syslog messages are generated as a result of specific actions or conditions are as follows:

ACS generates syslog messages when the following conditions are met:

Table 5-5: ACS Syslog Messages Format

Level	Tag	Text
info	[PMD]-Serial Port <i>p</i>	One or more IPDUs were added to the chain. This chain has now X IPDUs and Y outlets
info	AUTH	User [xyz] for session [abc] successfully authenticated
info	AUTH	User [xyz] for session [abc] logged out
info	AUTH	Cancel new admin [abc] login
info	AUTH	Session [%d] timed out", sid
info	CONFIG	Configuration saved to flash
info	CONFIG	New configuration activated
info	CONFIG	Password changed for user [xyz] by user [abc]
info	CONFIG	User [xyz] added by user [abc]
info	CONFIG	User [xyz] deleted by user [abc]
info	CONFIG	Network daemon [daemon name] stopped

Administration

Table 5-5: ACS Syslog Messages Format

Level	Tag	Text
info	APPLICA-TION	User [abc] connected to port [x] (ttySx) via socket server
info	APPLICA-TION	User [abc] connected to port [x] (ttySx) via socket ssh
info	APPLICA-TION	User [abc] connected to port [x] (ttySx) via socket ssh
alert	[PMD]-Serial Port <i>p</i>	Outlet X has been turned OFF by user <user-name>
alert	[PMD]-Serial Port <i>p</i>	Outlet X has been turned ON by user <user-name>
alert	[PMD]-Serial Port <i>p</i>	OVER CURRENT on IPDU #X (current: <current detected> threshold:<threshold configured>)
alert	[PMD]-Serial Port <i>p</i>	One or more IPDUs were removed from the chain. This chain has now X IPDUs and Y outlets
alert	AUTH	User [xyz] login failed
alert	AUTH	User [%s] login failed. There exists another admin session
alert	AUTH	Previous admin session terminated by new admin [abc] login
alert	CONFIG	Network daemon [daemon name] started
alert	SYSTEM	System rebooted by admin [xyz] [hostname] [ip address]
alert	PORT DCD	Port <serial port number> DCD went high
alert	PORT DCD	Port <serial port number> DCD went low
debug	AUTH	User [%s] login failed. Group 'admin' does not exist

Table 5-5: ACS Syslog Messages Format

Level	Tag	Text
debug	AUTH	User [%s] login failed. Maximum number of connected users reached
notice	[PMD]-Serial Port <i>p</i>	PMD has started on this port. The chain has <i>X</i> IPDUs and <i>W</i> outlets.
notice	DAEMON	Web server started on port xx
notice	DAEMON	Web server stopped
notice	DAEMON	Caught SIGINT: Web server stopped
warning	[PMD]-Serial Port <i>p</i>	Current is now back to normal on IPDU # <i>X</i> (current: <current detected> threshold:<threshold configured>)

Note: NOTE ABOUT PMD SYSLOG MESSAGES: To not generate PMD syslog messages, the file `"/etc/pmd.sh"` has to be edited. The parameter `DPARM` must be changed from `"` to `"-s"`. After this, the command `"saveconf"` and `"daemon restart PMD"` must be run.

You can use the information provided in the table above to create filters and generate alarms about events that happens in the ACS itself. More about this issue will be approached in the next section of this chapter.

DCD ON/OFF Syslog messages

The ACS can generate an alert when a serial console cable is removed from the console server or the server/network equipment attached to the console is powered down. Also if a modem is in use then to detected if the modem is still powered on and active.

The DCD signal will be monitored and a syslog message will be generated whenever the state of the signal changes. The syslog message can be handled by `syslog-ng` to generate an event notification.

How to configure

The necessary steps to enable syslog messages generation in the ACS will be described below:

1. Open the `/etc/portslave/pslave.conf` file.

Administration

```
# vi /etc/portslave/pslave.conf
```

- a. Set the *all.dcd* or *sXX.dcd* parameter to *1* in the */etc/portslave/pslave.conf* file.

```
all.dcd 1
```

or

```
sXX.dcd 1
```

Where XX is the desired port number.

- a. Configure the *syslog-ng.conf* file to monitor DCD status.

You can see a practical example here: [“Generating messages and sending them to console if the DCD signal changes its state.” on page 5-182](#)

- a. Save the configuration.

```
# saveconf
```

The source for all generated Syslog messages are “*src_dev_log*”, the only exceptions are Syslog messages generated when DCD goes on/off, that is “*s_kernel*”. You can follow the table on [page 178](#) to create filters and/or trigger alarms.

Examples

To configure the examples given below edit the */etc/syslog-ng/syslog-ng.conf* and add the presented lines.

Generating Syslog messages to be sent to console, when the user root tries to connect together with an already logged root user.

```
filter f_info { level(info); };
filter f_named { match("AUTH"); };
destination console { usertty("root"); };
log { source(src_dev_log); filter(f_info, f_named); destination(console);
};
```

Generating messages and sending them to console when any user login attempt fails.

```
filter f_info { level(alert); };
filter f_named { match("AUTH"); };
destination console { usertty("root"); };
log { source(src_dev_log); filter(f_info, f_named); destination(console);
};
```

Administration

Generating messages and sending them to console if the DCD signal changes its state.

```
filter f_dcdchg { level(alert) and match("PORT DCD") };
destination console { usertty("root"); };
log { source(s_kernel); filter(f_dcdchg); destination(console); };
```

5.6 Generating Alarms (Syslog-ng)

This feature helps the administrator to manage the servers. It filters the messages received by the serial port (the server's console) based on the contents of the messages. It then performs an action, such as sending an email or pager message. To configure this feature, you need to configure filters and actions in the *syslog-ng.conf* file. (You can read more about *syslog-ng* in the [Syslog-ng](#) section.)

How to configure

Alarm generation is strictly related to the syslog-ng configuration. It is highly recommended to read the [Syslog-ng](#) section before configuring this feature. This section will show practical examples of utilization of this feature.

The */etc/portslave.conf* related parameters are:

- `conf.DB_facility` - This value (0-7) is the Local facility sent to the syslog-ng with data when `syslog_buffering` and/or `alarm` is active.
- `all.alarm` - When nonzero, all data received from the port is captured and sent to syslog-ng with INFO level and `LOCAL[0+conf.DB_facility]` facility. This parameter must be set to a non zero value to activate alarm generation.

The syslog-ng reads from sources (files, TCP/UDP connections, syslogd clients), filters the messages and takes an action (writes in files, sends snmptrap, pager, email or syslogs).

Basically, alarms are triggered by a combination of sources, filters and destinations. To connect the sources, filters and actions (any message coming from one of the listed sources, matching the filters (each of them) is sent to the listed destinations). Use this statement:

```
log { source(S1); source(S2); ...
filter(F1);filter(F2);...
destination(D1); Destination(D2);...
};
```

For more information about sources, destinations and filters, please refer to the [Syslog-ng](#) section. This

VI method - Configuration to use with Alarm Feature

This configuration example is used for the alarm feature.

1. Configure the `/etc/portslave/pslave.conf` file parameter.

In the `/etc/portslave/pslave.conf` file the parameters of the alarm feature are configured as:

```
all.alarm 1
conf.DB_facility 2
```

- a. Configure the `/etc/syslog-ng/syslog-ng.conf` file:

This step has the objective to configure the `/etc/syslog-ng/syslog-ng.conf` file. Several examples will be given here. All commands are present (commented) in the original `syslog-ng.conf` file by default. Choose the example that best fits to your application.

Example 1 - To send all messages received from local syslog clients to console.

Insert the lines below at the END of the file `syslog-ng.conf` file, keeping all lines above commented.

```
source sysl {unix-stream("/dev/log");};
destination d_console { file("/dev/ttyS0");};
log { source(sysl); destination(d_console);};
```

File Description 5.15: part of the `/etc/syslog-ng/syslog-ng.conf` file

Example 2 - To send only messages with level alert and received from local syslog clients to all logged root user.

Insert the lines below at the END of the file `syslog-ng.conf` file, keeping all lines above commented.

```
source sysl {unix-stream("/dev/log");};
filter f_alert { level(alert); };
destination d_userroot { usertty("root"); };
log { source(sysl); filter(f_alert); destination(d_userroot); };
```

File Description 5.16: part of the `/etc/syslog-ng/syslog-ng.conf` file

Administration

Example 3 - Write all messages with levels info, notice or warning and received from syslog clients (local and remote) to /var/log/ messages file : Insert the lines below at the END of the file *syslog-ng.conf* file, keeping all lines above commented.

```
source sysl {unix-stream("/dev/log");};
source s_udp { udp(ip(<ip client>) port(<udp port>)); };
filter f_messages { level(info..warn);};
destination d_message { file("/var/log/messages"); };
log { source(sysl); source(s_udp); filter(f_messages); destination(d_messages);};
```

File Description 5.17: part of the /etc/syslog-ng/syslog-ng.conf file

Example 4 - Send e-mail if message received from local syslog client has the string "kernel panic". Insert the lines below at the END of the file *syslog-ng.conf* file, keeping all lines above commented.

```
source sysl {unix-stream("/dev/log");};
filter f_kpanic{facility(local1) and level(info) and match("ALARM") and match("kernel panic");};
destination d_mail1 {
    pipe("/dev/cyc_alarm"
        template("sendmail -t z@none.com -f a@none.com -s \"ALARM\" \\
            -m \"${FULLDATE} $HOST $MSG\" -h 10.0.0.2"));
};
log { source(sysl); filter(f_kpanic); destination(d_mail1);};
```

File Description 5.18: part of the /etc/syslog-ng/syslog-ng.conf file

Example 5 - Send e-mail and pager if message received from local syslog client has the string "root login". Insert the lines below at the END of the file *syslog-ng.conf* file, keeping all lines above commented.

```
source sysl {unix-stream("/dev/log");};
filter f_root {facility(local1) and level(info) and match("ALARM") and match("root login");};
destination d_mail1 {
    pipe("/dev/cyc_alarm"
        template("sendmail -t z@none.com -f a@none.com -s \"ALARM\" \\
            -m \"${FULLDATE} $HOST $MSG\" -h 10.0.0.2"));
};
destination d_pager {
    pipe("/dev/cyc_alarm"
        template("sendsms -d 123 -m \"${FULLDATE} $HOST $MSG\" 10.0.0.1"));
};
log { source(sysl); filter(f_root); destination(d_mail1); destination(d_pager);};
```

File Description 5.19: part of the /etc/syslog-ng/syslog-ng.conf file

Administration

Example 6 - Send messages with facility kernel and received from syslog clients (local and remote) to remote syslogd. Insert the lines below at the END of the file *syslog-ng.conf* file, keeping all lines above commented.

```
source sysl {unix-stream("/dev/log");};
source s_udp { udp(ip(<ip client>) port(<udp port>)); };
filter f_kern { facility(kern); };
destination d_udp1 { udp("10.0.0.1" port(514)); };
log { source(sysl); source(s_udp); filter(f_kern); destination(d_udp1); };
```

File Description 5.20: part of the /etc/syslog-ng/syslog-ng.conf file

a. Activate changes.

To activate the changes made, run the following commands in the presented order:

```
# runconf
# killall syslog-ng
# syslog-ng
```

The first command activate the changes made in the */etc/portslave/plslave.conf* file. The second and the third commands activate the changes made in the */etc/syslog-ng/syslog-ng.conf* file.

a. Save the changes to the flash memory.

To save the changes made, run the command:

```
# saveconf
```

CLI Method - Alarm Notification

The CLI interface allows the configuration of alarm notifications when is an event is generated in any port of the ACS . Generating alarms for the ACS itself is not customizable using the CLI interface.

Into the CLI interface all options are under the following menu:

```
cli> config administration notifications
```

There you'll have the options:

- addemail - Sends a message to the configured e-mail address if the defined string appears.
- addpager - Sends a message to the configured pager if the defined string appears.
- addsnmptrap - Sends a snmp trap to the configured server if the defined string appears.

Administration

- alarm - Activates/Deactivates the alarm feature. If you don't enable it, syslog messages won't be generated when there is incoming data from the ports.
- delete - Deletes any previously configured string.
- edit - Edit any previously configured string.

Example:

The below example will configure the ACS to send an e-mail every time root user logs into a server connected to the a port. We will configure the trigger string as "root login". Note that the server connected to the ACS must be properly configured to send Syslog messages.

1. Open the CLI interface by issuing the command:

```
# CLI
```

- a. Enable Alarm Notification.

You need to enable this option, otherwise messages received in the ports will be ignored and not treated by Syslog-ng.

```
cli> config administration notifications alarm yes
```

- a. Add the trigger string.

Here you need to configure what string will trigger the e-mail notification. In our case it will be "root login".

```
cli> config administration notifications addemail "root login"
```

- a. Configure the necessary parameters.

For sending an e-mail the following parameters need to be configured:

```
add Email>body "Testing configuration"  
add Email>from ACS  
add Email>to someone@yourdomain.com  
add Email>smtpserver 200.200.200.2  
add Email>smtpport 25  
add Email>subject "Testing Config"
```

The above commands configure the from/to fields, SMTP server/port and the subject/body of the e-mail message.

- a. Activate the configuration.

```
cli> config runconfig
```

- a. Save the configuration.

```
cli> config savetoflash
```

- a. Exit the CLI mode.

Administration

To exit the CLI mode and return to ACS 's shell, issue the command:

```
cli> quit
```

5.7 Terminal Appearance

You can change the format of the login prompt and banner that is issued when a connection is made to the system. Prompt and banner appearance can be port-specific as well.

VI Method - Involved parameters and passed values

Terminal Appearance involves the following parameters in the */etc/portslave/pslave.conf* file:

Table 5-6: pslave.conf parameters for Terminal Appearance

configuration

Parameter	Description
all.prompt	This text defines the format of the login prompt. Expansion characters can be used here. Example value: %h login:
all.issue	This text determines the format of the login banner that is issued when a connection is made to the ACS. \n represents a new line and \r represents a carriage return. Expansion characters can be used here. Value for this Example: <pre> \r\n\ Welcome to terminal server %h port S%p \n\ \r\n </pre>
all.lf_suppress	This activates line feed suppression. When configured as 0, line feed suppression will not be performed. When 1, extra line feed will be suppressed.
all.auto_answer_in put	This parameter is used in conjunction with the next parameter, auto_answer_output. If configured and if there is no session established to the port, this parameter will constantly be compared and matched up to the string of bytes coming in remotely from the server. If a match is found, the string configured in auto_answer_output is sent back to the server. To represent the ESC character as part of this string, use the control character, ^[.

configuration **Table 5-6:** pslave.conf parameters for Terminal Appearance

Parameter	Description
all.auto_answer_out put	This parameter is used in conjunction with the previous parameter, auto_answer_input. If configured, and if there is no session established to the port, this parameter is sent back to the server when there is a match between the incoming data and auto_answer_input. To represent the ESC character as part of this string, use the control character, ^[.

CLI Method - Banner

To configure certain parameters for a specific serial port:

1. Open the CLI interface by issuing the command:

```
# CLI
```

- a. Configure the desired banner.

The command below will configure “testing banner” as the default banner for all ports.

```
cli> config physicalports all other banner "testing banner"
```

You can configure different banners for different ports, all you have to do is to change the *ALL* parameter to the desired port number or port range. Eg. *1* or *1-3* (from port 1 to 3).

- a. Activate the configuration.

```
cli> config runconfig
```

- a. Save the configuration.

```
cli> config savetoflash
```

- a. Exit the CLI mode.

To exit the CLI mode and return to ACS ’s shell, issue the command:

```
cli> quit
```

5.8 Centralized Management

The ACS allows centralized management through the use of a Master *pslave.conf* file. Administrators should consider this approach to configure multiple ACS. Using this feature, each unit has a simplified *pslave.conf* file where a Master include file is cited. This common configuration file contains information for all units, properly divided in separate sections, and would be stored on one central server. This file, in our example shown in the following figure, is */etc/portslave/TSccommon.conf*. It must be downloaded to each ACS.

Note: NOTE: Centralized management can mean one big configuration file (the common file) that is placed in a management host. This same file would be downloaded into all ACS boxes (each of those boxes would include a tiny config file and that big common file). In this application, there may or may not be clustering involved. The user may want to access each box individually, without passing through a central point (master), using the common file just to make his/her life easier in regard to maintain the config file. This user could ALSO add the clustering application on a daily basis. Clustering does NOT require a common config file. A common config file does NOT apply to clustering, however, common config files can be used in an integrated manner.

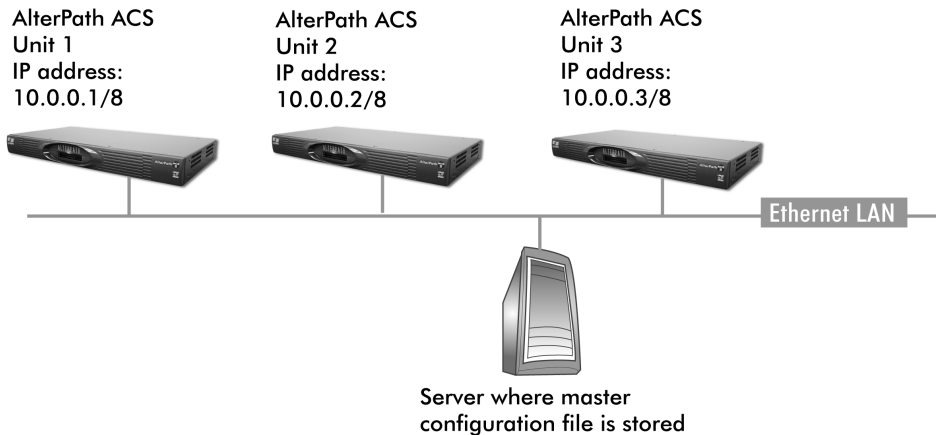


Figure 5.21 - Example of Centralized Management

VI Method - Involved parameters and passed values

The abbreviated */etc/portslave/pslave.conf* and */etc/hostname* files in each unit, for the above example are:

Administration

Unit 1 configuration:

For the `/etc/hostname` file in unit 1:

```
unit1
```

File Description 5.22: Unit 1 /etc/hostname file

For the `/etc/portslave/plsave.conf` file in unit 1:

```
conf.eth_ip 10.0.0.1
conf.eth_mask 255.0.0.0
conf.include /etc/portslave/TScommon.conf
```

File Description 5.23: Unit 1 /etc/portslave/portslave.conf file configuration

Unit 2 configuration:

For the `/etc/hostname` file in unit 2:

```
unit2
```

File Description 5.24: Unit 2 /etc/hostname file

For the `/etc/portslave/plsave.conf` file in unit 2:

```
conf.eth_ip 10.0.0.2
conf.eth_mask 255.0.0.0
conf.include /etc/portslave/TScommon.conf
```

File Description 5.25: Unit 2 /etc/portslave/portslave.conf file configuration

Unit 3 configuration:

For the `/etc/hostname` file in unit 3:

```
unit3
```

File Description 5.26: Unit 3 /etc/hostname file

Administration

For the `/etc/portslave/plsave.conf` file in unit 3:

```
conf.eth_ip 10.0.0.3
conf.eth_mask 255.0.0.0
conf.include /etc/portslave/TScommon.conf
```

File Description 5.27: Unit 3 /etc/portslave/portslave.conf file configuration

The common include file (located in the server) for the example is:

```
all.authtype none
all.protocol socket_server

conf.host_config unit1
all.socket_port 7001+
s1.tty ttyS1
s2.tty ttyS2
...
s16.tty ttyS16
s17.tty 20.20.20.3:7033
s18.tty 20.20.20.3:7034
...

conf.host_config unit2
all.socket_port 7033+
s1.tty ttyS1
s2.tty ttyS2
...
sN.tty ttySN

conf.host_config unit3
all.socket_port 7301+
s1.tty ttyS1
s2.tty ttyS2
...
sN.tty ttySN
conf.host_config end
```

File Description 5.28: Common /etc/portslave/plslave.conf file

When this file is included, unit1 would read only the information between `conf.host_config unit1` and `conf.host_config unit2`. Unit2 would use only the information between `conf.host_config unit2` and `conf.host_config unit3` and unit3 would use information after `conf.host_config unit3` and before `conf.host_config end`.

Steps for using Centralized Configuration

1. Create and save the */etc/portslave/pslave.conf* and */etc/hostname* files in each ACS .
 - a. Create, save, and download the common configuration.

Create and save the common configuration file on the server, then download it (probably using *scp*) to each unit. Make sure to put it in the directory set in the *pslave.conf* file (*/etc/portslave* in the example).

- a. Execute the command *runconf* on each unit.
- a. Test each unit.

If everything works, add the line */etc/portslave/TScommon.conf* to the */etc/config_files* file.

- a. Save the file and close it.
- a. Execute the *saveconf* command.

Note: NOTE: The included file */etc/portslave/TScommon.conf* cannot contain another include file (i.e., the parameter *conf.include* must not be defined). Also, <max ports of ACS > + N(+) is done same way as serial port.

5.9 Date, Time and Timezone

To adjust the date and time use the *date* command. Timezone is configured using the CLI utility, or the *set_timezone* script.

Note: Setting the system timezone creates a new file called */etc/localtime*, which erases the */etc/TIMEZONE*.

Date and Time

The *date* command prints or sets the system date and time.

```
date MMDDhhmmYYYY
```

where:

- MM = month
- DD = day
- hh = hour
- mm = minute
- YYYY = year

For example:

```
date 101014452002
```

displays:

```
Thu Oct 10 14:45:00 <timezone> 2002
```

Note: The time zone is configured using the CLI utility or *set_timezone* script.

CLI Method - Date and Time

Configuring date and time using CLI automatically disables any previously configured NTP server.

To configure date/time using the CLI:

1. Open the CLI interface by issuing the command:

```
# CLI
```

2. Configuring the date.

The date format must follow this syntax: mm/dd/yyyy, where:

Administration

- *mm* - Month
- *dd* - Day
- *yyyy* - Year

The following example configures the date, December, 31st 2005.

```
cli> config administration date/time date 12/31/2005
```

3. Setting the time.

The time format must follow this syntax: hh:mm:ss, where:

- *hh* - hour
- *mm* - minutes
- *ss* - seconds

The following example configures the time, nine o'clock AM:

```
cli> config administration date/time time 09:00:00
```

4. Activate the configuration.

```
cli> config runconfig
```

5. Save the configuration.

```
cli> config savetoflash
```

6. Exit the CLI mode.

To exit the CLI mode and return to ACS 's shell, issue the command:

```
cli> quit
```

Setting Local Timezone

You can set the time to your local timzone using the `set_timezone` command or the CLI utility. The system uses GMT (Greenwich Mean Time) as a reference point.

Configuring using `set_timezone`

1. From a shell within the ACS box, run `set_timezone` as root by entering the following command:

```
#set_timezone
```

Administration

The following options appear:

Please choose the time zone where this machine is located.

```
0)GMT
1)1h West GMT
2)10h West GMT
3)11h West GMT
4)12h West GMT
5)2h West GMT
6)3h West GMT
7)4h West GMT
8)5h West GMT
9)6h West GMT
10)7h West GMT
11)8h West GMT
12)9h West GMT
13)1h East GMT
14)10h East GMT
15)11h East GMT
16)12h East GMT
17)13h East GMT
18)14h East GMT
19)2h East GMT
20)3h East GMT
21)4h East GMT
22)5h East GMT
23)6h East GMT
24)7h East GMT
25)8h East GMT
26)9h East GMT
Type your option:
```

2. Type the number corresponding to your Local GMT and press <Enter>.

A message verifies your selection. For example if you choose 8, the system displays the following message:

Your choice was: GMT+4

3. Run `saveconf` to save your changes.

Note: Setting your system timezone creates a new file called `/etc/localtime`, which erases the old `/etc/TIMEZONE`.

Administration

Configuring Using CLI

You can configure your local timezone using the CLI utility.

1. Enter the following command to enter the CLI mode.

```
#CLI
```

2. At the cli> prompt enter the following command.

```
#cli>config>administration>timezone <value>
```

Note: You can enter the value if known, otherwise, press tab to see the list of possible values.

```
#cli>config>administration>timezone <Press tab to see list of possible values>
```

The following possible values display:

10h_East_GMT	13h_East_GMT	3h_East_GMT	6h_East_GMT	9h_East_GMT
10h_West_GMT	14h_East_GMT	3h_West_GMT	6h_West_GMT	9h_West_GMT
11h_East_GMT	1h_East_GMT	4h_East_GMT	7h_East_GMT	GMT
11h_West_GMT	1h_West_GMT	4h_West_GMT	7h_West_GMT	
12h_East_GMT	2h_East_GMT	5h_East_GMT	8h_East_GMT	
12h_West_GMT	2h_West_GMT	5h_West_GMT	8h_West_GMT	

3. Select the desired GMT zone and enter it at the prompt. For example,

```
#cli>config>administration>timezone 2h_West_GMT
```

4. Activate the configuration.

```
cli> config runconfig
```

5. Save the configuration.

```
cli> config savetoflash
```

6. Exit the CLI mode.

```
cli> quit
```

5.10 NTP (Network Time Protocol)

The `ntpclient` is a Network Time Protocol (RFC-1305) client for UNIX- and Linux-based computers. In order for the ACS to work as a NTP client, the IP address of the NTP server must be set in the file `/etc/daemon.d/ntpclient.conf`. The program `/bin/daemon.sh` reads the configuration file (`/etc/daemon.d/ntpclient.conf`) and runs with the settings of this file.

VI mode configuration

The file `/etc/daemon.d/ntpclient.conf` has all the configurable parameters. The parameters that are not presented in the table below should not be changed.

1. Edit the `/etc/daemon.d/ntpclient.conf` and change the parameters according to the table below:

Table 5-7: `/etc/daemon.d/ntpclient.conf` parameters

Parameter	Description
ENABLE	This parameter enables the NTP client. It defaults to NO, to enable it choose "YES".
NTPSERVER	NTP server ip address.
NTPINTERVAL	Time in seconds to ask server.
NTPCOUNT	Specifies how many times the server will be asked. 0 means forever.
NTP_OPT	Other ntp parameters. The possible values for this parameter are listed below: <ul style="list-style-type: none"> • <code>-d</code> -> Print diagnostics • <code>-h hostname</code> -> NTP server host (mandatory). • <code>-l</code> -> Attempt to lock local clock to server using <code>adjtimex(2)</code>. • <code>-p port</code> -> Local NTP client UDP port. • <code>-r</code> -> Replay analysis code based on stdin. • <code>-s</code> -> Clock set (if count is not defined this sets count to 1).

- a. Activate and save the changes made.

To activate the configuration, issue the following command:

```
# daemon.sh NTP restart
```

Administration

To save the changes, run the command:

```
# saveconf
```

CLI Method - NTP

To configure an NTP server using the CLI follow the steps below:

1. Open the CLI interface by issuing the command:

```
# CLI
```

a. Set the IP address of the NTP server.

```
cli> config administration ntp xxx.xxx.xxx.xxx
```

Where xxx.xxx.xxx.xxx is the IP address of the NTP server.

Note: NOTE: To deactivate the NTP service you just need to configure date by issuing the command:

```
cli> config administration date/time date <mm/dd/yyyy>
```

a. Activate the configuration.

```
cli> config runconfig
```

a. Save the configuration.

```
cli> config savetoflash
```

a. Exiting the CLI mode.

To exit the CLI mode and return to ACS 's shell, type the following command:

```
cli> quit
```


5.11 Session Sniffing

When multiple sessions are allowed for one port, the behavior of the ACS will be as follows:

1. The first user to connect to the port will open a common session.
2. From the second connection on, only admin users will be allowed to connect to that port. The ACS will send the following menu to these administrators (defined by the parameter *all.admin_users* or *sN.admin_users* in the file *pslave.conf*):

```
* * * ttySN is being used by (<first_user_name>) !!!
*
1 - Initiate a regular session
2 - Initiate a sniff session
3 - Send messages to another user
4 - Kill session(s)
5 - Quit

Enter your option:
```

If the user selects *1 - Initiate a regular session*, s/he will share that serial port with the users that were previously connected. S/he will read everything that is received by the serial port, and will also be able to write to it.

If the user selects *2 - Initiate a sniff session*, s/he will start reading everything that is sent and/or received by the serial port, according to the parameter *all.sniff_mode* or *sN.sniff_mode* (that can be in, out or i/o).

When the user selects *3 - Send messages to another user*, the ACS will send the user's messages to all the sessions, but not to the tty port.

Everyone connected to that port will see all the "conversation" that's going on, as if they were physically in front of the console in the same room. These messages will be formatted as:

```
[Message from user/PID] <<message text goes here>> by the ACS. To
inform the ACS that the message is to be sent to the serial port or not, the
user will have to use the menu.
```

If the administrator chooses the option *4 - Kill session(s)*, the ACS will show him/her a list of the pairs PID/username, and s/he will be able to select one session typing its PID, or "all" to kill all the sessions. If the administrator kills all the regular sessions, his session initiates as a regular session automatically.

Administration

Option 5 - Quit will close the current session and the TCP connection.

Only for the administrator users: Typing *all.escape_char* or *sN.escape_char* from the sniff session or “send message mode” will make the ACS show the previous menu. The first regular sessions will not be allowed to return to the menu. If you kill all regular sessions using the option 4, your session initiates as a regular session automatically.

VI Method - Involved parameters and passed values

Session sniffing involves the following parameters in the */etc/portslave/pslave.conf*:

- *all.admin_users* - This parameter determines which users can receive the sniff menu. When users want access per port to be controlled by administrators, this parameter is obligatory and *authType* must not be none. User groups (defined with the parameter *conf.group*) can be used in combination with user names in the parameter list. Example values: peter, john, user_group.
- *all.sniff_mode* - This parameter determines what other users connected to the very same port (see parameter *admin_users* below) can see of the session of the first connected user (main session): *in* shows data written to the port, *out* shows data received from the port, and *i/o* shows both streams, whereas *no* means sniffing is not permitted. The second and later sessions are called sniff sessions and this feature is activated whenever the protocol parameter is set to *socket_ssh*, *socket_server*, or *socket_server_ssh*. Example value: *out*.
- *all.escape_char* - This parameter determines which character must be typed to make the session enter menu mode. The possible values are <CTRL-a> to <CTRL-z>. Represent the CTRL with character: ^. This parameter is only valid when the port protocol is *socket_server* or *socket_ssh*. Default value is ^z.
- *all.multiple_sessions* - If it is configured as *no*, only two users can connect to the same port simultaneously. If it is configured as *yes*, more than two simultaneous users can connect to the same serial port. A “Sniffer menu” will be presented to the user and they can choose either to open a sniff session; to open a read and/or write session; to cancel a connection; or to send a message to other users connected to the same serial port. If it is

Administration

configured as *RW_sessions*, only read and/or write sessions will be opened, and the sniffer menu will not be presented. If it is configured as *sniff_session* only, a sniff session will be opened, and the sniffer menu won't be presented. Default value: *no*.

- *all.multiuser_notif* - Multiple User notification selects if users of a certain serial port should receive a warning message every time a new user logs in or out. By default this parameter is not activated. The warning messages doesn't go to the buffering file and will be like the following example:

```
WARNING: New user connected to this port.  
Current number of users: x
```

or

```
WARNING: User disconnection from this port.  
Current number of users: x
```

Where x is the current number of connected users. The last user will know he/she is alone again when x = 1.

CLI Method - Session Sniffing

To configure session sniffing using the CLI interface follow the steps:

1. Open the CLI interface by issuing the command:

```
# CLI
```

- a. Configure sniffing parameters.

The multiuser state configuration is under the menu:

```
cli>config physicalports <'all' or range/list[1-4]> multiuser
```

Under this menu you can configure the following parameters:

- hotkey - This parameter configures the escape character. The chosen character must be preceded by the '^' character. Eg.: ^k.
- notifyusers - To configure multiuser notification (YES or NO).
- multisessions - To configure multiple sessions. Valid values are: yes, no, ro, rw.
- privilegeusers - This parameter determines which users can receive the sniff menu.
- sniffmode - Determines what other users connected to the very same port can see of the session of the first connected user

Administration

(main session). Valid values are: *in* - shows data written to the port; *out* - shows data received from the port; *in/out* - shows both streams; *off* - disables sniffing.

- a. Activate the configuration.

```
cli> config runconfig
```

- a. Save the configuration.

```
cli> config savetoflash
```

- a. Exiting the CLI mode.

To exit the CLI mode and return to ACS 's shell, type the following command:

```
cli> quit
```

5.12 Saveconf and Restoreconf

The ACS has two utilities that are responsible for saving and restoring the unit's configuration. Both are going to be described in this section.

Saveconf Utility

The syntax is:

```
# saveconf [media <media parameters>]
```

Where *media* can be any of these options:

- *<none>* - Save the configuration to internal flash
- *local <remote Path and filename>* - Save the configuration to the local file *<remote Path and filename>*
- *ftp <remote Path and filename> <IP address of the FTP server> <username> <password>* - Save the configuration to the remote FTP server
- *sd [default] [replace]* - Save the configuration to the PCMCIA storage device (Compact Flash or IDE)

The new media is *storagedevice* which has the two parameters, *default* and *replace*.

The *saveconf* utility creates one file in the storage device to save the default and replace flags. The filename is: */mnt/ide/proc/flash/storageOptions* and it can contain the words *DEFAULT* and/or *REPLACE*.

Restoreconf Utility

The syntax is :

```
# restoreconf [media <media parameters>]
```

Where *media* can be any of these options:

- *<none>* - Read the configuration file from the PCMCIA storage device and if the *DEFAULT* flag is set, use this file as the configuration default and if the *REPLACE* flag is set, copy this file to the internal flash of the ACS. If the *DEFAULT* flag is not set or there is no configuration file in the PCMCIA storage device, read the configuration from the internal flash
- *local <remote Path and filename>* - Read the configuration from the local file *<remote Path and filename>*.

Administration

- `ftp <remote Path and filename> <IP address of the FTP server> <username> <password>` - Read the configuration from the remote FTP server
- `sd` - Read the configuration from the PCMCIA storage device (Compact Flash or IDE) and if the REPLACE flag is set, copy the file to the internal flash of the ACS.

CLI Method - Save/Restore Configuration

Configuration can be saved/restored through the following menus:

- Saving the configuration to the internal flash memory

```
cli>config savetoflash
```

- Saving the configuration to a PCMCIA storage device:

```
cli>administration backupconfig saveto sd [default] [replace]
```

- Saving the configuration to a remote server using FTP protocol:

```
cli>administration backupconfig saveto ftpserverip <n.n.n.n> pathname  
<string> username <string> password <string>
```

- Loading the configuration from a PCMCIA storage device:

```
cli>administration backupconfig loadfrom sd [default] [replace]
```

- Loading the configuration from a remote server using FTP protocol:

```
cli>administration backupconfig loadfrom ftpserverip <n.n.n.n> pathname  
<string> username <string> password <string>
```

5.13 Start and Stop Services

This feature allows daemons (services) to be enabled or disabled without need of reboot the unit. A simple engine detects configuration changes (file comparison). This feature is implemented with shell scripts. There is one main shell script called *daemon.sh* and one sourced shell script (included by *daemon.sh*) for every daemon (service) that runs in the unit. The shell script *daemon.sh* must be run once by inittab and every time a configuration change is made. The *daemon.sh* reads a file */etc/daemon_list* which contains the names of all sourced shell scripts and performs the start/stop/restart operation needed if any file related to service was changed. The *daemon.sh* will keep a hidden copy, prefixed with “.” and suffixed with *.tmp*, of all related files in the directory */var/run*.

Each sourced shell script has a set of mandatory shell variables handled directly by the shell script *daemon.sh*. The sourced shell scripts may have other shell variables not handled directly by *daemon.sh*. Such variables have the sole purpose of facilitating the configuration of command line parameters.

The mandatory shell variables define:

1. If the service is enabled or disabled. (ENABLE=YES/NO)
2. The pathname to the daemon. (DNAME=<daemon name, DPATH=<daemon path>)
3. How to restart the daemon: by signal (kill, hup, term, etc) or by command (start, stop. etc). (DTYPE=sig/cmd)
4. Signal to be sent to the daemon. Default is term. (DSIG=<signal>)
5. A list of configuration files. The files in this list will be checked for changes. (ConfigFiles=<config file list>)
6. A initialization shell script that will be run before start the service. (Shell-Init=<shell_script_name [command line parameters]>)
7. Command line parameters to start the daemon. (DPARM=<command line parameters>)
8. Command Line parameters to stop the daemon. (DSTOP=<command line parameters>)

The *daemon.sh* may be executed in two ways:

1. Without parameters in the command line, it will check the configuration files of the service and restart or stop it if needed.
2. It will perform the requested action (stop/restart) in the list of services given in the command line regardless any configuration changes.

Administration

The command `daemon.sh help` will display a list of services available. Currently the following services are handled by `daemon.sh`. The first column is the service ID, the second is the name of the shell script file.

NIS	/etc/daemon.d/ypbind.conf
RPC	/etc/daemon.d/portmap.conf
DB	/etc/daemon.d/cy_buffering.sh
NET	/etc/daemon.d/inetd.sh
LOG	/etc/daemon.d/syslog.sh
SSH	/etc/daemon.d/sshd.sh
NTP	/etc/daemon.d/ntpclient.conf
SNMP	/etc/daemon.d/snmpd.sh
IPSEC	/etc/daemon.d/ipsec.sh
PMD	/etc/daemon.d/pmd.sh
LP	/etc/daemon.d/lpd.sh
WEB	/etc/daemon.d/webui.conf
GDF	/etc/daemon.d/gendial.sh

The following example will restart power management and Data Buffering services and it will stop SSH and network timer client services :

```
# daemon.sh PMD stop SSH NTP restart DB
```


Administration

How to Configure Them

Example of sourced shell script that activates the ntpclient service (type sig).

```
# This file defines the NTP client configuration

ENABLE=NO                # Must be "NO" or "YES" (uppercase)
DNAME=ntpclient          # daemon name
DPATH=/bin               # daemon path
ShellInit=               # Performs any required initialization
ConfigFiles=            # configuration files
DTYPE=sig                # must be "sig" or "cmd" (lowercase)
DSIG=kill                # signal to stop/restart the daemon
(lowercase)

                        # if it's hup term will be used to stop the
daemon

# daemon command line parameters
NTPSERVER="-h 129.6.15.28"      # NTP server ip address
NTPINTERVAL="-l 300"           # Time in seconds to ask server
NTPCOUNT="-c 0"              # counter : 0 means forever
DPARAM="$NTPCOUNT $NTPSERVER $NTPINTERVAL"
DSTOP=
```

File Description 5.29: /etc/daemon.d/ntpclient.conf file

Example of sourced shell script that activates the ipsec service.

```
# This file defines the ipsec configuration
ENABLE=NO                # Must be "NO" or "YES" (uppercase)
DNAME=ipsec              # daemon name
DPATH=/usr/local/sbin    # daemon path
ShellInit=/etc/ipsec.init # Performs any required initialization
ConfigFiles=            # configuration files
DTYPE=cmd                # must be "sig" or "cmd"
DSIG=kill                # signal to stop/restart the daemon
(lowercase)

                        # if it's hup term will be used to stop the
                        daemon

# daemon command line parameters
DPARAM="setup --start"
DSTOP="setup --stop"
```

File Description 5.30: /etc/daemon.d/ipsec.sh file

5.14 Security Profiles

A Security Profile consists of a set of parameters that can be set to control access to the ACS. The ACS offers three pre-defined security profiles, **Secured**, **Moderate**, **Open**, and an option to configure a **Custom** profile. A fifth option, **Default** sets the parameters to the same as **Moderate**. The following tables illustrates the properties for each of the Security Profiles. The enabled services in each profile is designated with a check mark. Note that the **Default** option will set the parameters to the same as **Moderate**, and the **Custom Profile** allows for individual configurations.

Table 5-8: Enabled services to access the ACS box for each security profile.

Access to ACS	Secured	Moderate	Open	Default	Custom
Telnet			✓		
SSHv1		✓	✓	✓	✓ Port 22
SSHv2	✓	✓	✓	✓	✓ Port 22
Allow SSH root access		✓	✓	✓	
HTTP		✓	✓	✓	✓ Port 80
HTTPS	✓	✓	✓	✓	✓ Port 443
HTTP redirection to HTTPS		✓		✓	✓

Table 5-9: Enabled services to access the serial ports for each profile.

Access to Serial Ports	Secured	Moderate	Open	Default	Custom
Console (Telnet)		✓	✓	✓	✓
Console (SSH)	✓	✓	✓	✓	✓
Console (Raw)		✓	✓	✓	✓

Administration

Access to Serial Ports	Secured	Moderate	Open	Default	Custom
Serial Port Authentication	✓				
Bidirect (Dynamic Mode Support)		✓	✓	✓	✓

Table 5-10: Enabled protocols for each profile shown with a check mark.

Other Services	Secured	Moderate	Open	Default	Custom
SNMP			✓		
RPC			✓		
ICMP		✓	✓	✓	✓
FTP					
IPSec					

CLI Method - Selecting a Pre-defined Security Profile

1. Open the CLI interface by issuing the command:

```
#CLI
```

- a. Enter the Security Profile menu:

```
cli> config security profile
```

- a. Type one of the pre-defined Security Profiles and press Enter:
profile> **secured moderate open default**

- a. To view the details of the selected profile, type the command:
profile> show

Administration

A window similar to following appears showing the details of the profile:

```
profile>show
[profile]
[open]: custom
[moderate]: custom
[secured]: custom
.[custom]
ftp: no
telnet: yes
..[ssh]
sshv1: yes
sshv2: yes
sshd_port: 22
root_access: no
snmp: yes
..[web]
http: yes
https: yes
http_port: 80
https_port: 443
http2https: no
rpc: yes
ipsec: no
icmp: yes
..[ports]
ssh2sport: yes
telnet2sport: yes
raw2sport: yes
auth2sport: no
```

CLI Method - Configuring a Custom Profile

1. Open the CLI interface by issuing the command:

```
#CLI
```

- a. Enter the Custom Security Profile menu:

```
cli> config security profile custom
```

Administration

custom>

a. Configure Network Protocols.

The following parameters are available under custom menu:

- FTP
- ICMP
- IPSec
- RPC
- SNMP
- Telnet

To enable or disable a parameter issue the following command:

```
custom> [parameter] <option>
```

Where possible values for <option> are **yes** to enable and **no** to disable the parameter.

To see the Custom profile configuration, type the command “show”.

```
custom> show
```

Administration

A window similar to the following appears showing the details of the profile:

```
custom>show
[custom]
ftp: no
telnet: yes
.[ssh]
sshv1: yes
sshv2: yes
sshd_port: 22
root_access: no
snmp: yes
.[web]
http: yes
https: yes
http_port: 80
https_port: 443
http2https: no
rpc: yes
ipsec: no
icmp: yes
.[ports]
ssh2sport: yes
telnet2sport: yes
raw2sport: yes
auth2sport: no
```

a. Configure Secure Shell (SSH) options.

Change the directory from `custom>` to `ssh>`. The following parameters are available under the `ssh>` menu:

- SSHv1 - Secure Shell version 1
- SSHv2 - Secure Shell version 2
- sshd_port - SSH port ID
- root_access - Allow root access

To enable or disable a parameter issue the following command:

```
ssh> [parameter] <option>
```

Where possible values for `<option>` are **yes** to enable and **no** to disable a parameter.

To assign an SSH port, type:

```
ssh> sshd_port <portnumber>
```

Administration

To see the SSH configuration type the command “show”

```
ssh> show
```

A window similar to the following appears showing the details of the

```
Note: ssh>show  
Note: [ssh]  
Note: sshv1: yes  
Note: sshv2: yes  
Note: sshd_port: 22  
Note: root_access: no
```

profile:

- a. Configure Web Access Protocols.

Change the directory from custom> to web>. The following parameters are available under the web> menu:

- http
- http_port
- http2https
- https
- https_port

To enable or disable a parameter type the command:

```
web> [parameter] <option>
```

Where possible values for <option> are **yes** to enable and **no** to disable a parameter.

To assign an http or https port, type:

```
web> http <portnumber> https <portnumber>
```

To see the web configuration type the command “show”.

```
ssh> show
```

```
Note: web>show  
Note: [web]  
Note: http: yes  
Note: https: yes  
Note: http_port: 80  
Note: https_port: 443  
Note: http2https: no
```

Administration

a. Configure Access to Serial Ports.

Change the directory from `custom>` to `ports>`. The following parameters are available under the `ports>` menu:

- `auth2sport` - Authentication to Access Serial Ports
- `ssh2sport` - SSH to Serial Ports
- `raw2sport` - Raw Connection to Serial Ports
- `telnet2sport` - Telnet to Serial Ports

To enable or disable a parameter issue the command:

```
ports> [parameter] <option>
```

Where possible values for `<option>` are **yes** to enable and **no** to disable a parameter.

To see the ports configuration type the command “show”

```
ports> show
```

Note: `ports>show`

Note: `[ports]`

Note: `ssh2sport: yes`

Note: `telnet2sport: yes`

Note: `raw2sport: yes`

Note: `auth2sport: no`

a. To activate the configuration, type the following command:

```
cli> config runconfig
```

a. To save the configuration, type the following command:

```
cli> config savetoflash
```

a. To exit CLI and return to the shell, type the following command:

```
cli> quit
```

Note: The protocols and access methods for the Serial Ports must match the selected Security Profile. To configure parameters for the Serial Ports, see “Chapter 8 - Profile Configuration” on page 8-289.

Chapter 6

Power Management with AlterPath™ PM Integration

The AlterPath™ PM is a family of Intelligent Power Distribution Units (IPDUs) that enables remote power control of servers and network gear. Through a serial port, the administrator can use the AlterPath PM to control all the equipment connected to its outlets, using operations like On, Off, Cycle, Lock, and Unlock.

When used in conjunction with Cyclades console servers, the AlterPath PM delivers easier management capabilities and faster problem solving by integrating console access and power control into a single interface. The administrator can, for example, reboot the data center equipment when it crashes, without leaving his console session (Telnet or SSH). To do that, the administrator must simply press a configurable hotkey and select the appropriate option from the menu displayed in the session.

This chapter approaches all configuration that is integrated with the AlterPath ACS. Below are the sections that are going to be presented in this chapter:

- [Power Management Configuration](#)
- [ACS Firmware Upgrade](#)
- [SNMP Proxy](#)

6.1 Power Management Configuration

The ACS can have multiple PMs connected to serial ports that are configured for power management. Devices can be plugged into outlets on the PMs and also connected to other serial ports on the ACS. In addition one or more outlets can be configured for each port and controlled individually or simultaneously with other outlets in a configured group. The ACS administrator can control all outlets or can assign outlets to individual users or groups of users.

Figure 6.1 shows a typical setup for the AlterPath PM and the AlterPath ACS. The AlterPath PM's serial console is connected to port YY of the Console Server, the server's serial console is connected to port XX of the Console Server, and the server's power plug is connected to power outlet ZZ on the AlterPath PM.

Power Management with AlterPath™ PM Integration

For hardware and cabling installation instructions for the AlterPath PM, Please refer to the AlterPath PM User Guide included in the product.

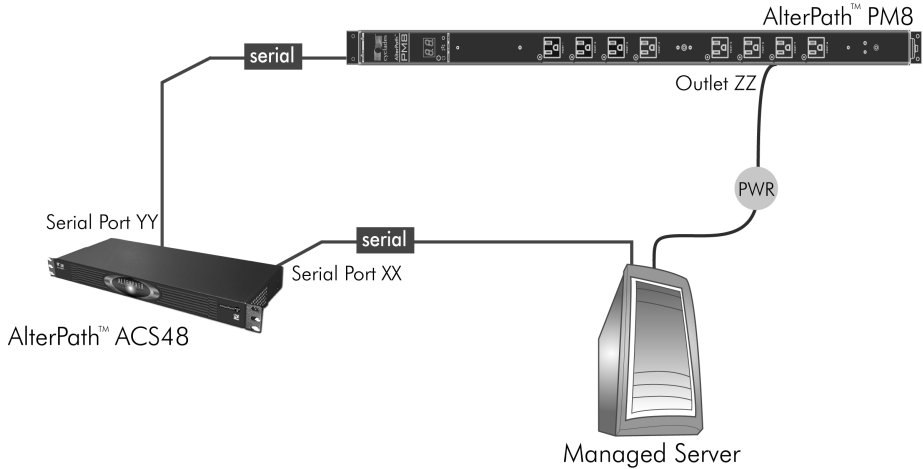


Figure 6.1 - Configuration diagram

Figure 6.1 - Configuration diagram shows a typical setup for the AlterPath PM and the AlterPath ACS. The AlterPath PM's serial console is connected to port YY of the Console Server, the server's serial console is connected to port XX of the Console Server, and the server's power plug is connected to power outlet ZZ on the AlterPath PM. These port denominations will be used in the descriptions below.

Prerequisites for Power Management

In order to control individual outlets or groups of outlets from the Multi Outlet Control page, the following prerequisites must be met:

- An AlterPath PM must be plugged into one of the serial ports, and that serial port must be configured for power management.
- A device must be plugged into at least one outlets on the PM, and this device must be connected to a serial port.
- The PM and the outlet numbers to which the device is plugged must be configured on the serial port to which the device is connected.

Configuring Power Management

There are two different types of parameters:

Power Management with AlterPath™ PM Integration

VI Method - Involved parameters and passed values

1. Parameters to the port YY where the AlterPath PM is connected:

- *sYY.protocol*: New protocol Integrated Power Distribution Unit. For example: ipdu.
- *sYY.pmtyp*: The IPDU manufacturer. For example: cyclades.
- *sYY.pusers*: The user access list. For example: jane:1,2;john:3,4. The format of this field is:

```
[<username>:<outlet list>] [<username>:<outlet list>...]
```

where <outlet list>'s format is:

```
[<outlet number>|<outlet start>-<outlet end>] [,<outlet number>|<outlet start>-<outlet end>]
```

The list of users must be separated by semicolons (;); the outlets should be separated by commas (,) to indicate a list or with dashes (-) to indicate range; there should not be any spaces between the values.

- *sYY.pmNumOfOutlets*: the number of outlets of the AlterPath PM. Default: 8.
- *sYY.pmsessions*: Only users logged in with the connection method defined by this parameter will be allowed to access the IPDU unit. It is also necessary to define the authentication method in the *sXX.authtype* parameter and configure the *sXX.users* parameter in order to allow users to access the IPDU port. Valid values are: "none", "ssh", "telnet" or "ssh_telnet".

IMPORTANT: *By defining the sYY.pmsessions parameter and making all other necessary configuration, an user can access the IPDU directly by opening a SSH or Telnet connection to the desired port. The user will be prompted to enter the username and password, then he/she will have direct access to the pmCommand menu.*

2. Parameters to the other ports where the servers are connected:

- *all.protocol*: Protocols for the CAS profile. For example: socket_server, socket_raw, socket_ssh.
- *all.pmkey*: The hot-key that starts a power management session. Default: ^p (Ctrl-p).
- *sYY.pmoutlet*: The outlet list where the server XX is plugged. The outlet is passed as a pair /PM_serial_port.outlet_number/. If the server has a dual power supply, the outlets are separated by space char. For example, one power supply is plugged in the second outlet of the IPDU connected in serial port 1. The other is plugged in the third outlet of the IPDU connected in serial port 5. The value is 1.2 5.3".

SXX.PMUSERS NOTES: *The ellipses in the field format for sXX.pusers means that you can add as many users as you need. The [] indicates that the parameter is optional, again indicating that you can configure more than one user. The separator is the semicolon.*

Power Management with AlterPath™ PM Integration

CLI Method - IPDU Configuration

The CLI allows you to set some ports to the *pm* protocol. Configuring a port with the *pm* protocol means that you have an IPDU connected to it. Then you will have to configure power management parameters in other ports that are not configured as protocol *pm*.

Example: To show how power management works in the CLI, we will approach a practical example.

Suppose that we have a 4-port ACS unit and an IPDU, with eight outlets, connected to serial port 1 of the ACS.

To manage the IPDU we will have to configure port 1 as *pm* protocol and then associate which ports (anyone, but port 1) of the ACS unit will be allowed to issue power management commands to port 1.

Step 1 - Open the CLI interface by issuing the command.

```
# CLI
```

Step 2 - Enable the serial port that the IPDU is connected to. For example, serial port 1 is being configured for IPDU.

```
cli>config physicalports 1 enable yes
```

Step 3 - Configure the serial port that the IPDU is connected to. For example, serial port 1 is being configured for IPDU.

```
cli>config physicalports 1 general protocol pm
```

You can specify from what type of session (SSH, Telnet or both) users will be allowed to connect to the IPDU.

```
cli>config physicalports 1 general pmsessions ssh
```

The command above restricted the access to the IPDU port, only for users that connect to the AlterPath ACS via SSH. Valid values for the *pmsessions* parameter are: *ssh*, *telnet*, *ssh_telnet* and *none*.

Step 4 - Configure from which ports of the ACS, commands to the configured IPDU port will be allowed to be issued.

We will allow users connected to serial port 2, to run power management commands to the IPDU connected to the serial port1 of the ACS.

```
cli>config physicalports 2 powermanagement
```

```
powermanagement>enable addoutlet pm 1 outlets 1,2
```

Power Management with AlterPath™ PM Integration

The above configuration makes an association between the outlet numbers (outlet 1 and outlet 2) and the power strip connected at port 1. The logic means that this server's power cords are plugged into outlet 1 and 2 of the power strip connected to port 1.

Step 5 - Configuring allowed users.

You can restrict access to IPDU units just for some users, to do that issue the command:

```
enable> pmusers test1,test2
```

The command above allows the users test1 and test2 to run power management commands into the IPDU connected to serial port 1.

Step 6 - Configuring the hotkey.

You also need to define a hotkey, otherwise users will not be able to open the IPDU menu:

```
enable> pmkey ^i
```

Step 7 - Checking the configuration

```
enable> show
```

You should be prompted with something like this:

```
[enable]
pmkey: ^i
pmusers: test1,test2
[PM Alias and Outlet Number]:
Port1 - [no alias] Outlets:1,2
```

Step 8 - Activating the configuration.

Return to the main menu by running the command:

```
enable> return
powermanagement> return
config>
```

Then, run the command:

```
config > runconfig
```

Step 9 - Saving the configuration.

```
config > savetoflash
```

Power Management with AlterPath™ PM Integration

Step 10 - Managing the IPDU unit.

To manage the outlets of the IPDU issue the command:

```
cli>applications pm 1
```

Where “1” is the port number where the IPDU is connected in the ACS.

You’ll be prompted with the *pm command* menu. You can find more information about the [“pm command” on page 240](#)

Step 11 - Exiting the CLI mode.

To exit the CLI mode and return to ACS’s shell, type the following command:

```
cli> quit
```

How to change the IPDU Password

Step 1 - Change the connection protocol on the serial port that the IPDU is connected to.

a) Change the connection protocol on the serial port by editing the */etc/portslave/pslave.conf* file. For example, change the serial port 1 protocol from *ipdu* to *socket_ssh* or *socket_server*.

```
s1.protocol socket_ssh, or
```

```
s1.protocol socket_server
```

b) Save the *pslave.conf* file and activate the new configuration by entering the following command.

```
[root@CAS root]# runconf
```

Step 2 - Access the IPDU console using the protocol you have selected indicating the port which the IPDU is connected to.

For example, if a *socket_sever* protocol is selected in Step 1, do the following.

```
[root@CAS root]# telnet <ASC ip address> [tcp port number]
```

where the *TCP port number* is the serial port that the IPDU is connected to.

The following prompt appears:

```
Entering charater/text Mode
```

```
Escape character is ^]
```

Power Management with AlterPath™ PM Integration

AlterPath PM
Copyright (c) 2002-2003 Cyclades Corporation
V 1.5.0 Oct 25, 2004
[PM]: IPDU: 2
[PM]: OUT: 16
Username:

Step 3 - Login to the IPDU console.

Login to the IPDU using the factory-default username/password *admin/pm8*.

Step 4 - Change the IPDU password using the *passwd* command in the IPDU console as follows.

a) The *pm>* command appears after you login.

Enter the *passwd* command at the prompt, and follow the prompts to enter the new password.

```
pm> passwd
Password:
Re-enter password:
Username/password set for user admin.
pm>
```

b) Save the new password by issuing the command:

```
pm> save

The system prompt the following:

Saving configuration to flash on IPDU #1 ... Done.

pm>
```

Step 5 - Close the connection to access the IPDU console by entering the escape character ^] (Ctrl-])

Step 6 - Edit the */etc/pm.** config file and change the *passwd* parameter as follows:

```
admPasswd="<put the password you saved in IPDU>"
```

b) Save the new *pm.** file and activate the new configuration by entering the following command.

```
[root@CAS root]# saveconf
```

Step 7 - Change the connection protocol for the serial port back to the original IPDU.

Power Management with AlterPath™ PM Integration

a) Edit */etc/portslave/pslave.conf* file as follows:

```
s1.protocol ipdu
```

b) Save the *pslave.conf* file and enter the following command to activate the new configuration.

```
[root@CAS root]# runconf
```

Step 8 - Restart the *pmd* process for the new configuration file to take effect.

pmd is a Linux daemon process to control the communication between ACS and PM.

a) Execute the *ps* command to note the current *pmd* process

```
[root@CAS root]# ps -fe/grep pmd
 878 root          644 S   /bin/pmd
1108 root          552 S   grep pmd
```

b) Restart the *pmd* process by issuing the following command.

```
[root@CAS root]# daemon.sh restart PMD
```

The system prompts the following:

```
[root@CAS root]# Sep 22 14:32:04 src_dev_log@CAS showlogmsg:/bin/daemon.sh:
CONFIG: Network daemon [pmd] started
```

c) Check to see if the process restarted. Note the process ID, which should be different from the earlier executed *ps* command.

```
[root@CAS root]# ps -fe/grep pmd
1126 root          680 S   /bin/pmd
1130 root          552 S   grep pmd
```


Accessing the AlterPath PM regular menu from the Console Session

The Power Management Utility can be used to manage power on devices plugged into one or more outlets on an AlterPath PM. The PM Utility can be started by the following two methods.

1. Issuing the `pm` command, which invokes the following menu and prompt:

```

-----
Cyclades Corporation
Power Management Menu v1.0
-----
-----
Cyclades Power Management Menu
-----
1. Exit 2. individual ipdus   3. multi-outlet device  4. Info
Please choose an option:
    
```

The following table explains each menu item, its use and behavior.

Table 6.1: Menu Options for PM Utility

Command	Description
Exit	Exits the PM Utility and returns to the ACS shell.
Individual IPDUs	Invokes a menu for controlling and monitoring IPDUs and for controlling power on their individual outlets. See “Manage Devices Plugged into a Single Outlet” on page 226 for more details.
Multi-outlet device	Invokes a menu for controlling power on groups of outlets connected to devices. These outlets can be on the same or on different IPDUs. See “Manage Devices Plugged into Multiple Outlets” on page 229 for more details.
Info	Shows help text explaining each option.

Power Management with AlterPath™ PM Integration

2. Issuing the *pmCommand*

Use: *pmCommand* <serial port number> <command> <arguments>

where,

<serial port number> is the serial port number configured as IPDU
<command> <arguments> are the PM command and its arguments.

See the list of commands in Table 6.2.

Using the Power Management Utility

You can use the Power Management Utility to control IPDUs and individual outlets.

Manage Devices Plugged into a Single Outlet

Selecting option “2” for “Individual IPDUs” from the PM menu invokes the following prompt:

```
Give serial port number:
```

Power Management with AlterPath™ PM Integration

Entering the serial port number that is configured for power management brings up the following menu options:

```
-----  
Cyclades Corporation  
Power Management Menu v1.0  
-----  
PowerPort: PM  
Number of units: 2  
Serial Port: 1  
-----  
Cyclades Power Management Menu  
  
PowerPort: PM  
-----  
1. Return                9. Status                17. Factory Default  
2. Help                  10. Power Up Interval   18. Reboot  
3. Who Am I              11. Name                 19. Restore  
4. On                    12. Current              20. Save  
5. Off                   13. Temperature         21. Syslog  
6. Cycle                 14. Version              22. Alarm  
7. Lock                  15. Buzzer  
8. Unlock                 16. Current Protection  
  
Please choose an option:
```

The following table explains each menu item, its use and behavior.

Table 6.2: Power Management Individual IPDUs Menu

Command	Description
Return	Exits and returns to the main power management menu.
Help	Provides a brief description of the menu items.
Who Am I	Displays the current username.
On	Turns an outlet On. Prompts you to enter the outlet number.
Off	Turns an outlet Off. Prompts you to enter the outlet number.
Cycle	Turns an outlet Off and On again, recycles the power. The system prompts you to enter an outlet number.

Power Management with AlterPath™ PM Integration

Command	Description
Lock	Locks an outlet in On or Off state to avoid accidental changes.
Unlock	Unlock the selected outlets.
Status	Provides an overall status of the selected outlet.
Power Up Interval	Set the time interval (in seconds) that the system waits between turning on the currently-selected outlet and the next outlet.
Name	Add a name or an alias for an outlet.
Current	Displays the amount of current that is running through the IPDU.
Temperature	Displays the temperature on the IPDU, if the IPDU unit is equipped with a temperature sensor.
Version	Displays the software and hardware version of the IPDU.
Buzzer	Configures a buzzer to sound when a specified alarm threshold has reached. Options are On to activate and Off to deactivate.
Current Protection	Activate or deactivate the current protection. This option is to prevent the outlets from being turned on, if the current on the IPDU exceeds the specified threshold.
Factory Default	Restores the factory defaults.
Reboot	Restarts the IPDUs in chain.
Restore	Restores the configuration saved in flash.
Save	Saves the current configuration in flash.
Syslog	Activates or deactivates the syslogging and alarm notifications.
Alarm	Select a current value to set an alarm notification when the current exceeds the selected threshold.

Once you select a command, the following options may occur:

Power Management with AlterPath™ PM Integration

- If command you select applies to the PM unit, then the command will be issued
- If command you select applies to the outlets, the following prompt appears

```
Outlet name or outlet number(? for help, m for main menu):
```

Enter one or more outlet numbers separated by commas or dashes, as shown in the following screen example, or enter “all.”

```
Outlet name or outlet number(? for help, m for main menu):  
1,3,5
```

Manage Devices Plugged into Multiple Outlets

You can use the Power Management Utility to simultaneously control all outlets that are configured to the same serial port, regardless of whether the outlets are on the same PM. This option is applicable to devices with multiple power supplies.

Selecting option “3” for “Multi-outlet Devices” from the PM menu invokes the following menu and prompt:

```
-----  
Cyclades Power Management Menu  
-----  
1. Return      4. Cycle      6. Unlock      8. Show  
2. On          5. Lock       7. Status      9. Info  
3. Off  
Please choose an option:
```

The following table explains each menu item, its use and behavior.

Table 6-3: Menu Options for Multi-Outlet Control PM Utility

Command	Description
Return	Takes the user back to the first menu.
On	Powers on all the outlets belonging to this multi-outlet device.
Off	Powers off all the outlets belonging to this multi-outlet device.
Cycle	Turns the outlets off and back on.

Power Management with AlterPath™ PM Integration

Table 6-3: Menu Options for Multi-Outlet Control PM Utility

Command	Description																				
Lock	Locks all the outlets belonging to the multi-outlet device so that no command can be executed on them, except an unlock command.																				
Unlock	Unlocks all the outlets belonging to this multi-outlet device.																				
Status	<p>Issue individual status commands on each of the outlets belonging to this multi-outlet device as in the following example:</p> <p>These are the status for these outlets in the IPDU attached to ttyS3</p> <table border="1"><thead><tr><th>Outlet (s)</th><th>Name</th><th>Status</th><th>Users</th><th>Interval</th></tr></thead><tbody><tr><td>1</td><td></td><td>Unlocked</td><td>ON</td><td>0.50</td></tr><tr><td>4</td><td></td><td>Unlocked</td><td>ON</td><td>0.50</td></tr><tr><td>5</td><td></td><td>Unlocked</td><td>ON</td><td>0.50</td></tr></tbody></table> <p>Shows which outlets in which ipdu chain belong to the multi-outlet device as in the following example:</p>	Outlet (s)	Name	Status	Users	Interval	1		Unlocked	ON	0.50	4		Unlocked	ON	0.50	5		Unlocked	ON	0.50
Outlet (s)	Name	Status	Users	Interval																	
1		Unlocked	ON	0.50																	
4		Unlocked	ON	0.50																	
5		Unlocked	ON	0.50																	
Show	<pre>alias: (null) port: ttyS4 outlets: 3.1 3.5 3.4</pre> <p>where ttyS4 is the serial port that the device is connected to and 3.1, 3.5, and 3.4 indicate ports 1, 5, and 4 on a PM that is connected to port 3.</p>																				
Info	Shows help text explaining each option.																				

Power Management with AlterPath™ PM Integration

Note: The multi-outlet device menu is inaccessible if there are no devices configured with `pmoutlet` parameter in `/etc/portslave/pslave.conf`. You need to configure the “`sxx.pmoutlet`” line in `pslave.conf` file.

In the following example, the Sun Server is a multi-outlet device connected to outlet 7 of IPDU 1 and outlet 2 of IPDU 2. The sequence of power up interval is 1.7 then 2.2.

```
s3.pmoutlet  1.7, 2.2
s3.alias     Sun Server
```

To Manage Multiple IPDUs from the Command Line

Step 1 - Connect to the CONSOLE port of the ACS or use Telnet or SSH to access the ACS, and log in.

Step 2 - Enter the `pm` command.

```
[root@CAS root]# pm
```

The power management menu displays as shown in the following screen example.

```
Cyclades Corporation
Power Management Menu v1.0
-----
-----
Cyclades Power Management Menu
-----
1. Exit 2. individual ipdus  3. multi-outlet device  4.Info
Please choose an option:
```

To control power on multi-outlet devices, Enter the number 3. .

```
1. Exit 2. individual ipdus  3. multi-outlet device  4.Info
Please choose an option: 3
```

Power Management with AlterPath™ PM Integration

The power management utility displays as shown in the following screen example.

```
-----  
Cyclades Power Management Menu  
-----1.  
Return          4. Cycle          6. Unlock          8. Show  
2. On           5. Lock            7. Status          9. Info  
3. Off  
  
Please choose an option:
```

Step 1 - Enter the number that corresponds to the desired option (“On,” “Off,” “Cycle,” “Lock,” “Unlock,” “Status,” “Show,” or “Info.”

The following prompt appears

```
Please supply the serial port number or the alias for the  
multi-outlet devices  
  
If in doubt, type ? followed by enter and a list of  
available devices will be shown
```

Step 2 - Enter the number or alias of the serial port to which the multi-outlet device is connected.

The command is executed.

To Manage Power Through the Console

Step 1 - Open a console session.

Open a Telnet or SSH session for the serial port.

Step 2 - Access the IPDU regular menu.

This should be done, for example, when the server crashes and it necessary to change the power status. Type the pre-configured hot-key.

If the user does not have permission to access any outlet, the following message will appear, and you will return to the Console Session:

```
It was impossible to start a Power Management Session  
You can't access any Power Management functionality.  
Please contact your Console Server Administrator.
```

If the user does not have permission to access the outlet(s) of this server, but can access another outlet, the following message will appear:

Power Management with AlterPath™ PM Integration

You cannot manage the outlet(s) of this server.
Please enter the outlet(s) (or 'h' for help):

The user should type the outlet(s) he wants to manage, before reaching the main menu. The main menu will appear only if the user has permission for this/these outlet(s). Typing 'h' will cause the session to show text explaining what to type, and 'l' will cause the PM session to be logged out, and the user to return to the Console Session. If the user has permission to access the outlet(s) of this server, these outlets will be managed by the PM session.

Step 3 - Regular User Menu.

This is the AlterPath PM regular user menu:

```
-----  
Cyclades Power Management Menu  
  
PowerPort: PM  
-----  
1. Return                6. Cycle                11. Name  
2. Help                 7. Lock                 12. Current  
3. Who Am I            8. Unlock              13. Temperature  
4. On                  9. Status              14. Version  
5. Off                 10. Power Up Interval  
  
Please choose an option:
```

Menu Description 6.1: AlterPath PM regular menu

Option	Description
Return	Exits and returns to the main power management menu.
Help	Provides a brief description of the menu items.
Who Am I	Displays the current username.
On	Turns an outlet On. Prompts you to enter the outlet number.

Table 6.4: AlterPath PM regular user menu options

Power Management with AlterPath™ PM Integration

Option	Description
Off	Turns an outlet Off. Prompts you to enter the outlet number.
Cycle	Turns an outlet Off and On again, recycles the power. The system prompts you to enter an outlet number.
Lock	Locks an outlet in On or Off state to avoid accidental changes.
Unlock	Unlock the selected outlets.
Status	Provides an overall status of the selected outlet.
Power Up Interval	Set the time interval (in seconds) that the system waits between turning on the currently-selected outlet and the next outlet.
Name	Add a name or an alias for an outlet.
Current	Displays the amount of current that is running through the IPDU.
Temperature	Displays the temperature on the IPDU, if the IPDU unit is equipped with a temperature sensor.
Version	Displays the software and hardware version of the IPDU.

Table 6.4: AlterPath PM regular user menu options

Step 4 - Check the status of the server's outlet or the outlet list.

Power Management with AlterPath™ PM Integration

Type '9' and wait for the answer. For example:

```
Please choose an option: 9

Outlet name or outlet number(all for all, ? for help, m for main menu):
1-3

Outlet      Name      Status      Users      Interval
(s)
1           pm       Unlocked ON      0.50
2
3           Unlocked ON      0.50
           Unlocked ON      0.50

-----
Cyclades Power Management Menu

PowerPort: PM
-----
1. Return          6. Cycle          11. Name
2. Help           7. Lock           12. Current
3. Who Am I       8. Unlock         13. Temperature
4. On             9. Status         14. Version
5. Off            10. Power Up Interval

Please choose an option:
```

Menu Description 6.2: Outlet Status

Power Management with AlterPath™ PM Integration

Step 5 - Reboot the server.

If the outlet(s) is/are locked, the user must unlock the outlet(s) first (option 8 - Unlock). The Cycle command turns the power off for some seconds and the turn it on again. Type '6' and wait for the answer. For example:

```
Please choose an option: 6

Outlet name or outlet number(? for help, m for main menu): 1

1: Outlet turned off.
1: Outlet turned on.

-----
Cyclades Power Management Menu

PowerPort: PM
-----

1. Return                6. Cycle                11. Name
2. Help                  7. Lock                 12. Current
3. Who Am I              8. Unlock               13. Temperature
4. On                    9. Status               14. Version
5. Off                   10. Power Up Interval

Please choose an option:
```

Menu Description 6.3: Outlet Cycle

Step 6 - Manage other outlets.

To Manage Other Outlets

Perform this procedure if you need to access other outlets.

- Enter option “9. Status” to view the Outlets you are authorized to manage, and at the Outlent name or outlet number prompt, type “all”.

Power Management with AlterPath™ PM Integration

- Select a command from the menu and then select the outlet that you are authorized to manage.

```
Please choose an option: 9

Outlet name or outlet number(all for all, ? for help, m for main menu):
all

Outlet      Name      Status      Users      Interval
(s)
1           pm        Unlocked ON      0.50
2
3
9
10
11
12
13
14
15
16

-----
Cyclades Power Management Menu

PowerPort: PM
-----
1. Return      6. Cycle      11. Name
2. Help        7. Lock       12. Current
3. Who Am I    8. Unlock     13. Temperature
4. On          9. Status     14. Version
5. Off         10. Power Up Interval

Please choose an option:
```

Menu Description 6.4: Changing the outlet list

From this point, all the commands will be related to the 2nd outlet of the IPDU in the port 1.

Step 7 - Return to the Console Session.

The user can exit from the PM session and return to the Console Session in three ways:

- 1.Type the hot-key again, any time.
- 2.If the session is waiting for a menu option, type the option 1 - Exit.

Power Management with AlterPath™ PM Integration

3.If the session is waiting for the outlet, type 'l'.

When the user leaves the PM session, the following message will appear:

```
Exit from PM session
```

Power Management for Authorized Users (firmware version prior to 2.2.0)

The administrator or any user that belongs to the pmusers group, can log onto the Console server itself, and have total control over all the IPDU outlets. An additional menu, with more options than the regular menu, is provided for the administrator and users contained in the pmusers group to manage any IPDU.

There are two commands which can be used to manage the IPDU. The first one (pm) deals with menu options, while the second one (pmCommand) deals with the commands as they are sent to the IPDU, and requires more knowledge about the AlterPath-PM commands.

Adding an user of the pmusers group

Only the root user and users belonging to the pmusers group can do power management by using the pm or pmCommand. To add an user as member of the pmusers group, log in as "root" and run the 'adduser' command with the following syntax:

```
# adduser -G pmusers <username>
```

Changing the group of an already existing user

It is also possible to change the group of an already existing user. In this example we will change the groups of the already existing users: "cyclades" and "test". To do that follow the steps below:

Step 1 - Open the file /etc/group.

To open this file, run the command:

```
# vi /etc/group
```

Step 2 - Adding the "cyclades" and "test" users to the pmusers group.

To change the group of these users, look for the line that begins with "pmusers".

At the end of this line, just after the ':' character, insert the "cyclades" and "testusers".

```
webadmin:504:root
pmusers:505:cyclades,test
cyclades:x:506:
test:x:507:
```

Power Management with AlterPath™ PM Integration

Step 3 - Save the configuration.

To save the changes done, run the command:

```
# saveconf
```

Power Management with AlterPath™ PM Integration

pm command

The pm command provides a menu that can be reached by typing the following command, from the prompt.

Power Management with AlterPath™ PM Integration

pm <IPDU port>

```
-----
Cyclades Corporation
Power Management Menu v1.0
-----

PowerPort: PM
Number of units: 2
Serial Port: 1
-----

Cyclades Power Management Menu
PowerPort: PM
-----

1. Exit                9. Status              17. Factory Default
2. Help                10. Power Up Interval  18. Reboot
3. Who Am I           11. Name               19. Restore
4. On                  12. Current            20. Save
5. Off                 13. Temperature        21. Syslog
6. Cycle               14. Version            22. Alarm
7. Lock                15. Buzzer
8. Unlock              16. Current Protection

Please choose an option: 2
Exit ----- Exit
Help ----- Show this help
Who Am I ----- Display the username currently logged in
On ----- Turn on outlets
Off ----- Turn off outlets
Cycle ----- Power cycle outlets
Lock ----- Lock outlets in current state
Unlock ----- Unlock outlets
Status ----- Display state of the outlets
Power Up Interval ----- Set/read the power up interval
Name ----- Name an outlet
Current ----- Set/Read/Reset the current
Temperature ----- Set/Read/Reset the temperature
Version ----- Show the software and hardware version
Buzzer ----- Set/read the buzzer
Current Protection ----- Set/read the over current protection
Factory Default ----- Bring the unit to factory configuration
Reboot ----- Reboot the units in chain
Restore ----- Restore the configuration in flash
Save ----- Save the current configuration in flash
Syslog ----- Set/read the syslog
Alarm ----- Set/read the alarm status
-----
```

Menu Description 6.5: pm command options

Some of these options require the outlet number (On, Off, Cycle, Lock, Unlock, Status),

Power Management with AlterPath™ PM Integration

and others don't. In the first case, when the option is selected, the number of the outlet will be asked. The user can enter one or more outlets (separated by commas or dashes), or "all," to apply the option to all the outlets.

Following are examples of some things which can be done through this command.

Turning the outlet off

```
-----  
Cyclades Power Management Menu  
PowerPort: pm10  
-----  
1. Exit                9. Status              17. Factory Default  
2. Help                10. Power Up Interval  18. Reboot  
3. Who Am I           11. Name               19. Restore  
4. On                  12. Current            20. Save  
5. Off                 13. Temperature        21. Syslog  
6. Cycle              14. Version            22. Alarm  
7. Lock                15. Buzzer  
8. Unlock              16. Current Protection  
  
Please choose an option: 5  
Outlet name or outlet number(? for help, m for main menu): 1  
  
1: Outlet turned off.
```

Menu Description 6.6: Turning the outlet off

Power Management with AlterPath™ PM Integration

Locking the outlets

When the outlet is locked, the previous status cannot be changed, until the outlet is unlocked. This means that if the outlet was on, it cannot be turned off and, if it was off, it cannot be turned on.

```
-----  
Cyclades Power Management Menu  
PowerPort: pm10  
-----  
1. Exit                9. Status              17. Factory Default  
2. Help                10. Power Up Interval  18. Reboot  
3. Who Am I           11. Name               19. Restore  
4. On                  12. Current            20. Save  
5. Off                 13. Temperature        21. Syslog  
6. Cycle              14. Version            22. Alarm  
7. Lock                15. Buzzer  
8. Unlock              16. Current Protection  
  
Please choose an option: 7  
Outlet name or outlet number(? for help, m for main menu): 1-3  
  
1: Outlet locked.  
2: Outlet locked.  
3: Outlet locked.
```

Menu Description 6.7: Locking the outlet

Power Management with AlterPath™ PM Integration

Retrieving the status of the outlets

```
Cyclades Power Management Menu
PowerPort: pm10
-----
1. Exit                9. Status              17. Factory Default
2. Help                10. Power Up Interval  18. Reboot
3. Who Am I           11. Name               19. Restore
4. On                  12. Current            20. Save
5. Off                 13. Temperature        21. Syslog
6. Cycle               14. Version            22. Alarm
7. Lock                15. Buzzer
8. Unlock              16. Current Protection

Please choose an option: 9

Outlet name or outlet number(all for all,? for help, m for main menu): all

Outlet      Name      Status      Users      Interval (s)
1           pm        Locked ON
2           pm        Unlocked ON
3           pm        Unlocked ON
4           pm        Unlocked ON
5           pm        Unlocked ON
6           pm        Unlocked ON
7           pm        Unlocked ON
8           pm        Unlocked ON
9           pm        Unlocked ON
10          pm        Unlocked ON
11          pm        Unlocked ON
12          pm        Unlocked ON
13          pm        Unlocked ON
14          pm        Unlocked ON
15          pm        Unlocked ON
16          pm        Unlocked ON
```

Menu Description 6.8: Turning the outlet off

pmCommand command

Through *pmCommand* command, the administrator has access to other options beyond the menu options, because he will be accessing the IPDU itself. The administrator must have a good knowledge of the AlterPath PM command set to use it.

There are two ways to use this command. If only the IPDU port is passed as an argument, it will appear in a prompt where the administrator can write the command. Otherwise, the arguments after the IPDU port will be considered the PM command.

Syntax:

```
pmCommand <IPDU port> [<command>]
```

For example:

```
[root@CAS root]# pmCommand 1
```

```
-----  
Cyclades Corporation  
Power Management Command Prompt v1.1  
-----
```

```
Power Name: PM
```

```
[PM]
```

The following are examples of some things which can be done through this command.

Listing the commands available for the AlterPath PM

```
[root@CAS root]# pmCommand 1 help
```

- exit ----- Exit
- help ----- Show this help
- menu ----- Start the menu driven text interface(pm)
- whoami -----Display the username currently logged in
- getname -----Get the name of the server
- on ----- Turn on outlets
- off ----- Turn off outlets
- cycle ----- Power cycle outlets
- lock ----- Lock outlets in current state
- unlock -----Unlock outlets
- status -----Display state of the outlets
- interval ----- Set/read the power up interval
- name ----- Name an outlet
- current ----- Set/Read/Reset the current
- temperature ----- Set/Read/Reset the temperature

Power Management with AlterPath™ PM Integration

- ver ----- Show the software and hardware version
- buzzer ----- Set/read the buzzer
- currentprotection ----- Set/read the over current protection
- factory_defaults ----- Bring the unit to factory configuration
- reboot -----Reboot the units in chain
- restore ----- Restore the configuration in flash
- save -----Save the current configuration in flash
- syslog -----Set/read the syslog
- alarm -----Set/read the alarm status

Type 'help <command>' to see details of <command>

Cycling all the outlets

```
[Cyclades - Power Management Prompt]# cycle 4,5
```

```
4: Outlet turned off.  
5: Outlet turned off.  
4: Outlet turned on.  
5: Outlet turned on.
```

Unlocking the outlets 1, 5 and 8

```
[Cyclades - Power Management Prompt]# unlock 1, 5, 8
```

```
1: Outlet unlocked.  
5: Outlet unlocked.  
8: Outlet unlocked.
```

Retrieving the status of all outlets

```
[Cyclades - Power Management Prompt]# status all
```

Outlet	Name	Status	Users	Interval (s)
1	pm	Unlocked ON		0.50
2		Unlocked ON		0.50
3		Unlocked ON		0.50
4		Unlocked ON		0.50
5		Unlocked ON		0.50
6		Unlocked ON		0.50
7		Unlocked ON		0.50
8		Unlocked ON		0.50

Power Management with AlterPath™ PM Integration

Turning the outlet off

```
[Cyclades - Power Management Prompt]# off 2
```

```
2: Outlet turned off.
```

6.2 ACS Firmware Upgrade

It is possible to upgrade the firmware of the IPDU unit connected to any serial port of the ACS. It is also possible to upgrade the whole daisy-chain of AlterPath PM units, since the unit(s) before the targeted one has firmware version 1.2.2 or greater.

Upgrade Process

To upgrade the firmware of the PM units follow the steps below:

Step 1 - Download the firmware.

The first step of the upgrade process will be the download of the new firmware. Cyclades provides a directory on its FTP site where it is possible to check for new firmware and download them to the ACS. It is recommended to download the new firmware to the /tmp directory because files in this directory are deleted during the boot process.

Step 2 - Run the pmfwupgrade application.

After downloading it is necessary to call an application called pmfwupgrade.

This application has the following syntax:

```
# pmfwupgrade [-h] [-f] [-F] [-v] <serial port number>[:<unit number>] <filename>
```

where :

- *-h* = Show the help message and exit
- *-f* = The upgrade is done without asking any questions
- *-F* = The upgrade is done without waiting logical connection with the AlterPath PM. This is should be used after possible power failure during the upgrade process.
- *-v* = show messages about the status of the upgrade.
- *<serial port number>* = the serial port where the PM unit is connected
- *[:<unit number>]* = number of the PM unit when in daisy-chain. If is not used, all units in the serial port will have the firmware upgraded, when possible

Power Management with AlterPath™ PM Integration

- *<filename>* = complete path of the file that has the PM firmware (default: */tmp/pmfirmware*)

IMPORTANT! *If the AlterPath PM unit is not configured with the default password, it will be necessary to inform it to the ACS by editing the `/etc/pm.cyclades` file and changing the parameter `admPasswd` with the correct password.*

The `pmfwupgrade` application will try to stop all the process that are using the serial port. Just type YES to proceed into the upgrade process. Another message will prompt asking for confirmation to proceed with the upgrade process. Type 'y' to upgrade the PM unit firmware.

WARNING! *Depending on the hardware version of the AlterPath PM, it is possible that all outlets completely powers off during the upgrade process. Make sure to shutdown all devices connected to them before starting the firmware upgrade process.*

6.3 SNMP Proxy

The SNMP Proxy for Power management feature allows the Cyclades ACS console servers to proxy SNMP requests to the Cyclades Intelligent Power Distribution Units. This allows SNMP clients to query and control the remote IPDU using standard set and get commands.

How to Configure

You should ensure that the AlterPath PM is correctly installed and configured by following the procedure outlined in section [6.1 Power Management Configuration](#) of this Reference Guide. You must also ensure that SNMP is correctly configured by following the configuration instructions in the SNMP section of [Chapter 5 - Administration](#).

The parameters and features that can be controlled in the remote IPDU are as follows:

- The number AlterPath PM units connected to a given console server
- The number of the outlets connected to a given port
- The number the AlterPath PM units connected to this port (when a daisy-chain configuration is being used).
- The instantaneous RMS current being drawn from each of the AlterPath PM unit(s) connected to this port.
- The software version of the AlterPath PM unit(s) connected to this port
- The temperature of the AlterPath PM unit(s) connected to this port
- The name of the outlet as configured in the AlterPath PM.
- The alias of the server that is configured as using this outlet
- The name of the serial console connection that corresponds to the host which this outlet controls power.

Power Management with AlterPath™ PM Integration

- The status of the outlet
 - . power status : 0 (off), 1 (on), 3 (unknow)
 - . lock state : 0 (unlock), 1 (lock) , 2 (unknown)

This feature will allow the user to control the AlterPath PM outlets using SNMP set commands. These following actions will be allowed to each outlet by this feature :

- 1) ON
- 2) OFF
- 3) CYCLE
- 4) LOCK

IMPORTANT! *The ACS proxies all SNMP requests to the AlterPath PM unit. Therefore there is a small delay if an outlet cycling is requested by the snmpset command. To successfully cycle an outlet, a 4 second or higher timeout must be specified. To run this command for more than one outlet or for units configured as daisy-chain, this time should be recalculated.*

Examples:

This feature allows the user do these following SNMP requests:

1) Get the number of ACS/TS serial ports that has PM connected to:

```
# snmpget -m all -v 2c -t 4 -c cyclades 10.10.0.1 .cyNumberOfPM <enter>
enterprises.cyclades.cyACSMgmt.cyPM.cyNumberOfPM.0 = 2
```

2) Get the number of outlets of the PM connected to serial port 16:

```
# snmpget -m all -v 2c -t 4 -c cyclades 10.10.0.1 .cyPMNumberOutlets.16 <enter>
enterprises.cyclades.cyACSMgmt.cyPM.cyPMTable.cyPMTEntry.cyPMNumberOutlets.16 = 8
```

3) get the number of units of the PM connected to serial port 14:

```
# snmpget -m all -v 2c -t 4 -c cyclades 10.10.0.1 .cyPMNumberUnits.14 <enter>
enterprises.cyclades.cyACSMgmt.cyPM.cyPMTable.cyPMTEntry.cyPMNumberUnits.14 = 2
```

For more examples and MIB definition please search the online FAQ at:
www.cyclades.com/support/faqs.php

Chapter 7

PCMCIA Cards Integration

PCMCIA slots allow for enhanced functionality with support for many interface cards, such as Ethernet, modem (V.90, GSM, CDMA, and ISDN) and wireless LAN.

7.1 Supported Cards

For a list of the supported PCMCIA cards, refer to the AlterPath ACS web site at http://www.cyclades.com/products/3/alterpath_acs, or go to www.cyclades.com > Products > IT Infrastructure Management > AlterPath ACS > Click here for a list of supported PCMCIA cards.

Tools for Configuring and Monitoring PCMCIA Devices

During the ACS boot, the `/etc/init.d/pcmcia` script loads the PCMCIA core drivers and the `cardmgr` daemon. The `cardmgr` daemon is responsible for monitoring PCMCIA sockets, loading client drivers when needed, and running user-level scripts in response to card insertions and removals.

- `lsmod` - This command shows the modules loaded for the PCMCIA devices.
- `cardctl` - This command can be used to check the status of a socket, or to see how it is configured. Just type `cardctl` to see the syntax of the command. `cardctl config` displays the card configuration. `cardctl ident` can be used to get card identification information. `cardctl eject` stops the application and unloads the client driver, and `cardctl insert` re-loads the driver and re-starts the application.

NOTE: “`cardctl suspend`”, “`cardctl resume`” and “`cardctl reset`” are not supported.

Ejecting Cards

You can insert the card anytime, and the drivers should be loaded automatically. But you will need to run `cardctl eject` before ejecting the card to stop the application using the card. Otherwise the ACS may hang during the card removal. You must specify the slot number when using the `cardctl` command. For example:

```
cardctl eject 0 for the lower slot
```

and

```
cardctl eject 1 for the upper slot
```

7.2 PCMCIA Network devices configuration

Ethernet PC cards

The onboard Ethernet device has the *eth0* name. The first PCMCIA Ethernet card or wireless LAN card detected will receive the *eth1* name, the second card will be *eth2*. *cardmgr* will read the network settings from the */etc/network/interfaces* and assign an IP to *eth1*.

NOTE: *Before changing the /etc/network/interfaces file, unload the network client driver using cardctl eject.*

VI Method

The factory default for the */etc/network/interfaces* file has the following lines:

```
# auto eth1
#iface eth1 inet static
#   address 192.168.0.42
#   network 192.168.0.0
#   netmask 255.255.255.0
#   broadcast 192.168.0.255
#   gateway 192.168.0.1
```

File Description 7.1: part of the /etc/network/interfaces file

Remove the # in the beginning of the line, and change the IPs to suit your network configuration. For instance, you may want the following configuration:

```
auto eth1
iface eth1 inet static
    address 192.168.162.10
    network 192.168.162.0
    netmask 255.255.255.0
    broadcast 192.168.162.255
    gateway 192.168.162.1
```

File Description 7.2: part of the /etc/network/interfaces file

PCMCIA Cards Integration

Don't forget to run *saveconf* to save this configuration in the flash, so that it can be restored in the next boot. Run *cardctl insert* to load the network drivers with the new configuration.

IMPORTANT: Do not use *ifconfig* to change the network settings for the PCMCIA device. Otherwise, you may be unable to unload the network driver during “*cardctl eject*” and the ACS may hang. The correct way is to change the */etc/network/interfaces* file.

Removing the configuration from a Ethernet PCMCIA device

Before removing the configuration from an Ethernet PCMCIA card configured in ACS, you should first run “*cardctl eject <slot number>*” and then delete the lines of the desired interface from the */etc/network/interfaces* file.

CLI Method - Ethernet PCMCIA

To configure an Ethernet PCMCIA card using the CLI, follow the steps:

Step 1 - Open the CLI interface by issuing the command:

```
# CLI
```

Step 2 - Configuring IP address and network mask.

Supposing that the PCMCIA card is placed on slot 1 of the unit, run the command:

```
cli>config network pcmcia 2 ethernet ip 192.168.0.100 mask 255.255.255.0
```

This command will configure 192.168.0.100 as IP address and 255.255.255.0 as netmask.

Step 3 - Save the configuration.

```
cli>config savetoflash
```

Step 4 - Activating the configuration.

Due to CLI restrictions, the configuration must be activated in the shell prompt, by running the two commands below in the presented sequence:

```
# cardctl eject  
# cardctl insert
```

Step 5 - Exiting the CLI mode.

To exit the CLI mode and return to ACS's shell, type the following command:

```
cli> quit
```

Wireless LAN PC Cards

First do the appropriate PCMCIA network configuration. Additionally, the configuration of the wireless driver is done in the following file:

/etc/pcmcia/wireless.opts

For instance, to configure the network name as *MyPrivateNet*, and the WEP encryption key as *secu1*, the following settings could be added to the default “*,*,*,*)” entry :

```
*,*,*,*)
INFO="This is a test"
ESSID="MyPrivateNet"
KEY="s:secu1"
```

File Description 7.3: part of the /etc/pcmcia/wireless.opts file

NOTE: The "s:" prefix in the KEY line indicates that the key is an ASCII string, as opposed to hex digits. Five ASCII characters or ten hexadecimal digits could be entered for WEP 64-bit (also known as 40-bit) and 13 ASCII characters or 26 hexadecimal digits could be entered for WEP 128-bit (also known as 104-bit). Any ascii characters will be accepted if it starts with "s:" otherwise only characters between [0-9,a-f] will be accepted. Check your PCMCIA card specifications.

There is a generic sample in the end of the *wireless.opts* file that explains all possible settings. For more details in wireless configuration, search for *manpage iwconfig* on the Internet. The parameters in *wireless.opts* are used by the *iwconfig* utility. After changing any of the parameters, run “*cardctl eject*” followed by *cardctl insert* to load the new settings. Also, run *saveconf* to save the new settings to flash. *iwconfig eth1* shows the basic wireless parameters set in *eth1*. *iwlist* allows to list frequencies, bit-rates, encryption, etc. The usage is:

```
iwlist eth1 frequency
iwlist eth1 channel
iwlist eth1 ap
iwlist eth1 accesspoints
iwlist eth1 bitrate
iwlist eth1 rate
iwlist eth1 encryption
iwlist eth1 key
iwlist eth1 power
iwlist eth1 txpower
iwlist eth1 retry
```


PCMCIA Cards Integration

Removing the configuration from a wireless PCMCIA device

Before removing the configuration from a Wireless PCMCIA card configured in ACS, you should first run “*cardctl eject <slot number>*” and then delete the lines of the desired interface from the */etc/network/interfaces* file.

CLI Method - Wireless PCMCIA

Basically you just need to configure 4 parameters to have a wireless network up and running:

- ESSID - is the identifying name of an 802.11b wireless network. By specifying the ESSID in your client setup is how you make sure that you connect to your wireless network instead of your neighbors network by mistake.
- IP address - The IP address of the wireless interface
- Network Mask - Network mask of the wireless interface
- Encryption - Enables WEP data encryption, not necessary to have a wireless network up, but strongly recommended due to security issues.

To configure a wireless PCMCIA card using the CLI, follow the steps:

Step 1 - Plug the PCMCIA wireless device into one of the available slots (slot 2, for this example) and open the CLI interface by issuing the command:

```
# CLI
```

Step 2 - Configuring basic parameters.

The command below will configure 192.168.100.1 as IP address and 255.255.255.0 as network mask:

```
cli>config network pcmcia 2 wireless ip 192.168.100.1 mask 255.255.255.0
```

Now we need to configure the ESSID (Extended Service Set ID), that will be the string “*test*” for this example:

```
cli>config network pcmcia 2 wireless essid test
```

Step 3 - Setting security parameters.

It is strongly recommended to enable encryption on wireless connections. The following command will enable connection encryption and set the string “*test1*” as key.

```
cli>config network pcmcia 2 wireless encrypt yes key s:test1
```

IMPORTANT: Check the note about WEP keys on [page 256](#).

Step 4 - Activating the configuration.

PCMCIA Cards Integration

```
cli>config runconfig
```

Step 5 - Save the configuration.

```
cli>config savetoflash
```

Step 6 - Exiting the CLI mode.

To exit the CLI mode and return to ACS's shell, type the following command:

```
cli> quit
```

PCMCIA Cards Integration

Modem PC Cards

The modem device gets the `/dev/ttySn` name, where *n* is the number of embedded serial devices plus 1. For instance, if the ACS has 32 onboard serial devices, the modem card becomes the `/dev/ttyS33`.

VI Method

When a modem card is detected, `cardmgr` starts a script which loads `mgetty` for the modem device automatically. `mgetty` provides the login screen to the remote user. `mgetty` may also be configured to start PPP (`pppd`) and let PPP login the caller. The steps to allow PPP connections are:

Step 1 - Enable login and PAP authentication in `/etc/mgetty/login.config`.

Enable the desired authentication in `/etc/mgetty/login.config`. For instance, you may want the following authentication in `/etc/mgetty/login.config` to enable PAP and system password database authentication:

```
/AutoPPP/ - a_ppp /usr/local/sbin/pppd auth -chap +pap login nobsdcomp nodeflate
```

Step 2 - Create a user name in `/etc/ppp/pap-secrets`.

If `+pap` authentication was selected, create a user name in `/etc/ppp/pap-secrets`. For instance, you may add the following line:

```
mary * marypasswd *
```

Step 3 - Create the user for login in the Radius server.

If the login option was used, create the user either locally (by running `adduser`) or create the user in the Radius server for Radius authentication.

Step 4 - Copy the `/etc/ppp/options.ttyXX` as `/etc/ppp/options.ttyS33` (the modem port).

Copy the `/etc/ppp/options.ttyXX` to have the device name assigned to the pcmcia modem. For instance, if the modem is the `ttyS33`, `/etc/ppp/options.ttyXX` should be copied as `/etc/ppp/options.ttyS33`. If you are not sure which `ttySxx` is the modem device, do a "`ls -al /dev/modem`" with the modem inserted.

Step 5 - Uncomment local and remote IPs in `/etc/ppp/options.ttyS33`.

Uncomment the line that assigns the local and remote IPs in `/etc/ppp/options.ttyS33` (or whatever is the tty name in your system). For instance, you may want to assign 192.168.0.1 for local ip, and 192.168.0.2 for the remote ip.

Step 6 - Save `/etc/ppp/options.ttyS33` in flash.

PCMCIA Cards Integration

Step 7 - Create an entry in */etc/config_files*.

It should have the name of the file you created, so that the new file can be saved to the flash. For instance, you will have to add a line with */etc/ppp/options.ttyS33* in */etc/config_files*.

Step 8 - Run *saveconf* to save the files listed in */etc/config_files* to the flash.

Step 9 - Insert the pcmcia modem if not inserted yet.

Step 10 - Run *ps* to see that *mgetty* is running.

The ACS is ready to receive dial in calls.

Step 11 - Establish PPP connection with the ACS.

From the remote system, use *pppd* to dial and establish a PPP connection with the ACS. The remote system should have the login user name set in their */etc/ppp/pap-secrets* to have a successful login in to the ACS.

Establishing a Callback with your Modem PC Card

Setting up a callback system serves two purposes:

1. Cost savings: reversing line charges - allows your company to call you back.
2. Security: makes sure users are who they pretend to be by calling a well-known or pre-configured number back.

The steps to allow callback are divided into two parts. Part One is the configuration for the Advanced Secure Console Port Server ACS (Server Side ACS Setup). Part Two is the configuration for the client side.

Server Side ACS Setup.

Step 1 - Enable authentication.

Enable the desired authentication in */etc/mgetty/login.config*. For instance, you may want the following authentication in */etc/mgetty/login.config* to enable PAP and system password database authentication:

```
/AutoPPP/ - a_ppp /usr/local/sbin/pppd auth -chap +pap login  
nobsdcomp nodeflate
```

Step 2 - Configure a pseudo callback user.

Add the following line to */etc/mgetty/login.config* with the appropriate values. At the end of the file there is a line, like the presented below:

PCMCIA Cards Integration

```
* - - /bin/login @
```

Do this before the above presented line:

```
<pseudo callback name>- - /sbin/callback -S <phone number of the client>
```

eg.:

```
call - - /sbin/callback -S 12345
```

Where, 'call' is the pseudo callback name and '123456' is the number to dial back.

NOTE:

1. *The order of configuration in /etc/mgetty/login.config matters. By default, it has the line * - - /bin/login @ at the end of the file. This line allows any users to log in and be verified by the login program. If you were to add the callback line after this line, the callback program will not be initiated when you try logging in. Instead, the login program will be used to verify you since it was encountered first. List the callback users first if you want the option of having some users access the callback program and the others the login program.*

```
call - - /sbin/callback -S 12345
```

```
call2 - - /sbin/callback -S 77777
```

```
* - - /bin/login @
```

The example above will allow you to have the option whether or not you want to use the callback functionality. If you log in with call or call2, then callback starts immediately. If you log in as anybody else other than call or call2, callback will not start and you'll be verified by the login program.

2. *Don't use * instead of some callback user name. Mgetty will fall to infinite callback.*

3. *If you don't specify a telephone number, callback will ask for a number after you log in as the pseudo callback user.*

Step 3 - If you plan to login through PPP with PAP authentication create pap user name in /etc/ppp/pap-secrets.

Add a line similar to the following: (include the quotes and the two asterisks).

```
"myUserName" * "myUserNamePassword"*
```

Step 4 - If you plan to login through PPP follow steps 4 - 9 in the section above on Modem PC Cards.

Step 5 - Create users.

Step A: Create a new user with the command adduser myUserName.

PCMCIA Cards Integration

This will create an entry in */etc/passwd* that resembles this:

```
myUserName:$1$/3Qc1pGe$/h3hzkaJQJ/:503:503:Embedix
User,,,:/home/myUserName:/bin/sh
```

Step B: If you want to limit myUserName to getting ONLY PPP access and NOT shell access to the server, edit the entry for myUserName in */etc/passwd*.

Do this by replacing */bin/sh* with a pathname to a script that you will be creating later. In the following example, the script is: */usr/ppp/ppplogin*

```
myUserName:$1$/3Qc1pGe$/h3hzkaJQJ/:503:503:Embedix
User,,,:/home/myUserName:/usr/ppp/ppplogin
```

Step 6 - If you executed Step 5b, create the ppp login script.

Step A: Create a script called */etc/ppp/ppplogin* following this format:

```
#!/bin/sh
exec /usr/local/sbin/pppd <ppp options>
```

Step B: Make script executable.

Type `chmod 755 /etc/ppp/ppplogin`.

Step C: Save this file to flash.

Save this file to flash so the next time the ACS gets rebooted, you won't lose the new file. Add */etc/ppp/ppplogin* into */etc/config_files*.

Now execute *saveconf*.

Step 7 - Change permission of pppd.

Type `chmod u+s /usr/local/sbin/pppd`

TIP. To prevent from always having to manually change permission every time your ACS reboots:

1. Edit */etc/users_scripts* by uncommenting the following line:

```
/bin/chmod_pppd
```

2. Add */etc/users_scripts* into */etc/config_files*.

3. Execute *saveconf*. The next time the ACS reboots, this change will be in effect. You should not need to manually change the *pppd* permission.

Step 8 - Your ACS is ready to establish a callback connection.

See Client Side Setup to start the callback connection.

PCMCIA Cards Integration

Client Side Setup.

Step 1 - Activate Show Terminal Window option.

(From Win2000) Go to your Connection window (the window to dial the ACS)
-> Properties -> Security -> look for Interactive Logon and Scripting -> click on Show Terminal Window.

Step 2 - Disable/enable encryption protocols.

If you are going to be using PPP connection with PAP authentication, make sure you disable all other encryption protocols.

(from Win2000) go to your Connection window (the window to dial the ACS) -> Properties -> Security -> click on Advanced (custom settings) -> click on Settings -> click on Allow these protocols -> disable all protocols except the PAP one.

Step 3 - Set up modem init string.

It is very important that before callback hangs the call, the modem in the Windows box does not tell Windows that the call has been dropped. Otherwise, Windows Dial-up Networking will abort everything (because it thinks the call was dropped with no reason).

(From Win2000) Go to Windows' control panel -> Phone and Modem -> Modems -> choose your modem -> Properties -> Advanced -> add &c0s0=1 to Extra Settings.

Step 4 - Call your ACS.

Step A - Dial to the ACS modem using either the normal username or the ppp username that you created in Step 5 when configuring the server side.

Step B - Once a connection is made, you get a login prompt.

Step C - Login with the pseudo callback name to start the callback.

Step D - Your connection gets dropped. The ACS is now calling you back.

Step E - After reconnection to you, you get a login prompt again.

Step F - Now you can:

- Log in through character mode: Log in with username and password. You will get the ACS shell prompt.
- Log in through ppp: Click on Done on the Terminal Window.

CLI Method - Modem PCMCIA

To configure a modem PCMCIA card using the CLI, follow the steps:

Step 1 - Open the CLI interface by issuing the command:

```
# CLI
```

PCMCIA Cards Integration

Step 2 - Enabling the PCMCIA modem and configuring it.

The line below configures a PCMCIA modem placed on slot 2 with local IP address 10.0.0.1 and remote IP address 10.0.0.2

```
cli>config network pcmcia 2 modem ppp yes localip 10.0.0.1 remoteip 10.0.0.2
```

Step 3 - Enabling callback (OPTIONAL STEP).

Supposing that the PCMCIA modem is placed in slot2, to enable the callback feature, run the following commands in the given sequence:

```
cli>config network pcmcia 2 modem
modem>ppp yes
modem>enablecallback yes
modem>callbacknum 55552515 localip 10.0.0.1 remoteip 10.0.0.2
```

Step 4 - Activating the configuration.

```
cli>config runconfig
```

Step 5 - Save the configuration.

```
cli>config savetoflash
```

Step 6 - Exiting the CLI mode.

To exit the CLI mode and return to ACS's shell, type the following command:

```
cli> quit
```

Step 7 - Creating users.

The CLI does not automatically provide the PPP nor the system users addition, so you will have to add them through the shell. Please see: [“Create a user name in /etc/ppp/pap-secrets.” on page 259](#) and [“Create the user for login in the Radius server.” on page 259](#).

To setup the client side, please see: [“Client Side Setup” on page 263](#)

PCMCIA Cards Integration

GSM Card Configuration

This works for firmware 2.1.3 and up. The GSM card can be used either as Dial-in or Dial-out profile, but both will be connected through GSM modulation. You also have the option to close a ppp connection using GSM (CLI mode). All these options will be shown in the steps below:

VI Method

Step 1 - In `/etc/mgetty/mgetty.config`, add this entry:

```
port ttyS2
  data-only y
  init-chat "" \d\d\d+++ \d\d\dATZ OK
```

Where `ttyS2` may have to be changed to the serial port that will be assigned to the GSM card, eg. replace `ttyS2` by `ttyS9` for an ACS8.

Step 2 - If the SIM card needs a PIN, edit `/etc/pcmcia/serial.opts`. Uncomment the line

```
INITCHAT="- \d\d\d+++ \d\d\datsz OK at+cpin=1111 OK"
```

and replace '1111' by the PIN.

Step 3 - Add `'/etc/mgetty/mgetty.config'` to `/etc/config_files` and call `saveconf`:

```
# echo /etc/mgetty/mgetty.config >> /etc/config_files
# saveconf
```

Insert the card. The card should flash red first. After the PIN is sent, the LED stays red, until the card found network. It then flashes green.

CLI Method

To configure a GSM PCMCIA card using the CLI, follow the steps:

Step 1 - Open the CLI interface by issuing the command:

```
# CLI
```

Step 2 - Configuring the GSM parameters.

Depending the way you wish to use the GSM card, some parameters do not need to be configured. Here we will explain all configurable parameters:

PIN NUMBER: The command below will configure 1010 as PIN number:

```
cli>config network pcmcia 2 gsm pin 1010
```

PCMCIA Cards Integration

LOCALIP/REMOTEIP: Just configure it if you want to establish a PPP connection. The first command below defines the unit's local IP address and the second one the other side IP address.

```
cli>config network pcmcia 2 gsm localip  
cli>config network pcmcia 2 gsm remoteip
```

ENABLECALLBACK: Configure it if you want to call back another GSM modem.

```
cli>config network pcmcia 2 gsm enablecallback yes callbacknum 5552255
```

Step 3 - Activating the configuration.

```
cli>config runconfig
```

Step 4 - Save the configuration.

```
cli>config savetoflash
```

Step 5 - Exiting the CLI mode.

To exit the CLI mode and return to ACS's shell, type the following command:

```
cli> quit
```

PCMCIA Cards Integration

CDMA Card Configuration

CDMA cards are in fact modem cards that makes it possible for ACS to receive a dial-in connection and callback using the “ppp” protocol.

CDMA card configuration is made by setting the following parameters, which are similar to the parameters set in a modem card.

Parameter	Description
Local and Remote IP addresses (optional)	IP addresses used by “ppp” connection and set in /etc/ppp/options.ttyXX file, where XX is the serial port being configured. The syntax is local_IP:remote_IP
Phone number (optional)	This number will be used by the callback feature when activated and set in /etc/mgetty/login.config file.
Speed	This parameter defines the speed that ACS uses to access the card. The parameter is set in /etc/mgetty/mgetty.config file.
Additional Initialization (optional)	Set an additional initialization parameter to be sent to the card. There is a default command sequence to initialize the card, but if an additional initialization command is required by the card, it can be added using the feature. The command sequence is set in /etc/mgetty/mgetty.config file.

Table 7.1: CDMA configuration parameters

vi Method

Step 1 - In /etc/mgetty/mgetty.config, add this entry:

```
port ttyxx
  speed 57600
  data-only y
  init-chat "" \d\d\d+++ \d\d\dATZ OK AT$QCVAD=4 OK
```

Where *xx* is the serial port number that will be assigned to the CDMA card.

Step 2 - In /etc/pcmcia/serial.opts, add this entry:

PCMCIA Cards Integration

```
*,0,*)
INFO="Modem Slot 1 Setup"
LINK="/dev/modem"
INITCHAT="- \d\d\d+++ \d\d\datz OK"
INITTAB="/sbin/mgetty"
start_fn () { return; }
stop_fn () { return; }
NO_CHECK=n
NO_FUSER=n
;;
```

Step 3 - If configuring a local and remote IP, modify *local_IP:remote_IP* entry in */etc/ppp/options.ttyXX* file.

Step 4 - To enable the call back feature, add the following entry to */etc/mgetty/login.config*

```
PSEUDO_CB_NAME - - /sbin/callback -S PHONE (PSEUDO_CB_NAME=cbuser)
```

At the end of the *login.config* file there is a line similar to the following:

```
* - - /bin/login @
```

Enter the below command before the above mentioned line:

```
<pseudo callback name>- - /sbin/callback -S <phone number of the client>
```

for example:

```
call - - /sbin/callback -S 5551212
```

Where, 'call' is the pseudo callback name and '5551212' is the number to dial back.

CLI Method

To configure a CDMA PCMCIA card using the CLI method, follow the below steps:

Step 1 - Open the CLI interface by issuing the command:

```
# CLI
```

Step 2 - Configuring the CDMA parameters.

To configure speed

PCMCIA Cards Integration

```
cli>config network pcmcia <slot> cdma speed <speed>
```

To configure local IP and remote IP to establish a PPP connection

```
cli>config network pcmcia <slot> cdma localip <ip_address>  
cli>config network pcmcia <slot> cdma remoteip <ip_address>
```

To enable the callback option

```
cli>config network pcmcia <slot> cdma enablecallback <yes> callbacknum  
<number>
```

To include additional initialization command

```
cli>config network pcmcia <slot> cdma addinit <command>
```

Step 3 - Activate the configuration.

```
cli>config runconfig
```

Step 4 - Save the configuration.

```
cli>config savetoflash
```

Step 5 - Exiting the CLI mode.

To exit the CLI mode and return to the ACS's shell, type the following command:

```
cli> quit
```

ISDN PC Cards

You can establish synchronous PPP connections with ISDN cards. The *ipppd* is the daemon that handles the synchronous PPP connections.

VI Method

How to configure dial in.

Step 1 - Create a user.

Create a user in */etc/ppp/pap-secrets* or in */etc/ppp/chap-secrets*, depending if you want PAP or CHAP authentication. You will also have to create a user in */etc/ppp/pap-secrets* if you want radius or local authentication. In case you don't want to repeat all the user database from the radius server an option is to use '*' as the user in */etc/ppp/pap-secrets*:

```
*      *      ""      *
```

Step 2 - Change the options in */etc/pcmcia/isdn.opts* to fit your environment.

Make sure that *\$DIALIN* is set to "yes." Set the desired authentication in *DIALIN_AUTHENTICATION*. For instance, "+pap" for PAP, "+chap" for CHAP, "login auth" or "login +pap" for radius, "login auth" or "login +pap" for local. When "login auth" or "login +pap" are used, PAM libraries are used so */etc/pam.d/login* should be also configured.

Step 3 - Run *saveconf* to save your changes to the flash.

Step 4 - If the ISDN card is not inserted, it is time to insert the card.

ipppd is started automatically. Go to step 6.

Step 5 - Restart script.

If the card was already inserted, you will need to restart the *isdn* script to re-load any changed configuration. To restart the script, issue:

```
# /etc/pcmcia/isdn stop ippp0
# /etc/pcmcia/isdn start ippp0
```

Step 6 - You can dial from the remote system to the ACS, and get a PPP connection.

Step 7 - To hang up the connection from the ACS side, just issue:

```
# isdnctrl hangup ippp0
```

PCMCIA Cards Integration

How to configure dial out.

Step 1 - Create a user.

Create a user in `/etc/ppp/pap-secrets` or in `/etc/ppp/chap-secrets`, depending if you want PAP or CHAP authentication.

Step 2 - Change options.

Change the options in `/etc/pcmcia/isdn.opts` to fit your environment. Make sure that `$DIALIN` is set to "no". Set `$USERNAME` to the user name provided by your ISP.

Step 3 - Run `saveconf` to save your changes to the flash.

Step 4 - If the ISDN card is not inserted, it is time to insert the card.

`ippd` is started automatically. Go to step 6.

Step 5 - Restart script.

If the card was already inserted, you will need to restart the `isdn` script to reload any changed configuration. To restart the script, issue:

```
# /etc/pcmcia/isdn stop ipp0
# /etc/pcmcia/isdn start ipp0
```

Step 6 - To dial out, issue the command:

```
# isdnctrl dial ipp0
```

Step 7 - To hangup the connection from the ACS side, just issue:

```
# isdnctrl hangup ipp0
```

Establishing a Callback with your ISDN PC Card

For the same cost saving reasons explained in [Establishing a Callback with your Modem PC Card](#), the ISDN card in the ACS can be configured to callback client machines after receiving dial in calls.

The steps to allow callback are divided into two parts. Part One is the configuration for the ACS (ACS Setup) as callback server. Part Two is the configuration of a Windows 2000 Professional computer as callback client.

ACS setup (Callback Server).

PCMCIA Cards Integration

Step 1 - Change the parameters in `/etc/pcmcia/isdn.opts` to fit your environment.

Step 2 - Set the callback number in `DIALOUT_REMOTENUMBER`:

```
DIALOUT_REMOTENUMBER="8358662" # Remote phone that you want to dial to
```

Step 3 - If your isdn line supports caller id, it is recommended that you also configure the `DIALIN_REMOTENUMBER` and enable secure calls. Otherwise skip to step 4.

```
DIALIN_REMOTENUMBER="8358662" #Remote phone from which you will receive
                               # calls

SECURE="on"                    # "on" = incoming calls accepted only if
                               # remote phone matches DIALIN_REMOTENUMBER;
                               # "off" = accepts calls from any phone. "on"
                               # will work only if your line has the caller
                               # id info.
```

Step 4 - Make sure the `CALLBACK` is set to “in” in `/etc/pcmcia/isdn.opts` file.

```
CALLBACK="in"                 # "in" will enable callback for incoming calls.
```

Step 5 - Uncomment line with user “mary” in `/etc/ppp/pap-secrets`.

Step 6 - Save changes to flash.

```
# saveconf
```

Step 7 - Activate the changes by stopping and starting the isdn script:

```
# /etc/pcmcia/isdn stop ipp0
# /etc/pcmcia/isdn start ipp0
```

The ACS side is done.

Windows 2000 Professional configuration (Callback Client).

Step 1 - Create user “mary” with password “marypasswd” in Control Panel-> “User and Passwords”.

Step 2 - Create a dial-up connection that uses “Modem - AVM ISDN Internet (PPP over ISDN) (AVMISDN1)”.

PCMCIA Cards Integration

(To create a dial-up connection, go to Start->Settings->Network and Dial-up Connections->Make New Connection, select “I want to set up my Internet connection manually, or I want to connect through a local area network”, select “I connect through a phone line and a modem”, select the “AVM ISDN Internet (PPP over ISDN)” modem, type the phone number you dial to connect to the ACS, and enter mary as User name and marypasswd as password.). After creating this dial-up, click on the Properties of this dial-up, select the “Options” panel, and change the redial attempts to 0.

Step 3 - Accept incoming connections.

To accept incoming connections, go to Start->Settings->Network and Dial-up Connections->Make New Connection, select “Accept incoming connections” (the words are slightly different in XP), select AVM ISDN Internet (PPP over ISDN), select “Do not allow virtual private connections”, click the user “mary”, then click on Properties of TCP/IP to specify the IP addresses for the calling computers. Also in “mary” Properties, select the Callback tab and make sure the option “Do not allow callback” is selected. After any change in the Incoming Connection Properties, it is recommended that the Windows is rebooted to apply the changes.

The Windows side is done.

Now you can dial from Windows to the ACS. Go to Start-> Settings-> “Network and Dial-up Connections” and select the dial-up that you created. After the “Dialing” message, you will see a window with a warning message:

```
Opening port...
Error 676: The phone line is busy.
```

Just click Cancel. In a few seconds, the ACS will call you back, and you will see the connection icon in the task bar.

Establishing a Callback with your ISDN PC Card (2nd way)

The previous section explained how to do callback at D-Channel level. The advantages of having callback at D-Channel level is that it works independent of the Operating System on the client side. But a big disadvantage is that the callback call happens before the authentication phase in PPP. The only security is by that only calls from predefined phone numbers are accepted.

To fix that drawback, this section explains another way to have callback with the ACS. The steps described here will work when the remote side is a UNIX machine, not Windows. The callback call will happen after the PPP authentication is successful.

ACS Setup (Callback Server).

Step 1 - Change the parameters in `/etc/pcmcia/isdn.opts` file to fit your environment.

PCMCIA Cards Integration

Step A - Set the callback number in DIALOUT_REMOTENUMBER.

```
DIALOUT_REMOTENUMBER="8358662" # Remote phone that you want to dial to
```

Step B - Configure the DIALIN_REMOTENUMBER.

If your ISDN line supports caller id, it is recommended that you also configure the DIALIN_REMOTENUMBER and enable secure calls. Otherwise skip to Step C.

```
DIALIN_REMOTENUMBER="8358662" # Remote phone from which you will receive
# calls
SECURE="on" # "on" = incoming calls accepted only if
# remote phone matches DIALIN_REMOTENUMBER;
# "off" = accepts calls from any phone. "on"
# will work only if your line has the caller
# id info.
```

Step C - Set the desired IPs for local and remote machines.

Step D - Set DIALIN to “yes”.

```
DIALIN="yes" # "yes" if you want dial in, "no" if you want dial out
```

Step E - Make sure the CALLBACK parameter is disabled.

```
CALLBACK="off" # "off" = callback disabled.
```

Step F - Add the user that will callback the client in DIALIN_AUTHENTICATION.

```
DIALIN_AUTHENTICATION="auth login user mary"
```

Step 2 - Make sure /etc/pam.d/ has the configuration files you want (e.g., radius).

This step is only required if you are using “auth login” in DIALIN_AUTHENTICATION. When using “auth login,” /etc/pam.d/ is what defines which authentication will be used.

Step 3 - Add the user "mary" in /etc/ppp/pap-secrets.

Step 4 - Uncomment lines in /etc/ppp/auth-up.

Step 5 - Save changes to flash:

```
# saveconf
```

Step 6 - Activate the changes by stopping and starting the isdn script:

PCMCIA Cards Integration

```
# /etc/pcmcia/isdn stop ipp0  
# /etc/pcmcia/isdn start ipp0
```

Linux (Callback Client).

Step 1 - Configure the ippd to have user mary and pap authentication.

Step 2 - Dial to the ACS:

```
# isdnctrl dial ipp0
```

Step 3 - As soon the ACS authenticates the user mary, the ACS will disconnect and callback.

CLI Method - ISDN PCMCIA

To configure an ISDN PCMCIA card using the CLI, follow the steps:

Step 1 - Open the CLI interface by issuing the command:

```
# CLI
```

Step 2 - Configuring ISDN parameters.

Depending the way you wish to use the ISDNISDN card, some parameters do not need to be configured. Here we will explain all configurable parameters:

LOCALIP/REMOTEIP: Just configure it if you want to establish a PPP connection. The first command below defines the unit's local IP address and the second one the other side IP address.

```
cli>config network pcmcia 2 isdn localip  
cli>config network pcmcia 2 isdn remoteip
```

ENABLECALLBACK: Configure it if you want to call back another ISDN modem.

```
cli>config network pcmcia 2 isdn enablecallback yes callbacknum 55552244
```

Step 3 - Activating the configuration.

```
cli>config runconfig
```

Step 4 - Save the configuration.

```
cli>config savetoflash
```

PCMCIA Cards Integration

Step 5 - Exiting the CLI mode.

To exit the CLI mode and return to ACS's shell, type the following command:

```
cli>quit
```

7.3 Media Cards

Media cards (compact flash, hard drives) are small memory cards with a capacity up to 5 Gigabytes. They can be used like a normal hard disk drive using IDE. Using an adapter, CF cards can be used in PCMCIA slots. Such an adapter is very cheap, because the PCMCIA and CF card standard are the same, only the pin layout and the socket is different. On the market, there are also small PCMCIA hard drives available, eg. a drive from Toshiba with a capacity of 5GB (Toshiba MK5002MPL). CF card support can be used in the ACS for storing files. This would be especially useful for example to save the configuration. CF cards cannot be rewritten indefinitely. For this reason, CF should not be used for logging.

For data buffering, a PCMCIA hard drive is ideal:

- data will not be lost on power loss / crash / reboot of the CAS.
- no dependency on an NFS server that may fail.

How it works

When inserting an adapter with a CF card or a PCMCIA hard drive, an ide device appears. This can be mounted, eg. by:

```
# mkdir /mnt/ide
# mount /dev/hda1 /mnt/ide
```

Apart from the ext2 filesystem, the VFAT filesystem will be supported. This makes it easy to exchange data with a Windows system. To create a vfat filesystem, the it is possible to run the utility *mkdosfs* .

To initialize a card with VFAT, do:

```
# echo ",,0x0e" | sfdisk /dev/hda
# mkdosfs /dev/hda1
```

for ext2 filesystem, do:

```
# echo ",,L" | sfdisk /dev/hda
```

The "*mke2fs*" utility, is the system creator for ext2 filesystems, and can be run like the following example:

```
# mke2fs /dev/hda1
```

In addition, an utility to create or partition the CF has been added. For this, the program *sfdisk* will be used. *sfdisk* can be easily used for scripting, so it can be called from the prompt shell.

To check an ext2 or vfat filesystem, the utility *fsck* has been added.

PCMCIA Cards Integration

```
# fsck -t <ftype> /dev/<hdxx>
```

When the card is inserted, *cardmgr* loads the *ide-cs* module, which depends on *ide-mod.o*. This in turn loads *ide-probe-mod.o*, which recognizes the CF as a disk, and *ide-disk.o* will be loaded. From this point on, the partitions (usually one) can be mounted using *mount*. If the filesystem is *vfat*, the modules *fat.o* and *vfat.o* will be loaded.

VI Method - Configuration

Step 1 - Insert the card.

Step 2 - Automatic compact flash mounting.

The compact flash will mount automatically because by default, the parameter *DO_MOUNT* is set to YES in the */etc/pcmcia/ide.opts* file. Below is an example of the file:

```
# ATA/IDE drive adapter configuration
# The address format is "scheme,socket,serial_no[,part]".
#
# For multi-partition devices, first return list of partitions in
# $PARTS. Then, we'll get called for each partition.

case "$ADDRESS" in
*,*,*,1)
    #INFO="Sample IDE setup"
    DO_FSTAB="y" ; DO_FSCK="n" ; DO_MOUNT="y"
    FSTYPE="vfat"
    #OPTS=""
    MOUNTPT="/mnt/ide"
    [ -d $MOUNTPT ] || mkdir $MOUNTPT
    ;;
*,*,*)
    PARTS="1"
    # Card eject policy options
    NO_CHECK=n
    NO_FUSER=n
    ;;
esac
```

File Description 7.4: /etc/pcmcia/ide.opts file

These parameters can be changed:

- *DO_FSTAB* - If set to 'y', an entry in */etc/fstab* will be created. This parameter defaults to "n" if not mentioned in the */etc/pcmcia/ide.opts* file.

PCMCIA Cards Integration

- *DO_FSCK* - A boolean (y/n) setting. Specifies if the filesystem should be checked before being mounted. This parameter defaults to “n” in the */etc/pcmcia/ide.opts* file.
- *DO_MOUNT* - If set to ‘y’, the card will be mounted automatically upon insertion. This parameter defaults to ‘n’ if not mentioned in the */etc/pcmcia/ide.opts* file.
- *FS_TYPE* - Can be either 'vfat' or 'ext2'. Determines the filesystem type.
- *MOUNTPT* - The mount point where the partition will be mounted.
- *NO_CHECK/NO_FUSER* - Boolean (y/n) settings for card eject policy. If *NO_CHECK* is true, then “cardctl eject” will shut down a device even if it is busy. If *NO_FUSER* is true, then the script will not try to kill processes using an ejected device. These parameters defaults to "n" if not mentioned in the */etc/pcmcia/ide.opts* file.
- *PARTS* - A list of partitions to be mounted. The conf file will be called again for each partition. In the example above, there is an entry only for partition '1', but you can eg. set *PARTS="1 3 4"* and add entries for the case statement like:

```
*,*,*,3)
# settings for partition 3
;;
*,*,*,4)
# settings for partition 4
;;
```

To give different configuration for slot 0 and 1, the second parameter in the case statement can be used. For example:

```
*,0,*,1)
# settings for slot 0
;;
*,1,*,1)
# settings for slot 1
;;
```

Step 3 - Save the configuration.

To save any configuration done in the */etc/pcmcia/ide.opts* file is necessary to run the command:

```
# saveconf
```

WARNING: Before removing the media pcmcia card from the ACS you **MUST** run “cardctl eject”, otherwise data might not be correctly written to disk and result in corruption of the media. Correct operation of the ACS is not guaranteed if eject is not executed.

CLI Method - Media Cards PCMCIA

Mounting PCMCIA storage devices using the CLI is extremely simple. Just follow the steps below:

PCMCIA Cards Integration

Step 1 - Open the CLI interface by issuing the command:

```
# CLI
```

Step 2 - Enabling the Compact Flash or mini hard drive.

Supposing that the PCMCIA card is placed on slot 1 of the unit, run the command:

```
cli>config network pcmcia 1 cflash enable yes
```

To enable data buffering on this device run the command:

```
cli>config network pcmcia 2 cflash databuf yes
```

Step 3 - Activating the configuration.

```
cli>config runconfig
```

Step 4 - Save the configuration.

```
cli>config savetoflash
```

Step 5 - Check the configuration

The device should be mounted under the `/mnt/ide` directory.

Step 6 - Exiting the CLI mode.

To exit the CLI mode and return to ACS's shell, type the following command:

```
cli> quit
```

WARNING: Before removing the media pcmcia card from the ACS you *MUST* run “`cardctl eject`”, from the shell prompt (not possible using the CLI), otherwise data might not be correctly written to disk and result in corruption of the media. Correct operation of the ACS is not guaranteed if `eject` is not executed.

How to Save/Load Configuration to/from CF/IDE

It is also possible to save and restore the configuration file to/from any PCMCIA-connected file system. By configuring the `saveconf` utility, you can enable the ACS to save the configuration to PCMCIA-mounted file system and define the type of the configuration saved in the device.

There are two ways in which the admin can define this feature:

- default - the system will apply the configuration in the storage device to the current running system after reboot

PCMCIA Cards Integration

- replace - the system will use the configuration in the storage device to replace the existing one in the internal flash of the ACS.

The PCMCIA cards are detected when they are inserted in the slot. If the card is a storage device (Compact Flash or IDE), the system mounts the file system ext2 in the */mnt/ide* directory.

During the boot time, before the call of the *restoreconf* from the internal flash, the system checks for the existence of a config file in the */mnt/ide/proc/flash/script* directory. If the DEFAULT flag is set, the system will use the file in the storage device as the config file. If the DEFAULT flag is not set then the system will use the file in internal flash as the config file.

Saveconf Utility. The syntax is:

```
# saveconf sd [default | replace]
```

The *saveconf* utility will allow to save configuration to PCMCIA mounted file system and will define the type of the configuration saved in the device. The administrator can define the following types :

- default: the configuration in the storage device should be applied to the current running system after reboot
- replace: the configuration in the storage device should be used to replace the existing in the internal flash of the ACS.

The *saveconf* utility creates one file in the storage device to save the default and replace flags. The filename is: */mnt/ide/proc/flash/storageOptions* and it can contain the words *DEFAULT* and/or *REPLACE*.

Restoreconf Utility. The syntax is :

```
# restoreconf sd [default | replace]
```

The *restoreconf* utility can read the configuration from storage device mounted file system and do the following actions:

- default: the configuration is used as the config file (it overrides the internal flash configuration during the boot time)
- replace: the configuration is copied to the internal flash and is used as the config file.

CLI Method: backupconfig

To save/restore the configuration to/from a PCMCIA media card follow the steps below:

PCMCIA Cards Integration

Step 1 - Open the CLI interface by issuing the command:

```
# CLI
```

Step 2 - Saving the configuration to a Storage Device:

```
cli> administration backupconfig saveto sd [default] [replace]
```

Step 3 - Restoring the configuration from a Storage Device:

```
cli> administration backupconfig loadfrom sd
```

Step 4 - Exiting the CLI mode.

To exit the CLI mode and return to ACS's shell, type the following command:

```
cli> quit
```

Generic Dial-Out

This feature allows an application to connect from a central office to a remote location to inquire system status. The remote system can then send asynchronous alarm notification to the application at the central office.

The connection between the central office and the remote location can be done using TCP/IP over an Ethernet network (In-Band), or through a GSM/GPRS and CDMA/1xRTT profiles (Out-of-Band).

Currently "dial-out" application is supported. Use the "/etc/generic-dial.conf" file to configure dial-out ppp connections through a GPRS and 1xRTT profiles. The following example illustrates a dial-out configuration with a wireless ppp connection. The text in bold type face indicates edited text.

PCMCIA Cards Integration

The tail of the file /etc/generic-dial.conf

```
#begin dial-out testApp
#
#inPort.name           InPort
#inPort.device         /dev/ttyS1
#
#outPort.name          OutPort
#outPort.pppcall       wireless
#outPort.remote_ip     200.246.93.87
#outPort.remote_port   7001
#
#appl.retry            7
#
#end dial-out
```

The content of the file /etc/ppp/peers/wireless

```
nodetach
#debug
/dev/ttyM1
57600
crtstcts
lock
noauth
#nomagic
user claro
show-password
noipdefault
defaultroute
ipcp-accept-local
ipcp-accept-remote
noproxyarp
novj
novjccomp
lcp-echo-interval 0
connect '/usr/local/sbin/chat -v -t3 -f /etc/chatscripts/wireless'
```

Configuring the generic-dial.conf

The file "/etc/generic-dial.conf" contains sections that corresponds to instances of generic-dial applications. For example,

PCMCIA Cards Integration

```
# begin <application-type> [instanceID]
#....
#....
# end <application-type>
```

Where [instanceID] is an optional string to identify a particular instance, and <application type> corresponds to specific application(s) built over the infrastructure. Within each application the parameters needed to create the objects for that specific instance is inserted.

Configuring Generic Dial-Out

Step 1 - To enable the generic dial-out application, configure the desired ports with the protocol parameter in `/etc/portslave/pslave.conf`.

For example:

```
s<N>.protocol generic_dial
```

where <N> is the port number.

Step 2 - To enable dial-out for the ports chosen in `pslave.conf`, configure the file `/etc/generic-dial.conf` as described in the following table.

Parameter	Description
<code>begin <dial-out> [<i><instance-id></i>]</code>	Begins the dial-out application. Optionally specify a name for the particular instance.
<code>inPort.name <name></code>	A label for the incoming port to be used in log messages.
<code>inPort.device </dev/ttyXX></code>	The modem device used for this interface.
<code>inPort.speed <9600></code>	Connection speed.
<code>inPort.datasize <8></code>	The number of data bits.
<code>inPort.parity [none even odd]</code>	None, even, or odd.
<code>inPort.stopbits <1></code>	The number of stop bits.

PCMCIA Cards Integration

Parameter	Description
<code>inPort.flowctrl [none hw sw]</code>	Gateway or interface address used for the route.
<code>outPort.name <name></code>	A label for the outgoing port to be used in log messages.
<code>outPort.pppcall <filename></code>	Name of file that the pppd reads options from. The file is located at <code>/etc/ppp/peers/<filename></code> .
<code>outPort.remote_ip <IP address></code>	IP address of remote work station to be connected to.
<code>outPort.remote_port <port></code>	Remote TCP port for connections from this interface.
<code>outPort.connection [permanent on_demand]</code>	Specifies how to maintain the outgoing path: <ul style="list-style-type: none">• <code>permanent</code> – always connected.• <code>on_demand</code> – connects only when data enters through the serial port.
<code>outPort.timeout <timeout> (seconds)</code>	Specify the inactivity time in seconds after which the connection is dropped. Any value other than zero enables the timeout.
<code>appl.retry <interval> (minutes)</code>	Specify the time to wait before reconnecting after a connection failure.
<code>end <dial-out></code>	Ends the dial-out application.

Step 3 - Configure the PPP options (pppd) in `/etc/ppp/peers/<name>`

Where `<name>` is the same as the `<filename>` variable specified in the `outPort.pppcall <filename>` parameter in `/etc/generic-dial.conf`.

The following example shows the `/etc/ppp/peers/wirelss` file.

PCMCIA Cards Integration

In this example note that the “connect” script initiates the connection. The file “wireless” executes using the “chat” automated modem communication scrip with the parameters -v (verbose mode), -t (timeout), and -f (read the chat script from the /etc/chatscripts/wireless file).

```
[root@CAS root]# more /etc/ppp/peers/wireless
nodetach
#debug
/dev/ttyM1
57600
crtcts
lock
noauth
#nomagic
user claro
show-password
noipdefault
defaultroute
ipcp-accept-local
ipcp-accept-remote
noproxyarp
novj
novjccomp
lcp-echo-interval 0
connect '/usr/local/sbin/chat -v -t3 -f /etc/chatscripts/wireless'
```

Step 4 - Edit the /etc/pcmcia/serial.opts file:

a. If the SIM card (GSM) needs a PIN, uncomment the following line and replace 1111 with the PIN.

```
INITCHAT="- \d\d\d+++ \d\d\datz OK at+cpin=1111 OK"
```

b. To inactivate mgetty on the specified port so that the port will be directly controlled by the pppd application, comment out the following line.

```
#INITTAB="/sbin/mgetty"
```

Step 5 - Activate the function to automatically restart the dial-out application after reboot.

PCMCIA Cards Integration

Edit the following parameter in the `/etc/daemon.d/gendial.sh` file to enable the "automatically established" feature. The script restarts the dial-out function after a reboot.

- a) Set the parameter as described below.

```
ENABLE = YES
```

- b) Save the `gendial.sh` configuration file by issuing the following command in ACS.

```
[root@CAS root]# saveconf
```

Step 6 - To Activate the dial-out function, issue the following command.

Note: It is not necessary to reboot the ACS to activate the dial-out function. You can do this by restarting the GDF daemon.

```
[root@CAS root]# daemon.sh restart GDF
```

A message similar to the following displays, confirming the GDF daemon restart.

```
[root@CAS root]# Sep 23 18:06:10 src_dev_log@CAS showlogmsg:  
/bin/daemon.sh: CONFIG: Network daemon [generic-dial] started
```

The default route is not replaced in the static router table. The following message displays.

```
[root@CAS root]# Sep 23 18:06:17 src_dev_log@CAS pppd[1028]: not replacing  
existing default route to eth0 [172.20.0.1]
```

Step 7 - To change a static route or create a new one.

- a) Edit the parameters in the `/etc/network/st_routes` file.
- b) Activate the new routes by issuing the following command:

```
#> runconf
```

- c) Save the new configuration to flash.

```
#> saveconf
```

- d) Check the routes by issuing the following command.

```
#> route -n
```


Chapter 8

Profile Configuration

This chapter begins with a table containing parameters common to all profiles, followed by tables with parameters specific to a certain profile. You can find samples of the pslave configuration files (pslave.conf, .cas, .ts, and .ras) in the `/etc/portslave` directory.

Then all possible profiles (CAS, TS and RAS) and the necessary parameters that need to be configured in the `/etc/portslave/pslave.conf` file. This chapter includes the following sections:

- [The pslave.conf file](#)
- [Examples for configuration testing](#)

8.1 The pslave.conf file

This is the main configuration file (`/etc/portslave/pslave.conf`) that contains most product parameters and defines the functionality of the ACS .

There are three basic types of parameters in this file:

- `conf.*` parameters are global or apply to the Ethernet interface.
- `all.*` parameters are used to set default parameters for all ports.
- `s#.*` parameters change the default port parameters for individual ports.

An `all.*` parameter can be overridden by a `s#.*` parameter appearing later in the `pslave.conf` file (or vice-versa).

TIP. You can do a find for each of these parameters in vi, once you open this file by typing:
`/ <your string>`

To search the file downward for the string specified after the `/`.

pslave.conf common parameters

The tables below present all parameters with their respective descriptions. The first table presents parameters that are common for any profile. The second, third and fourth tables define specific parameters for CAS, TS and Dial-in profiles respectively.

Profile Configuration

Parameter	Description	Factory Configuration
conf.dhcp_client	It defines the dhcp client operation mode. Valid values: 0 - DHCP disabled 1 - DHCP active 2 - DHCP active and the unit saves the last IP assigned by the DHCP server in flash.	2
conf.eth_ip_alias	Secondary IP address for the Ethernet interface (needed for clustering feature). Note: This parameter is inactive by default. To activate, uncomment the parameter and set the desired value.	0
conf.eth_mask_alias	Mask for the secondary IP address above. Note: This parameter is inactive by default. To activate, uncomment the parameter and set the desired value.	0
conf.rlogin	It defines the location of rlogin utility <i>Note: This is a parameter specific to TS profile.</i>	/usr/local/bin/rlogin-radius
conf.facility	The local facility sent to syslog-ng from PortSlave.	7
conf.group	Used to group users to simplify the configuration of the parameter all.users later on. This parameter can be used to define more than one group. Note: This parameter is inactive by default. To activate, uncomment the parameter and set the desired value.	0
conf.eth_ip	Configured in Chapter 4. This is the IP address of the Ethernet interface. This parameter, along with the next two, is used by the <i>cy_ras</i> program to OVERWRITE the file <i>/etc/network/ifcfg_eth0</i> as soon as the command “ <i>runconf</i> ” is executed. The file <i>/etc/network/ifcfg_eth0</i> should not be edited by the user unless the <i>cy_ras</i> configuration is not going to be used. Note: This parameter is inactive by default. To activate, uncomment the parameter and set the desired value.	0 (IP address received from DHCP Server)

Table 8.1: */etc/portslave/pslave.conf* common parameters

Profile Configuration

Parameter	Description	Factory Configuration
conf.eth_mask	The mask for the Ethernet network. Note: This parameter is inactive by default. To activate, uncomment the parameter and set the desired value.	0 (IP mask received from DHCP Server)
conf.eth_mtu	The Maximum Transmission Unit size, which determines whether or not packets should be broken up.	1500
conf.lockdir	The lock directory, which is <code>/var/lock</code> for the ACS . It should not be changed unless the user decides to customize the operating system.	<code>/var/lock</code>
all.dcd	DCD signal (sets the tty parameter CLOCAL). Valid values are 0 or 1. If <i>all.dcd=0</i> , a connection request will be accepted regardless of the DCD signal and the connection will not be closed if the DCD signal is set to DOWN. If <i>all.dcd=1</i> a connection request will be accepted only if the DCD signal is UP and the connection will be closed if the DCD signal is set to DOWN.	0
all.users	Restricts access to ports by user name (only the users listed can access the port or, using the character “!”, all but the users listed can access the port.) In this example, the users joe, mark and members of user_group cannot access the port. A single comma and spaces/tabs may be used between names. A comma may not appear between the “!” and the first user name. The users may be local, Radius or TacacsPlus. User groups (defined with the parameter conf.group) can be used in combination with user names in the parameter list. Notice that these are common users, not administrators. Note: This parameter is inactive by default. To activate, uncomment the parameter and set the desired value.	null

Table 8.1: /etc/portslave/pslave.conf common parameters

Profile Configuration

Parameter	Description	Factory Configuration
all.issue	<p>This text determines the format of the login banner that is issued when a connection is made to the ACS. \n represents a new line and \r represents a carriage return. Expansion characters can be used here. The default parameter is:</p> <pre>\r\n\ Welcome to Console Server Management Server %h port S%p \n\ \r\n</pre>	See Description column
all.prompt	<p>This text defines the format of the login prompt. Expansion characters can be used here.</p>	%h login:
all.media	<p>It defines media type RS232/RS484 and operation mode half/full duplex.</p> <p>Valid values for all products :</p> <ul style="list-style-type: none"> •rs232 - RS232 (default value). •rs232_half - RS232 with RTS legacy half duplex •rs232_half_cts - RS232 with RTS legacy half duplex and CTS control <p>Valid values for the ACS1 only :</p> <ul style="list-style-type: none"> •rs485_half - RS485 half duplex with out terminator •rs485_half_terminator - RS485 half duplex with terminator •rs485_full_terminator - RS485 full duplex with terminator •rs422 - alike rs485_full_terminator <p>Note: This parameter is inactive by default. To activate, uncomment the parameter and set the desired value.</p>	rs232
all.netmask	It defines the network mask for the serial port.	255.255.255.255
all.mtu	It defines the maximum transmit unit	1500
all.mru	It defines the maximum receive unit	1500
all.sysutmp	It defines whether portslave must write login records. Valid values are yes or no.	1

Table 8.1: /etc/portslave/pslave.conf common parameters

Profile Configuration

Parameter	Description	Factory Configuration
all.pmtype	<p>Name of the IPDU manufacturer.</p> <p>Note: This parameter is inactive by default. To activate, uncomment the parameter and set the desired value.</p>	null
all.pmusers	<p>List of the outlets each user can access.</p> <p>Note: This parameter is inactive by default. To activate, uncomment the parameter and set the desired value.</p>	null
all.pmkey	<p>The hotkey that identifies the power management command.</p> <p>Note: This parameter is inactive by default. To activate, uncomment the parameter and set the desired value.</p>	off
all.sttyCmd	<p>The TTY is programmed to work as configured and this user-specific configuration is applied over that serial port. Parameters must be separated by a space. The following example sets :</p> <p style="padding-left: 40px;">-igncr</p> <p>This tells the terminal not to ignore the carriage-return on input,</p> <p style="padding-left: 40px;">-onlcr</p> <p>Do not map newline character to a carriage return or newline character sequence on output,</p> <p style="padding-left: 40px;">opost</p> <p>Post-process output,</p> <p style="padding-left: 40px;">-icrnl</p> <p>Do not map carriage-return to a newline character on input.</p> <p style="padding-left: 40px;">all.sttyCmd -igncr -onlcr opost -icrnl</p> <p>Note: This parameter is inactive by default. To activate, uncomment the parameter and set the desired value.</p>	null

Table 8.1: /etc/portslave/pslave.conf common parameters

Profile Configuration

Parameter	Description	Factory Configuration
all.utmpfrom	<p>It allow the administrator to customize the field "FROM" in the login records (utmp file). It is displayed in the "w" command.</p> <p>The default value is "%g:%P.%3.%4"</p> <p>%g : process id %P : Protocol %3 : Third nibble of remote IP %J : Remote IP</p> <p>Note: In the pslave.conf file there is a list of all expansion variables available.</p>	"%g:%P.%3.%4"
all.radnullpass	It defines whether the access to users with null password in the radius server must be granted or not.	0
all.speed	The speed for all ports.	9600
all.datasize	The data size for all ports.	8
all.stopbits	The number of stop bits for all ports.	1
all.parity	The parity for all ports.	none
all.authtype	<p>Configured in Chapter 2, "Device Authentication" on page 53. Type of authentication used. There are several authentication type options:</p> <ul style="list-style-type: none"> • none (no authentication) • local (authentication is performed using the <code>/etc/passwd</code> file) • remote (This is for a terminal profile only. The unit takes in a username but does not use it for authentication. Instead it passes it to the remote server where it is then used for authentication.) • radius (authentication is performed using a Radius authentication server) • TacacsPlus (authentication is performed using a TacacsPlus authentication server) • ldap (authentication is performed against an ldap database using an ldap server. The IP address and other details of the ldap server are defined in the file <code>/etc/ldap.conf</code>) 	none

Table 8.1: `/etc/portslave/pslave.conf` common parameters

Profile Configuration

Parameter	Description	Factory Configuration
all.authtype <i>continuation...</i>	<ul style="list-style-type: none"> • kerberos (authentication is performed using a kerberos server. The IP address and other details of the kerberos server are defined in the file <i>/etc/krb5.conf</i>) • local/radius (authentication is performed locally first, switching to Radius if unsuccessful) • radius/local (the opposite of the previous option) • local/TacacsPlus (authentication is performed locally first, switching to TacacsPlus if unsuccessful) • TacacsPlus/local (the opposite of the previous option) • RadiusDownLocal (local authentication is tried only when the Radius server is down) • TacacsPlusDownLocal (local authentication is tried only when the TacacsPlus server is down) • kerberosDownLocal (local authentication is tried only when the kerberos server is down) • ldapDownLocal (local authentication is tried only when the ldap server is down) • NIS - All authentication types but NIS follow the format <i>all.authtype</i> <Authentication> DownLocal or <Authentication> (e.g. <i>all.authtype radius</i> or <i>radiusDownLocal</i> or <i>ldap</i> or <i>ldapDownLocal</i>, etc). NIS requires <i>all.authtype</i> to be set as local, regardless if it will be "nis" or its "Downlocal" equivalent. The service related to "nis" or its "Downlocal" equivalent would be configured in the <i>/etc/nsswitch.conf</i> file, not in the <i>/etc/portslave/pslave.conf</i> file. <p>Note: This parameter controls the authentication required by the ACS . The authentication required by the device to which the user is connecting is controlled separately.</p>	
all.break_sequence	This parameter is the string that is used to send a break to the TTY. It is only valid if TTY protocol is socket_ssh, socket_server, or socket_server_ssh.	~break
all.break_interval	This parameter defines the break duration in milliseconds. It is valid if TTY protocol is socket_ssh,socket_server, socket_server_ssh, or ssh-2 (client).	500

Table 8.1: /etc/portslave/pslave.conf common parameters

Profile Configuration

Parameter	Description	Factory Configuration
all.flow	This sets the flow control to hardware, software, or none.	none

Table 8.1: /etc/portslave/pslave.conf common parameters

Profile Configuration

Parameter	Description	Factory Configuration
all.protocol	<p>Defines the protocol used to connect with the ACS . For each profile there are some valid values:</p> <ul style="list-style-type: none"> • CAS profile: <ul style="list-style-type: none"> - <i>socket_server</i> when Telnet is used. - <i>socket_ssh</i> when SSHv1 or SSHv2 is used. - <i>socket_server_ssh</i> when Telnet or SSHv1 or SSHv2 is used. - <i>raw_data</i> to exchange data in transparent mode. It is similar to “socket_server” mode, but without Telnet negotiation, breaks to serial ports, etc. • TS profile: <ul style="list-style-type: none"> - <i>login</i> requests username and password. - <i>rlogin</i> receives username from the ACS and requests a password. - <i>Telnet</i> - <i>SSHv1</i> - <i>SSHv2</i> - <i>socket_client</i> <p>If the protocol is configured as Telnet or <i>socket_client</i> the <i>socket_port</i> parameter needs to be configured.</p> <ul style="list-style-type: none"> • Bidirectional Telnet profile: <i>socket_server (CAS)</i>, and <i>login (TS)</i> • RAS profile: <i>slip, cslip, ppp, ppp_only</i> • Power Management: <i>ipdu</i> • Serial Printer : <i>lpd</i> • Billing profile: <i>billing</i> <p><u>ACS1 only:</u></p> <ul style="list-style-type: none"> • Automation profile: "<i>modbus</i>", in this case, serial mode can be <i>ascii</i> or <i>rtu</i>. To enable "<i>modbus</i>" it is necessary to uncomment the related line as shown below: <pre># Modbus/TCP Protocol modbus stream tcp nowait.1000 root /bin/modbusd modbusd</pre> <p>Then, enable it by running the command:</p> <pre>daemon.sh restart NET</pre> <ul style="list-style-type: none"> • PPP over leased lines (only authentication PAP/CHAP): "<i>ppp_only</i>" • PPP with terminal post dialing (Auto detect PPP): "<i>ppp</i>" 	socket_server

Table 8.1: /etc/portslave/pslave.conf common parameters

Profile Configuration

Parameter	Description	Factory Configuration
all.web_WinEMS	<p>Defines whether or not management of Windows Emergency Management Service is allowed from the Web.</p> <p>Note: This parameter is inactive by default. To activate, uncomment the parameter and set the desired value.</p>	no
all.xml_monitor	<p>A non-zero value activates XML monitoring. All XML data received from the port is captured and sent to syslog-ng with facility LOCAL<DB_facility> and priority INFO. The format of the message is "XML_MONITOR (ttySx) [data]". XML tags are sent by Windows Server 2003 Emergency Management Services during boot or crash. You can read more on XML_MONITOR in:</p> <p><i>/etc/syslog-ng/syslog-ng.conf</i></p> <p>Note: This parameter is inactive by default. To activate, uncomment the parameter and set the desired value.</p>	0
all.translation	<p>Defines whether or not to perform translation of Fn-keys (e.g. F8 key) from one terminal type to VT-UTF8. Currently only translation from xterm to VT-UTF8 is supported.</p> <p>Note: This parameter is inactive by default. To activate, uncomment the parameter and set the desired value.</p>	null
sX.pmoutlet	<p>sX indicates the serial port number to which the PM hardware is connected. The pmoutlet part of the parameter indicates the outlet # on the PM hardware that manages the server/network equipment in question.</p>	8
s1.tty	<p>The device name for the port is set to the value given in this parameter. If a device name is not provided for a port, it will not function.</p> <p>Note: This parameter is disable by default. To activate, uncomment the parameter.</p>	disabled

Table 8.1: */etc/portslave/pslave.conf* common parameters

Profile Configuration

pslave.conf CAS (Console Access Server) parameters

You can configure additional CAS features with the parameters given on the following tables.

In addition to the above parameters which are common to all local and remote access scenarios, you can also configure the following parameters for additional options. Many of the parameters are unique to CAS, but some also apply to TS and Dial-in port profiles. These are going to be indicated in the appropriate instances.

Parameter	Description	Factory Configuration
conf.nfs_data_buffering	<p>This is the Remote Network File System where data captured from the serial port will be written instead of being written to the local directory <code>/var/run/DB</code>. The directory tree to which the file will be written must be NFS-mounted, so the remote host must have NFS installed and the administrator must create, export and allow reading/writing to this directory. The size of this file is not limited by the value of the parameter <code>all.data_buffering</code>, though the value cannot be zero since a zero value turns off data buffering. The size of the file is dependent on the NFS server only (hard drive, partition size, etc.).</p> <p>Note: This parameter is inactive by default. To activate, uncomment the parameter and set the desired value.</p>	null
conf.DB_facility	<p>This value (0-7) is the Local facility sent to the syslog with the data when <code>syslog_buffering</code> is active. The file <code>/etc/syslog-ng/syslog-ng.conf</code> contains a mapping between the facility number and the action (see more on Section 5.4, “Syslog-ng,” on page 161).</p>	7

Table 8.2: CAS specific parameters for the `pslave.conf`

Profile Configuration

Parameter	Description	Factory Configuration
conf.nat_clustering_ip	<p>IP address of any ACS interface (master box). It is a public IP address (e.g. Ethernet's interface IP address) and it is the one that must be used to connect the slave's serial ports. You can use the same value assigned to the Ethernet's IP address as that of the master box in the chain.</p> <p>Note: This parameter is inactive by default. To activate, uncomment the parameter and set the desired value.</p>	0
all.ipno	<p>This is the default IP address of the ACS 's serial ports. The “+” indicates that the first port should be addressed as 192.168.1.101 and the following ports should have consecutive values. Any host can access a port using its IP address as long as a path to the address exists in the host's routing table.</p> <p>Note: This parameter is inactive by default. To activate, uncomment the parameter and set the desired value.</p>	0
all.netmask	It defines the network mask for the serial port.	255.255.255.255
all.DTR_reset	<p>This parameter specifies the behavior of the DTR signal in the serial port. If set to zero the DTR signal will be ON if there is a connection to the serial port, otherwise OFF. If set from 1 to 99 the DTR signal will be always ON. A value greater or equal 100 specifies for how long (in milliseconds) the DTR signal will be turned off before it is turned back on again when a connection to the serial port is closed.</p>	100
all.break_sequence	<p>This parameter is the string that is used to send a break to the TTY. It is only valid if TTY protocol is <code>socket_ssh</code>, <code>socket_server</code>, or <code>socket_server_ssh</code>.</p>	~break
all.break_interval	<p>This parameter defines the break duration in milliseconds. It is valid if TTY protocol is <code>socket_ssh</code>.</p>	500

Table 8.2: CAS specific parameters for the `pslave.conf`

Profile Configuration

Parameter	Description	Factory Configuration
all.modbus_smode	<p>Communication mode through the serial ports. This parameter is meaningful only when modbus protocol is configured. The valid options are ascii (normal TX/RX mode) and rtu (some time constraints are observed between characters while transmitting a frame). If not configured, ASCII mode will be assumed.</p> <p>Note: This parameter is inactive by default. To activate, uncomment the parameter and set the desired value.</p>	ascii
all.lf_suppress	<p>This can be useful because Telnetting (from DOS) from some OS such as Windows 98 causes produces an extra line feed so two prompts appear whenever you press Enter. When set to 1, line feed suppression is active which will eliminate the extra prompt. When set to 0 (default), line feed suppression is not active.</p>	0
all.auto_answer_input	<p>This parameter works in conjunction with <i>all.auto_answer_output</i>. It allows you to configure a string that will be matched against all data coming in from the tty (remote server). If there is a match, the configured output string (<i>auto_answer_output</i>) will then be send back to the tty. This parameter works only when there is no session to the port. If uncommented and a string of bytes is set, matching occurs whenever there is not session established to the port. If this parameter is commented out, then no checking and matching occurs.</p> <p>Note: This parameter is inactive by default. To activate, uncomment the parameter and set the desired value.</p>	null

Table 8.2: CAS specific parameters for the pslave.conf

Profile Configuration

Parameter	Description	Factory Configuration
all.auto_answer_output	<p>This parameter works in conjunction with <i>all.auto_answer_input</i>. It allows you to configure a string that is sent back to the remote server whenever the incoming data remote server matches with <i>all.auto_answer_input</i>. This parameter works only when there is no session to the port. If this parameter is commented, then nothing will be sent back to the remote server even if <i>all.auto_answer_input</i> is uncommented. If this parameter is uncommented and if <i>all.auto_answer_input</i> is also uncommented, then the string configured will be sent back to the remote server.</p> <p>Note: This parameter is inactive by default. To activate, uncomment the parameter and set the desired value.</p>	null
all.poll_interval	<p>Valid only for protocols <i>socket_server</i> and <i>raw_data</i>. When not set to zero, this parameter sets the wait for a TCP connection keep-alive timer. If no traffic passes through the ACS for this period of time, the ACS will send a line status message to the remote device to see if the connection is still up. If not configured, 1000 ms is assumed (the unit for this parameter is ms). If set to zero, line status messages will not be sent to the socket client.</p> <p>Note: This parameter is inactive by default. To activate, uncomment the parameter and set the desired value.</p>	1000

Table 8.2: CAS specific parameters for the *pslave.conf*

Profile Configuration

Parameter	Description	Factory Configuration
all.socket_port	In the CAS profile, this defines an alternative labeling system for the ACS ports. The “+” after the numerical value causes the serial interfaces to be numbered consecutively. In this example, serial interface 1 is assigned the port value 7001, serial interface 2 is assigned the port value 7002, etc. One example on how this could be used is in the case of all.protocol or s<n>.protocol socket_ssh and the port value (7001, 7002, etc), if supplied by the SSH client like username:port value, the SSH client will be directly connected with the serial interface.	7001+
all.data_buffering	A non zero value activates data buffering (local or remote, according to what was configured in the parameter <i>conf.nfs_data_buffering</i> see Section 2.2, “Data Buffering,” on page 29 in Chapter 1). If local data buffering, a file is created on the ACS ; if remote, a file is created through NFS in a remote server. All data received from the port is captured in this file. If local data buffering, this parameter means the maximum file size (in bytes). If remote, this parameter is just a flag to activate (greater than zero) or deactivate data buffering. When local data buffering is used, each time the maximum is reached the oldest 10% of stored data is discarded, releasing space for new data (FIFO system) - circular file. When remote data buffering is used, there's no maximum file size other than the one imposed by the remote server - linear file. This file can be viewed using the normal Unix tools (cat, vi, more, etc.). Size is in bytes not kilobytes. See Data Buffering for details.	0

Table 8.2: CAS specific parameters for the pslave.conf

Profile Configuration

Parameter	Description	Factory Configuration
all.DB_mode	When configured as cir for circular format, the buffer works like a revolving file at all times. The file is overwritten whenever the limit of the buffer size (as configured in <i>all.data_buffering</i> or <i>s<n>.data_buffering</i>) is reached. As for linear format (lin), once the limit of the kernel buffer size is reached (4k), a flow control stop (RTS off or XOFF-depending on how all.flow or s<n>.flow is set) is issued automatically to the remote device so that it will stop sending data to the serial port. Then, when a session is established to the serial port, the data in the buffer is shown to the user if not empty (dont_show_DBmenu parameter assumed to be 2), cleared, and a flow control start (RTS on or XON) is issued to resume data transmission. Once exiting the session, linear data buffering resumes. If all.flow or s<n>.flow is set to none, linear buffering is not possible as there is no way to stop reception through the serial line. Default is cir.	cir
all.DB_timestamp	Records the time stamp in the data buffering file (1) or not (0). If it is configured as 1, the software will accumulate input characters until it receives a CR and LF from the serial port or the accumulated data reaches 256 characters. Either way, the accumulated data will be recorded in the data buffering file along with the current time. The parameter <i>all.data_buffering</i> has to be with a non-zero value for this parameter to be meaningful. Note: This parameter is inactive by default. To activate, uncomment the parameter and set the desired value.	0

Table 8.2: CAS specific parameters for the *pslave.conf*

Profile Configuration

Parameter	Description	Factory Configuration
all.syslog_buffering	When non zero, the contents of the data buffer are sent to the syslog-ng every time a quantity of data equal to this parameter is collected. The syslog level for data buffering is hard coded to level 5 (notice) and facility local[0+conf.DB_facility]. The file <i>/etc/syslog-ng/syslog-ng.conf</i> should be set accordingly for the syslog-ng to take some action. (See Section 2.2, “Data Buffering,” on page 29 to use it with Syslog Buffering Feature.)	0
all.syslog_sess	Syslog_buffering must be activated for the following to work. When 0, syslog messages are always generated whether or not there is a session to the port sending data to the unit. When 1, syslog messages are NOT generated when there IS a session to the port sending data to the unit, but resumes generation of syslog messages when there IS NOT a session to the port.	0
all.dont_show_DBmenu	When zero, a menu with data buffering options is shown when a non empty data buffering file is found. <ul style="list-style-type: none"> • When 1, the data buffering menu is not shown. • When 2, the data buffering menu is not shown but the data buffering file is shown if not empty. • When 3, the data buffering menu is shown, but without the erase and show and erase options. <p>Note: This parameter is inactive by default. To activate, uncomment the parameter and set the desired value.</p>	0
all.alarm	When non zero, all data received from the port are captured and sent to syslog-ng with level INFO and local[0+conf.DB_facility]facility. The <i>syslog-ng.conf</i> file should be set accordingly, for the <i>syslog-ng</i> to take some action (please see Section 5.4, “Syslog-ng,” on page 161 for the <i>syslog-ng</i> configuration file).	0

Table 8.2: CAS specific parameters for the pslave.conf

Profile Configuration

Parameter	Description	Factory Configuration
all.billing_records	Billing file size configuration. A non-zero value defines the maximum number of billing records within a billing file. Zero stops billing recording. The billing files are located at /var/run/DB and are named cycXXXXX-YYMMDD.hhmmss.txt (e.g., cycTS100-030122.153611.txt).	50
all.billing_timeout	Billing timeout configuration. A non-zero value defines how long (minutes) a billing file should be waiting for records before close. After a file is closed, this file is available for transfer and a new one is opened. Zero means “no timeout” and so the file is only closed after “billing_records” are received.	60
all.billing_eor	Defines the character sequence that terminates each billing record. Any character sequence is valid, including '\r' or '^M' (carriage return), '\n' or '^J' (new line), etc..."	"\n"
all.sniff_mode	This parameter determines what other users connected to the very same port (see parameter admin_users below) can see of the session of the first connected user (main session): <ul style="list-style-type: none"> • in shows data written to the port • out shows data received from the port • i/o shows both streams • no means sniffing is not permitted. The second and later sessions are called sniff sessions and this feature is activated whenever the protocol parameter is set to socket_ssh, socket_server, or socket_server_ssh.	no

Table 8.2: CAS specific parameters for the pslave.conf

Profile Configuration

Parameter	Description	Factory Configuration
all.admin_users	<p>This parameter determines which users can receive the sniff session menu. Then they have options to open a sniff session or cancel a previous session. When users want access per port to be controlled by administrators, this parameter is obligatory and authtype must not be none. User groups (defined with the parameter conf.group) can be used in combination with user names in the parameter list.</p> <p>Note: This parameter is inactive by default. To activate, uncomment the parameter and set the desired value.</p>	null
all.multiple_sessions	<p>Allows users to open more than one common and sniff session on the same port. The options are “yes,” “no,” “RW_session,” or “sniff_session.” Default is set to “no.” Please see Section 5.11, “Session Sniffing,” on page 201 for details.</p> <p>Note: This parameter is inactive by default. To activate, uncomment the parameter and set the desired value.</p>	no
all.escape_char	<p>This parameter determines which character must be typed to make the session enter “menu mode”. The possible values are <CTRL-a> to <CTRL-z>. Represent the CTRL with '^'. This parameter is only valid when the port protocol is socket_server, socket_ssh, or socket_server_ssh. Default value is '^z'.</p> <p>Note: This parameter is inactive by default. To activate, uncomment the parameter and set the desired value.</p>	^z

Table 8.2: CAS specific parameters for the pslave.conf

Profile Configuration

Parameter	Description	Factory Configuration
all.tx_interval	<p>Valid for protocols socket_server and raw_data. Defines the delay (in milliseconds) before transmission to the Ethernet of data received through a serial port. If not configured, 100ms is assumed. If set to zero or a value above 1000, no buffering will take place.</p> <p>Note: This parameter is inactive by default. To activate, uncomment the parameter and set the desired value.</p>	100
all.idleinterval	<p>Specifies how long (in minutes) a connection can remain inactive before it is cut off. If it set to zero, the connection will not time out.</p> <p>Note: This parameter is inactive by default. To activate, uncomment the parameter and set the desired value.</p>	0
s1.alias	<p>Alias name given to the server connected to the serial port. Server_connected.</p> <p>Note: This parameter is inactive by default. To activate, uncomment the parameter and set the desired value.</p>	null
s1.pool_ipno	<p>This is the default IP of the ACS's pool of serial ports. Any host can access a port from the pool using its pool's IP address as long as a path to the address exists in the host's routing table.</p>	192.168.2.1
s1.pool_socket_port	<p>In the CAS profile, this defines an alternative labeling system for the ACS pool of ports. In this example, serial interface 1 is assigned to the pool identified by port value 3001. Using <i>s<serial port #>.pool_socket_port</i> one can assign each serial interface to a different pool of ports. One serial interface can belong to just one pool of ports. Each pool of ports can have any number of serial interfaces.</p>	3000

Table 8.2: CAS specific parameters for the pslave.conf

Profile Configuration

Parameter	Description	Factory Configuration
s1.pool_alias	Alias name given to the pool where this serial interface belong to. Important: <i>pool_alias</i> can't have the characters '~', '*', '?', ' ', and '/'.	pool_1
s2.tty	It defines the physical device name associated to the serial port (without the /dev/). Note: This parameter is inactive by default. To activate, uncomment the parameter.	disabled
s8.tty	It defines the physical device name associated to the serial port (without the /dev/). Note: This parameter is inactive by default. To activate, uncomment the parameter.	disabled

Table 8.2: CAS specific parameters for the *pslave.conf*

pslave.conf TS (Terminal Server) parameters

The following parameters are unique to a TS setup except where indicated.

Parameter	Description	Factory Configuration
conf.telnet	Location of the Telnet utility	/usr/bin/telnet
conf.ssh	Location of the SSH utility.	/bin/ssh
conf.locallogins	This parameter is only necessary when authentication is being performed for a port. When set to one, it is possible to log in to the ACS directly by placing a “!” before your login name, then using your normal password. This is useful if the Radius authentication server is down.	1
all.host	The IP address of the host to which the terminals will connect.	192.168.160.8

Table 8.3: TS specific parameters for the *pslave.conf* file

Profile Configuration

Parameter	Description	Factory Configuration
all.term	This parameter defines the terminal type assumed when performing rlogin or Telnet to other hosts.	vt100
all.userauto	Username used when connected to a UNIX server from the user's serial terminal. Note: This parameter is inactive by default. To activate, uncomment the parameter and set the desired value.	null
all.protocol (for TS)	For the terminal server configuration, the possible protocols are, - <i>login</i> , requests username and password. - <i>rlogin</i> , receives username from the ACS and requests a password. - <i>Telnet</i> - <i>SSHv1</i> - <i>SSHv2</i> - <i>socket_client</i> If the protocol is configured as <i>Telnet</i> or <i>socket_client</i> the <i>all.socket_port</i> parameter needs to be configured.	socket_server
all.socket_port	The socket_port is the TCP port number of the application that will accept connection requested by this serial port. That application usually is Telnet (23).	7001+
all.telnet_client_mode	When the protocol is Telnet, this parameter configured as BINARY (1) causes an attempt to negotiate the Telnet Binary option on both input and output with the Telnet server. So it puts the Telnet client in binary mode. The acceptable values are "0" or "1", where "0" is text mode (default) and "1" is a binary mode. Note: This parameter is inactive by default. To activate, uncomment the parameter and set the desired value.	0
s16.tty (TS)	It defines the physical device name associated to the serial port (without the /dev/). Note: This parameter is inactive by default. To activate, uncomment the parameter.	disabled

Table 8.3: TS specific parameters for the *pslave.conf* file

Profile Configuration

pslave.conf Dial-in parameters

The following parameters are unique to a Dial-in setup except where indicated.

Parameter	Description	Factory Configuration
conf.pppd	Location of the ppp daemon with Radius.	/usr/local/sbin/pppd
all.netmask	It defines the network mask for the serial port.	255.255.255.255
all.ipno (CAS and Dial-in)	See description in CAS section.	192.168.1.101+
all.initchat	Modem initialization string. Note: This parameter is inactive by default. To activate, uncomment the parameter and set the desired value.	null
all.autoppp	<i>all.autoppp</i> PPP options to auto-detect a ppp session. The cb-script parameter defines the file used for callback and enables negotiation with the callback server. Callback is available in combination with Radius Server authentication. When a registered user calls the ACS , it will disconnect the user, then call the user back. The following three parameters must be configured in the Radius Server: attribute Service_type(6): Callback Framed; attribute Framed_Protocol(7): PPP; attribute Callback_Number(19): the dial number (example: 50903300). Note: This parameter is inactive by default. To activate, uncomment the parameter and set the desired value.	null

Table 8.4: Dial-in specific parameters for the pslave.conf

Profile Configuration

Parameter	Description	Factory Configuration
all.pppopt	<i>all.pppopt</i> PPP options when user has already been authenticated. Note: This parameter is inactive by default. To activate, uncomment the parameter and set the desired value.	null
all.protocol	For the Dial-in configuration, the available protocols are <i>ppp</i> , <i>ppp_only</i> , <i>slip</i> , and <i>cslip</i> .	ppp
s32.tty	See the <i>s1.tty</i> entry in the CAS section. Note: This parameter is inactive by default. To activate, uncomment the parameter.	disabled

Table 8.4: Dial-in specific parameters for the *pslave.conf*

pslave.conf Bidirectional Telnet parameters

Bidirectional Telnet protocol or “Dynamic Mode” supports both “socket_server” connection (CAS) and “login” (TS) profiles. Both connection protocols are supported on one port, however, connections cannot be opened simultaneously.

ACS accepts the incoming TCP connection directed to a serial port as a socket_server connection. When the serial port is configured for “login”, the TCP connection is refused.

The “login” mode allows the administrator to build custom menus using the “menush_cfg” MenuShell Configuration Utility. When the attached terminal is powered on and the keyboard’s [Enter] key is pressed, a login banner and a login prompt is displayed.

If the user does not login within a configurable time frame, the serial port returns to an idle state.

Profile Configuration

The following parameters are specific to the Bidirectional Telnet in the `/etc/portslave/pslave.conf` file.

Parameter	Description	Example
sxx.protocol	The connection protocol for the specified serial port.	s1.protocol bidirect
sxx.authtype	The authentication method configured for the serial port.	s1.authtype local
sxx.logintimeout	The time (in seconds) for the serial port to return to idle state, if the user does not login.	s1.logintimeout 60
sxx.sh	The shell command used to present a menu to the user.	s1.sh /bin/menush

“xx” represents the serial port number being configured.

Table 8.5: Bidirectional Telnet specific parameters for `pslave.conf`

See ‘CAS specific parameters for the `pslave.conf`’ on page 299, and ‘TS specific parameters for the `pslave.conf` file’ on page 309 for the respective parameters.

To configure Bidirectional Telnet

CLI Method

Follow the below steps to configure Bidirectional Telnet protocol.

Step 1 - Open the CLI interface by issuing the command:

```
# CLI
```

Step 2 - Activate bidirectional Telnet

```
cli> config physicalports <'all' or range/list[1-4]> general protocol  
<protocolname>
```

Step 3 - To specify a login timeout

```
cli> config physicalports <'all' or range/list[1-4]> access logintimeout  
<login timeout in seconds>
```

Profile Configuration

Step 4 - Save the configuration.

```
cli> config savetoflash
```

Step 5 - Exit the CLI mode.

To exit the CLI mode and return to ACS's shell, type the following command:

```
cli> quit
```

To configure a menu shell

Enter the following command at the prompt.

```
[root@CAS /]# menush_cfg
```

The following configuration utility is displayed allowing you to configure a menu shell for the user.

```
-----  
MenuShell Configuration Utility
```

```
-----
```

Please choose from one of the following options:

1. Define Menu Title
2. Add Menu Option
3. Delete Menu Option
4. List Current Menu Settings
5. Save Configuration to Flash
6. Quit

Using the CLI interface to configure common parameters

You can configure some of the physical port parameters that were presented in the previous pages, using the CLI interface.

General State Parameters:

General configurations are under the menu:

```
cli>config physicalports <'all' or range/list [1-4]> general
```

Under this menu you can configure the following parameters:

- alias - To configure an alias to a server connected to the serial port.
- datasize - This parameter configures the number of bits per character. Valid values are: 5-8.
- flow - Set the flow control. Valid values are: *none*, *hard* for hardware and *soft* for software.

Profile Configuration

- parity - To configure the parity. Valid values are: *none*, *even* and *odd*.
- protocol - This parameter configures the protocol that will be used to connect to the ports. Valid values are: *bidirectionaltelnet*, *consoleraw*, *cslip*, *ppp*, *slip*, *telnet*, *consolessh*, *local*, *pppnoauth*, *shv1*, *consoletelnet*, *pm*, *rawsocket*, *shv2*.
- speed - Configure the serial port speed. Valid values are:
300 1200 2400 4800 9600 14400 19200 28800
38400 57600 76800 115200 230400 460800 921600
- stopbits - This parameter configures the number of stop bits.
Valid values are: *1* and *2*.

Other State Parameters:

Other state configurations are under the menu:

```
cli>config physicalports <'all' or range/list [1-4]> other
```

Under this menu you can configure the following parameters:

- authbio - Configure if an AlterPath Bio authentication scanner is used.
- banner - This parameters sets the banner that will be issued when the user connects to the port. Strings must be entered between "" (double quotes).
- breakinterval - To set break interval in milliseconds (ms).
- breaksequence - To set the break sequence. Usually a character sequence, ~break (Ctrl-b)
- host - IP address of the device you are connecting to.
- idletimeout - This parameter configures idle time in minutes.
- portip - To configure an ip alias to the serial port.
- sttyoptions - To configure stty parameters.
- tcpkeepalive - To configure pool interval in milliseconds (ms).
- tepport - To configure socket port number. Four digit values are valid for this parameter. Eg.: 7001.
- terminaltype - The terminal type when using a TS profile for connecting to a host system.
- winems - Enables/Disables windows EMS.

8.2 Examples for configuration testing

The following three examples are just given to test a configuration. The steps should be followed after configuring the ACS .

Console Access Server

With the ACS set up as a CAS you can access a server connected to the ACS through the server's serial console port from a workstation on the LAN or WAN. There is no authentication by default, but the system can be configured for authentication to be performed by a Radius server, a TacacsPlus server, or even by a local database. Either Telnet or SSH can be used.

See [Appendix A - New User Background Information](#) for more information about SSH. This Chapter contains all the necessary information to configure a fully-functional CAS environment. Consult the tables above and configure the necessary parameters for the `/etc/portslave/pslave.conf` file according to your environment.

An example of a CAS environment is shown in the following figure. This configuration example has local authentication, an Ethernet interface provided by a router, and serially-connected workstations

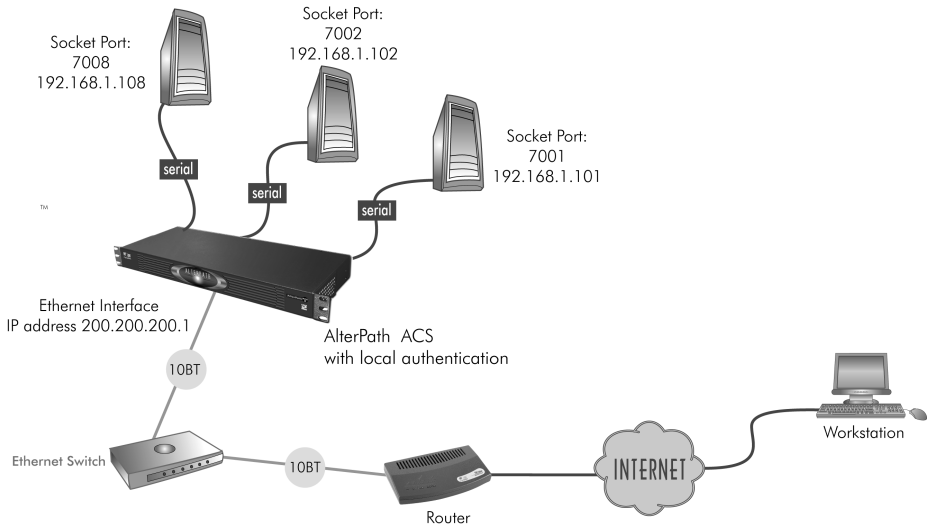


Figure 8.1 - Console Access Server diagram

The following diagram, shows additional scenarios for the ACS: both remote and local authentication, data buffering, and remote access.

Profile Configuration

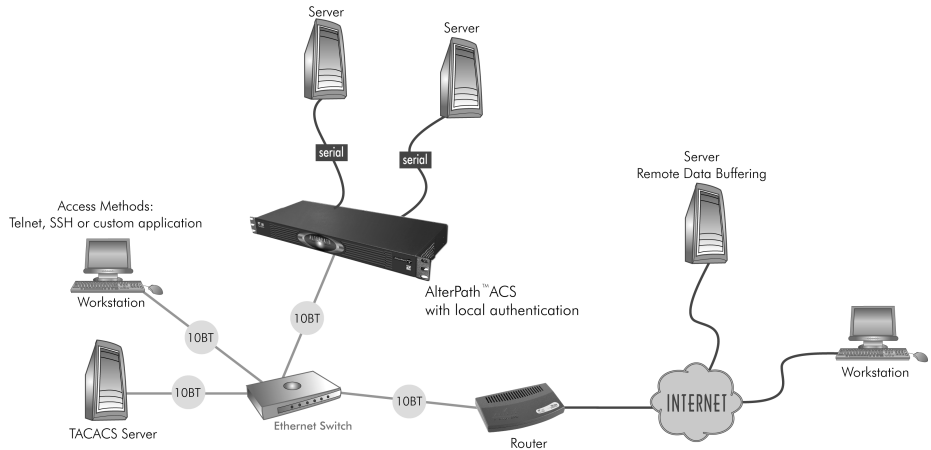


Figure 8.2 - CAS diagram with various authentication methods

As shown in the above figure, our “CAS with local authentication” scenario has either Telnet or SSH (a secure shell session) being used. After configuring the serial ports as described in this chapter, the following step-by-step check list can be used to test the configuration.

Step 1 - Create a new user.

Run the `adduser <username>` to create a new user in the local database. Create a password for this user by running `passwd <username>`.

Step 2 - Confirm physical connection.

Make sure that the physical connection between the ACS and the servers is correct. A cross cable (not the modem cable provided with the product) should be used. Please see [Appendix C - Cabling and Hardware Information](#) for pin-out diagrams.

Step 3 - Confirm that server is set to same parameters as the ACS.

The ACS has been set for communication at 9600 bps, 8N1. The server must also be configured to communicate on the serial console port with the same parameters.

Step 4 - Confirm routing.

Also make sure that the computer is configured to route console data to its serial console port (Console Redirection).

Telnet to the server connected to port 1.

Profile Configuration

From a server on the LAN (not from the console), try to Telnet to the server connected to the first port of the ACS using the following command:

```
# telnet 200.200.200.1 7001
```

For both Telnet and SSH sessions, the servers can be reached by either:

1. Ethernet IP of the ACS and assigned socket port.

or

2. Individual IP assigned to each port.

If everything is configured correctly, a Telnet session should open on the server connected to port 1. If not, check the configuration, follow the steps above again, and check the troubleshooting appendix.

Step 5 - Activate the changes.

Now continue on [“Activate the changes.” on page 101](#) through [“Save the changes.” on page 102](#) listed in [Chapter 4, “Network”](#).

NOTE: *It is possible to access the serial ports from Microsoft stations using some off-the-shelf packages. Although Cyclades is not liable for those packages, successful tests were done using at least one of them. From the application’s viewpoint running on a Microsoft station, the remote serial port works like a regular COM port. All the I/O with the serial device attached to the ACS is done through socket connections opened by these packages and a COM port is emulated to the application.*

Terminal Server

The ACS provides features for out-of-band management via the configuration of terminal ports. All ports can be configured as terminal ports. This allows a terminal user to access a server on the LAN. The terminal can be either a dumb terminal or a terminal emulation program on a PC.

Profile Configuration

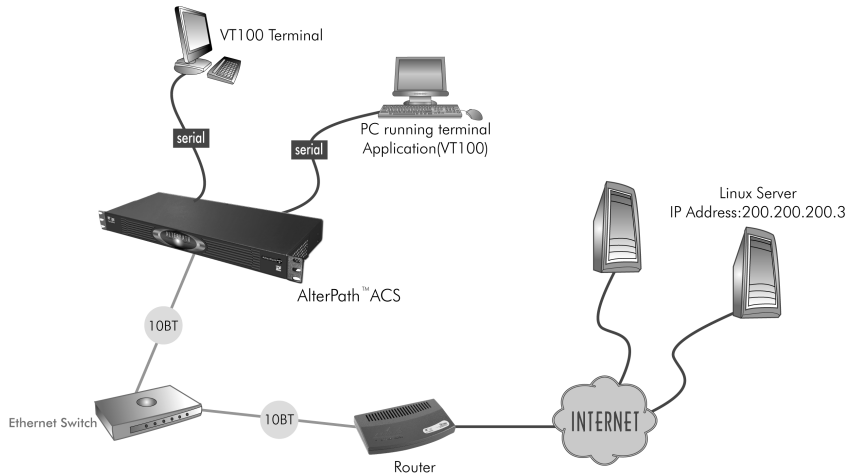


Figure 8.3 - Terminal Server diagram

No authentication is used in the example shown above and rlogin is chosen as the protocol. After configuring the serial ports as described in this chapter, the following step-by-step check list can be used to test the configuration.

Step 1 - Create a new user.

Since authentication was set to none, the ACS will not authenticate the user. However, the Linux Server receiving the connection will. Create a new user on the server called test and provide him with the password test.

Step 2 - Confirm that the server is reachable.

From the console, ping 200.200.200.3 to make sure the server is reachable.

Step 3 - Check physical connections.

Make sure that the physical connection between the ACS and the terminals is correct. A cross cable (not the modem cable provided with the product) should be used. Please see the [Appendix C - Cabling and Hardware Information](#) for pin-out diagrams.

Step 4 - Confirm that terminals are set to same parameters as the ACS .

The ACS has been set for communication at 9600 bps, 8N1. The terminals must also be configured with the same parameters.

Step 5 - Log onto server with new username and password.

From a terminal connected to the ACS , try to login to the server using the username and password configured in step one.

Profile Configuration

Step 6 - Activate changes.

Now continue on “Activate the changes.” on page 101 through “Save the changes.” on page 102 listed in Chapter 4, “Network”.

Dial-in Access

The ACS can be configured to accommodate out-of-band management. Ports can be configured on the ACS to allow a modem user to access the LAN. Radius authentication is used in this example and ppp is chosen as the protocol on the serial (dial-up) lines. Cyclades recommends that a maximum of two ports be configured for this option.

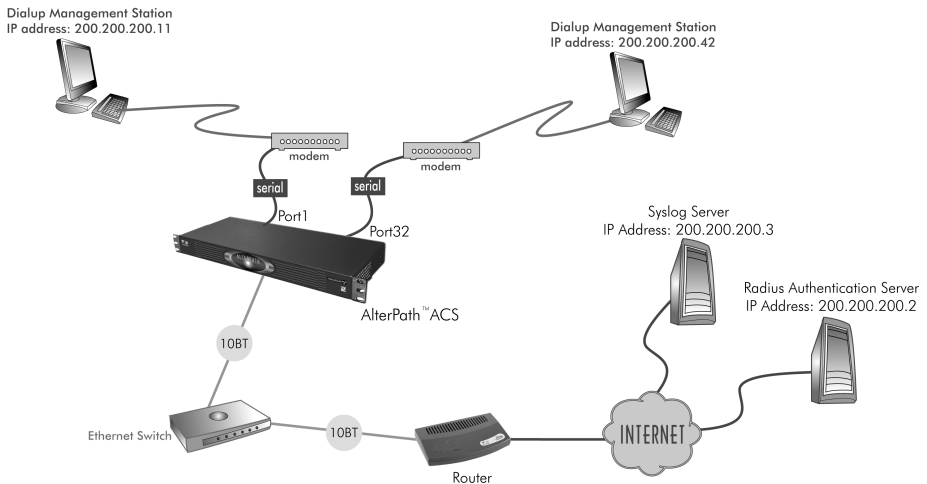


Figure 8.4 - Ports configured for dial-in access

After configuring the serial ports as described in this Chapter, the following step-by-step check list can be used to test the configuration.

Step 1 - Create a new user.

Since Radius authentication was chosen, create a new user on the Radius authentication server called test and provide them with the password test.

Step 2 - Confirm that the Radius server is reachable.

From the console, ping 200.200.200.2 to make sure the Radius authentication server is reachable.

Step 3 - Confirm physical connections.

Profile Configuration

Make sure that the physical connection between the ACS and the modems is correct. The modem cable provided with the product should be used. Please see [Appendix C - Cabling and Hardware Information](#) for pinout diagrams.

Step 4 - Confirm modem settings.

The ACS has been set for communication at 57600 bps, 8N1. The modems should be programmed to operate at the same speed on the DTE interface.

Step 5 - Confirm routing.

Also make sure that the computer is configured to route console data to the serial console port.

Step 6 - Perform a test dial-in.

Try to dial in to the ACS from a remote computer using the username and password configured in step one. The computer dialing in must be configured to receive its IP address from the remote access server (the ACS in this case) and to use PAP authentication.

Step 7 - Activate changes.

Now continue on [“Activate the changes.” on page 101](#) through [“Save the changes.” on page 102](#) listed in [Chapter 4, “Network”](#).

Profile Configuration

Chapter 9

Additional Features and Applications

This chapter covers special features or applications that does not fit into any of the previous chapters. The following features will be shown in this chapter:

- [Windows 2003 Server Management](#)
- [IPMI Configuration](#)
- [Line Printer Daemon](#)
- [CAS Port Pool](#)
- [Billing](#)

9.1 Windows 2003 Server Management

Emergency Management Services (EMS) is a new feature in the Windows 2003 Server that allows out-of-band remote management and system recovery tasks. All Emergency Management Services output is accessible using a terminal emulator connected to the server serial port. Besides the normal character mode output sent to the serial console, Windows also sends xml tags. Those tags can be captured and processed by the ACS so that the administrator can automate the actions to be taken.

You can manage the server through the Special Administration Console (SAC), which is the console when connected directly to the Windows Server through Telnet or SSH session.

How it works

To manage a Windows 2003 server it is necessary to enable the EMS (Emergency Management Services) service using the following syntax:

```
bootcfg /ems [EDIT|OFF|ON] [/s [computer] /u [[domain\]user] /p password [/baud baud_rate] [/port communications_port] /id line_number
```

Where:

Parameters:

- *EDIT* - Allows changes to port and baud rate settings by changing the redirect=COMx setting in the [bootloader] section. The value of COMx is set to the value of the /port.

Additional Features and Applications

- *OFF* - Disables output to a remote computer. Removes the `/redirect` switch from the specified `line_number` and the `redirect=comX` setting from the [boot loader] section.
- *ON* - Enables remote output for the specified `line_number`. Adds a `/redirect` switch to the specified `line_number` and a `redirect=comX` setting to the [boot loader] section. The value of `comX` is set by the `/port`.

Switches:

- */ems* - Enables the user to add or change the settings for redirection of the EMS console to a remote computer. By enabling EMS, you add a "redirect=Port#" line to the [boot loader] section of the BOOT.INI file and a `/redirect` switch to the specified operating system entry line. The EMS feature is enabled only on servers.
- */baud baud_rate* - Specifies the baud rate to be used for redirection. Do not use if remotely administered output is being disabled. Valid values are: 9600, 19200, 38400, 57600, 115200
- */id line_number* - Specifies the operating system entry line number in the [operating systems] section of the Boot.ini file to which the operating system load options are added. The first line after the [operating systems] section header is 1.
- */p password* - Specifies the password of the user account that is specified in `/u`.
- */port communications_port* - Specifies the COM port to be used for redirection. Do not use if remotely administered output is being disabled.
BIOSSET get BIOS settings to determine port
COM1
COM2
COM3
COM4
- */s computer* - Specifies the name or IP address of a remote computer (do not use backslashes). The default is the local computer.
- */u [[domain/]user]* - Runs the command with the account permissions of the user specified by `User` or `Domain\User`. The default is the permissions of the current logged on user on the computer issuing the command.

With the EMS service enabled in the Windows machine, just configure the ACS as CAS profile to manage the Windows 2003 server.

- Windows sends xml tags in the following situations:
- During Windows installation, it sends `<channel-switch>` with the setup logs.
- During boot, it sends the `<machine-info>` information.
- When switching channels, it sends the `<channel-switch>` information.
- During system crash, it sends the `<BP>` to indicate BreakPoint.

Additional Features and Applications

The <machine-info> tag is emitted once by Windows Server during its system boot sequence. This tag is also emitted as part of the <BP> tag. The following elements are included in <machine-info> tag:

Element	Description
<guid>	It is the GUID that uniquely identifies the server platform. Normally, this is an SMBIOS provided identification. If no such value is available, all 0's GUID string is used (see sample encoding below).
<name>	Is the system name.
<os-build-number>	Is a numeric string that identifies a successive Windows Build.
<os-product>	Is the name of the Windows Server 2003 product currently running on this server. It is one of the following: <ul style="list-style-type: none">• Windows Server 2003 Datacenter Edition• Windows Server 2003 Embedded• Windows Server 2003 Enterprise Edition• Windows Server 2003
<os-service-pack>	Is an alphanumeric string that identifies the most up-to-date service pack installed. If none installed, the string is None.
<os-version>	Is the numeric identification of the Windows version currently running.
<processor-architecture>	Is either x86 or IA64, designating the two processor architectures currently supported by Windows Server 2003.

Table 9.1: machine info tag

A sample encoding of this tag follows:

```
<?xml>
<machine-info>
<name>NTHEAD-800I-1</name>
<guid>00000000-0000-0000-0000-000000000000</guid>
<processor-architecture>x86</processor-architecture>
<os-version>5.2</os-version>
<os-build-number>3735</os-build-number>
<os-product>Windows Server 2003 Enterprise Edition</os-product>
<os-service-pack>None</os-service-pack>
</machine-info>
```

File Description 9.1: Machine info sample tag

Additional Features and Applications

The console environment provided by the serial port is called Special Administration Console (SAC). In the SAC command line, each time we enter the “cmd” command we create a channel. A channel is the “Command Prompt” environment, where you can enter the Command Prompt commands (dir, cd, edit, del, copy, etc). We can switch back and forth between channel(s) and SAC by pressing Esc Tab keys. We can create up to 9 channels, i.e., up to 9 Command Prompt sessions. Whenever we switch channels, the <channel-switch> tag is sent. The following elements are included in the <channel-switch> tag:

Element	Description
<application-type>	<p>Is a hexadecimal GUID signifying the application or tool that is running on the Windows Server platform and communicating via this active channel. It is to be used to discern the different interaction modes. During the Windows GUI-mode Setup phase, the following GUIDs identify the specific types of data being emitted:</p> <ol style="list-style-type: none"> 1) Debug Log (5ED3BAC7-A2F9-4E45-9875-B259EA3F291F) 2) Error Log (773D2759-19B8-4D6E-8045-26BF38402252) 3) Action Log (D37C67BA-89E7-44BA-AE5A-112C6806B0DD) <p>During nominal Windows Server operations, the following GUIDs can be expected:</p> <ol style="list-style-type: none"> 1) SAC (63D02270-8AA4-11D5-BCCF-806D6172696F) 2) CMD (63D02271-8AA4-11D5-BCCF-00B0D014A2D0) <p>The above are constant GUIDs and should not be confused with those provided via the <guid> tag below.</p>
<description>	<p>Is the user-friendly name of the active channel. For the GUI-Mode Setup tool they are:</p> <ul style="list-style-type: none"> Debug Log (Setup tracing log) Error Log (Setup errors log) Action Log (Setup actions log) <p>For the Windows Server, they are:</p> <ul style="list-style-type: none"> SAC (Special Administration Console) CMD (Command Prompt)

Table 9.2: Elements in the <channel-switch> tag

Additional Features and Applications

Element	Description
<guid>	<p>Is a hexadecimal GUID that identifies a specific instance of a channel. During a life-span of a Windows Server (between any two system boots), there is a total of 10 channels being allocated. Of those, one can be expected a GUID for each of the following channel types:</p> <ol style="list-style-type: none"> 1) GUI-Mode Setup Debug Log 2) GUI-Mode Setup Error Log 3) GUI-Mode Setup Action Log 4) SAC <p>The remaining GUIDs are of the CMD channel type. For example, during Windows setup, there are 3 GUIDs assigned to Setup, 1 to SAC and the remaining 6 to CMD. However, during normal Windows operations, there is 1 GUID assigned to SAC and the remaining 9 to CMD.</p> <p>These GUIDs are created a new for each instance of channels, and should not be confused with the constant GUIDs provided via the <application-type> tag above.</p>
<name>	<p>Is the system name of the active channel. For the GUI-mode Setup tool, they are the file names where the data is written:</p> <ol style="list-style-type: none"> 1) Debug Log (setuplog.txt) 2) Error Log (setuperr.log) 3) Action Log (setupact.log) <p>For Windows Server, they are:</p> <ol style="list-style-type: none"> 1) SAC (SAC) 2) CMD (Cmdnnnn), where nnnn indicates the corresponding channel number
<type>	<p>Is the type of data being emitted on the active channel. Currently, there are two types of data supported:</p> <ol style="list-style-type: none"> 1) Raw for the 3 GUI-Mode Setup channels 2) VT-UTF8 for the SAC and CMD channels

Table 9.2: Elements in the <channel-switch> tag

A sample encoding of the SAC channel tag follows:

```
<channel-switch>
<name>SAC</name>
<description>Special Administration Console</description>
<type>VT-UTF8</type>
<guid>1aee4cc0-cff3-11d6-9a3d-806e6f6e6963</guid>
<application-type>63d02270-8aa4-11d5-bccf-806d6172696f</application-type>
</channel-switch>
```

File Description 9.2: SAC channel tag example

A sample encoding of the CMD channel tag follows:

```
<channel-switch>
<name>Cmd0001</name>
<description>Command Prompt</description>
<type>VT-UTF8</type>
<guid>970438d1-12bb-11d7-8a92-505054503030</guid>
<application-type>63d02271-8aa4-11d5-bccf-00b0d014a2d0</application-type>
</channel-switch>
```

File Description 9.3: CMD channel tag example

A sample encoding of the GUI-Mode Setup Debug Log channel tag follows:

```
<channel-switch>
<name>setuplog.txt</name>
<description>Setup tracing log</description>
<type>Raw</type>
<guid>6f28e904-1298-11d7-b54e-806e6f6e6963</guid>
<application-type>5ed3bac7-a2f9-4e45-9875-b259ea3f291f</application-type>
</channel-switch>
```

File Description 9.4: GUI-Mode setup debug log channel tag example

Additional Features and Applications

The <BP> tag is emitted when the Windows Server system halts such that only elements of the kernel are the most recently operating logic.

Element	Description
<INSTANCE CLASSNAME=>	Is the type of break point. Currently, there is only one type emitted, i.e. "Blue Screen" which indicates the system was halted prematurely. It is represented by the CLASSNAME="BLUESCREEN" value.
<machine-info>	Is described above.
<PROPERTY NAME=>	Provides additional details, such as error code of the abnormal condition that caused the break point.

Table 9.3: <BP> tags description

A sample encoding of the Break Point tag follows:

```
<?xml>
<BP>
<INSTANCE CLASSNAME="BLUESCREEN">
<PROPERTY NAME="STOPCODE" TYPE="string"><VALUE>"0xE2"</VALUE>
</PROPERTY>
<machine-info>
<name>NTHEAD-800I-1</name>
<guid>00000000-0000-0000-0000-000000000000</guid>
<processor-architecture>x86</processor-architecture>
<os-version>5.2</os-version>
<os-build-number>3735</os-build-number>
<os-product>Windows Server 2003 Enterprise Edition</os-product>
<os-service-pack>None</os-service-pack>
</machine-info>
</INSTANCE>
</BP>
```

File Description 9.5: Break Point tag example

How to Configure

Some parameters need to be configured in the */etc/portslave/plslave.conf* to configure this feature. To enable it, follow the instructions below.

VI mode - Parameters Involved and Passed Values

There is a new parameter in */etc/portslave/pslave.conf* to monitor for xml data. For instance, for *ttyS1* we could configure:

```
s1.xml_monitor      1
```

When the *xml_monitor* is set, *cy_buffering* will search for xml packets coming from the serial port. When a complete xml packet is received, *cy_buffering* will send it to *syslog-ng*. In *syslog-ng.conf*, the following filters are available to filter the xml messages:

```
filter f_windows_bluescreen { facility(local<conf.DB_facility>) and
    level(info) and match("XML_MONITOR") and match("BLUESCREEN"); } ;
```

and

```
filter f_windows_boot { facility(local<conf.DB_facility>) and
    level(info) and match("XML_MONITOR") and
    not match("BLUESCREEN") and match("machine-info"); } ;
```

Once the desired message is filtered, we have to define which actions we would like to take. *Syslog-ng* will create macros that can give easy access for the administrators to access the xml information. If the administrator uses these macros, *syslog-ng* replaces the macros by the data received in the xml packet. For instance, the following table shows the macros that are available when filter *f_windows_bluescreen* is successful and the examples of values that can replace the macros:

Macro	Description	Value to replace macro
<code>\$<INSTANCE CLASSNAME=></code>	Reason for the break point. Currently there is only one type, BLUESCREEN.	BLUESCREEN
<code>\$<PROPERTY NAME=></code>	Additional details about break point.	STOPCODE
<code>\$<VALUE></code>	Additional details about break point.	0xE2
<code>\$<name></code>	Machine name	MY_WIN_SERVER
<code>\$<guid></code>	GUID that uniquely identifies this server. If no such value is available, all 0's GUID string is used.	4c4c4544-8e00-4410-8045-80c04f4c4c20
<code>\$<processor-architecture></code>	Processor architecture. It can be either x86 or IA64.	x86

Table 9.4: *f_windows_boot* macros

Additional Features and Applications

Macro	Description	Value to replace macro
\$<os-version>	Windows version.	5.2
\$<os-product>	Which Windows Server product. It can be: Windows Server 2003 Datacenter Edition, Windows Server 2003 Embedded, Windows Server 2003 Enterprise Edition or Windows Server 2003.	Windows Server 2003
\$<os-service-pack>	Alphanumeric string that identifies the most up-to-date service pack installed. If none installed, the string is None.	None
\$<tty>	ACS serial port tty or alias name.	S1.ttyS1

Table 9.4: f_windows_boot macros

For the *f_windows_boot*, the following macros are available:

Macro	Description	Value to replace macro
\$<name>	Machine name	MY_WIN_SERVER
\$<guid>	GUID that uniquely identifies this server. If no such value is available, all 0's GUID string is used.	4c4c4544-8e00-4410-8045-80c04f4c4c20
\$<processor-architecture>	Processor architecture. It can be either x86 or IA64.	x86
\$<os-version>	Windows version.	5.2
\$<os-build-number>	Numeric string that identifies a successive Windows Build.	3763

Table 9.5: f_windows_boot available macros

Macro	Description	Value to replace macro
<code>\$<os-product></code>	Which Windows Server product. It can be: Windows Server 2003 Datacenter Edition, Windows Server 2003 Embedded, Windows Server 2003 Enterprise Edition or Windows Server 2003.	Windows Server 2003
<code>\$<os-service-pack></code>	Alphanumeric string that identifies the most up-to-date service pack installed. If none installed, the string is None.	None
<code>\$<tty></code>	ACS serial port tty or alias name.	S2.server_connected_to_serial2

Table 9.5: `f_windows_boot` available macros

As an example on how we can use above macros, let's say we want the ACS to send an e-mail to the administrator whenever a crash happens. The e-mail should have the information about the reason of the crash, machine name and windows version information. So we just have to create the following entry in `syslog-ng.conf`:

```
destination win2003mail { pipe("/dev/cyc_alarm"
    template("sendmail -t administrator@cyclades.com -f acs -s \"\
Server $<name> crashed\" -m \"\
Break Point: $<INSTANCE CLASSNAME=> $<PROPERTY NAME=> $<VALUE>\
Server: $<name>\
OS: $<os-product>\
Build: $<os-build-number> Version: $<os-version>\
Service Pack: $<os-service-pack>\
Processor: $<processor-architecture>\
Server GUID: $<guid>\
ACS port: $<tty>\
\' -h mail.cyclades.com "));};
```

File Description 9.6: Send e-mail when crashing example

And the following entry will activate the `win2003mail` action when the `f_windows_bluescreen` filter is successful:

```
source src { unix-stream("/dev/log"); };

log { source(src); filter(f_windows_bluescreen); destination(win2003mail); };
```

Additional Features and Applications

Server Commands

The following are the different commands and their descriptions that can be sent to the server.

Command Set	Description
ch	Channel management commands.
ch -ci <#>	Close a channel by its number.
cmd	Create a Command Prompt channel.
ch -si <#>	Switch to another channel (from Channel 0).
d	Dump the current kernel log.
f	Toggles the information output by the t-list command, which shows processes only, or shows processes and threads.
i	List all IP network numbers and their IP addresses.
i <#> <ip> <subnet> <gateway>	Set network interface number, IP address, subnet and gateway.
id	Display the computer identification information.
k <pid>	Kill the given process.
l <pid>	Lower the priority of a process to the lowest possible.
lock	Lock access to Command Prompt channels. You must provide valid logon credentials to unlock a channel.
m <pid> <MB-allow>	Limit the memory usage of a process to <MB-allow>.
p	Causes t-list command output to pause after displaying one full screen of information.
r <pid>	Raise the priority of a process by one.
s	Display the current time and date (24 hour clock used).
mm/dd/yyyy hh:mm	Set the current time and date (24 hour clock used).
t	Tlist.
crashdump	Crash the system. Crash dump must be enabled.
restart	Restart the system immediately.

Table 9.6: Server Commands

Additional Features and Applications

Command Set	Description
shutdown	Shut down the system immediately.

Table 9.6: Server Commands

9.2 IPMI Configuration

Intelligent Platform Management Interface (IPMI) is a service-level protocol and implementation that provides intelligent management to servers (and other system types in the future). IPMI allows server control and monitoring by means of a small "always-on" computer located on the server's motherboard called the Baseboard Management Controller (BMC) that can respond to IPMI commands out-of-band.

The ACS has an implementation of IPMI over LAN which allows the unit to control power (i.e. power cycle) on these servers and also to obtain sensor readings such as CPU temperature(s), fan speed(s) etc.

The IPMI support in the ACS extends it's functionality so that the unit can be used for serial console access to the servers and also provide power control through the IPMI protocol.

How it works

This program lets you manage Intelligent Platform Management Interface (IPMI) functions of either the local system or of a remote system, using IPMI V1.5. These functions include printing FRU information, LAN configuration, sensor readings, and remote chassis power control.

You can configure IPMI using the following methods:

- `ipmitool` – IPMI Configuration
- CLI – IPMI [CLI]

IPMI [*ipmitool*]

Utility for controlling IPMI-enabled devices.

Name

`ipmitool`

Usage

```
ipmitool [-hvV] [-I interface -H hostname [-L privlvl] [-A authType] [-P password] <expression>
```

Options

Use the following options to configure IPMI.

Table 9-7: Options for ipmitool

Option	Description	Valid Values
-h	Get basic usage help from the command line.	N/A
-v	Increase verbose output level. This option may be specified multiple times to increase the level of debug output.	N/A
-V	Display version information.	N/A
-I <interface>	Selects IPMI interface to use.	lan lanplus open
-H <address>	Remote server address, can be IP address or hostname. This option is required for the LAN interface connection.	N/A
-U <username>	Remote username.	Default is NULL.
-L <privlvl>	Force session privilege level.	USER OPERATOR ADMIN. Default is USER
-A <authtype>	Force session authentication type.	PASSWORD MD5 MD2
-P <password>	Remote server password.	Valid password for specified username account.

Expressions

1.0 chassis

1.1 status

Returns information about the high-level status of the system chassis and main power subsystem

1.2 poh

Returns the Power-On Hours counter

1.3 identify <interval>

Additional Features and Applications

Controls the front panel identify light. Default is 15. Use 0 to turn off.

1.4 restart_cause

Queries the chassis for the cause of the last system restart

1.5 policy

Sets the chassis power policy in the event power failure

1.5.1 list – Return supported policies

1.5.2 always-on – Turn on when power is restored

1.5.3 previous – Return to previous state when power is restored

1.5.4 always-off – Stay off after power is restored

1.6 power

Performs a chassis control command to view and change the power state

1.6.1 status – Show current chassis power status

1.6.2 on – Power up chassis

1.6.3 off – Power down chassis into soft off

1.6.4 cycle – Provide power off interval of at least 1 second

1.6.5 reset – Perform a hard reset

1.7 sensor

1.7.1 list – Lists sensors and thresholds in a wide table format

IPMI [CLI]

You can configure IPMI using the **ipmi** keyword and the following attributes in CLI mode:

1.0 config – enter into configuration state

1.1 ipmi – configure IPMI devices

1.1.1 add <alias> – add a IPMI device serverIP
serverIP <n.n.n.n> – IP address of the device

authType <authentication options: md2, md5, none, password> – authentication type
privilege <user or operator or admin> – user access level
username <string> – user name used to access the device
password <string> – password used to access the device

1.1.2 edit <alias> – edit the IPMI device
serverIP <n.n.n.n> – IP address of the device
authType <authentication options: md2, md5, none, password> – authentication type
privilege <user or operator or admin> – user access level
username <string> – user name used to access the device
password <string> – password used to access the device

1.1.3 delete <alias> – delete the IPMI device

1.2 physicalports <port number(s)> – configure physical serial ports

1.2.1 powermanagement state disableIPMI – disable the IPMI menu

1.2.1.1 enableIPMI – to enable the IPMI menu
server <alias / list IPMI devices> – alias of the IPMI device
key <^(character)> – the hotkey used to access the IPMI menu.

The default IPMI hotkey is “^I”, where ^ stands for the Ctrl key on the keyboard. The hexadecimal code for the <Ctrl-I> default IPMI hotkey is the same as the keyboard’s <Tab> key. You can choose to change the default through the CLI command, cli>config>physicalports [port]>powermanagement>enableIPMI>key [value]

9.3 Line Printer Daemon

This feature implements the Unix Line Printer Daemon (LPD) in the ACS and can be used with local serial printers. It enables the ACS to receive network print requests and service them using locally attached Serial printers.

To configure the lpd you need to follow these steps:

Step 1 - Setup the serial port where the serial printer is connected.

Edit the `/etc/portslave/pslave.conf` file (PortSlave configuration) and set the protocol of the serial port as "lpd".

Example:

```
s2.protocol    lpd
```

Step 2 - Create the printer definition.

Edit the `/etc/printcap` file and configure the printer. The spool directory is created automatically by `cy_ras` process. Example:

```
#comment
# primary printer name and alias
# lp |lp2| serial printer on port ttyS2
#suppress header and/or banner page
# :sh:
#spool directory - the name is fixed as lp_ttySnn when nn is the
#serial port number
# :sd=/var/spool/lpd/lp_ttyS2:
#printer device
# :lp=/dev/ttyS2:
#log filename
# :lf=/var/log/lpd.log:
#set serial port speed as 115.200 bps
# :br115200:
lp|lp2| serial printer on port ttyS2:\
:sh: \
:sd=/var/spool/lpd/lp_ttyS2: \
:lp=/dev/ttyS2: \
:lf=/var/log/lpd.log:
```

File Description 9.7: /etc/printcap file

Step 3 - Enable the printer daemon.

Edit the file `/etc/lpd.sh` and change the option ENABLE to YES

Step 4 - Allow clients to use the service.

Additional Features and Applications

Edit the file `/etc/hosts.lpd` and include the hosts name that you allow to use the ACS printers.

NOTE: *(The `lpd` needs to translate the IP address of the request message to the host name, check your `resolv.conf` file).*

Step 5 - Restart the processes, use the command "runconf" and "daemon.sh".

Step 6 - Save the configuration in flash, use the command "saveconf".

In your Linux client machine type the following command to check the ACS configuration is OK:

```
# lpr -P lp@<ACS IP address> <file that you want printer> <enter>
```

9.4 CAS Port Pool

This feature is available for the ACS 2.1.4 onward. CAS Port Pooling allows you to access a free serial port from a pool in addition to the original feature where you could access a specific serial port. When you access a serial port through the pool the features sniff session and multiple sessions are not available. This feature is available for serial ports configured as CAS profile only.

You can define more than one pool of serial ports. Each serial port can only belong to ONE pool. The pool is uniquely identified by a four parameter scheme:

- protocol,
- pool_ipno,
- pool_alias, and
- pool_socket_port

The three new parameters: *pool_ipno*, *pool_alias*, and *pool_socket_port* have the same meaning as *ipno*, *alias*, and *socket_port* respectively. Ports belonging to the same pool MUST be configured with the same value in these fields.

It is strongly recommended that you configure the same values in all parameters related to authentication for all serial ports belonging to a pool. Some of the authentication parameters are *users*, *admin_users*, and *authtype*.

You can access the serial ports from a pool with the same commands you use today to access a specific serial port. You just need to use *pool_ipno*, *pool_alias*, or *pool_socket_port* instead *ipno*, *alias*, or *socket_port* respectively in the SSH/Telnet command.

When a connection request arrives using one of *pool_ipno*, *pool_alias*, or *pool_socket_port* the ACS will look for the first free serial port from the pool and that port will be assigned to connection. If there is no serial port free in the pool the connection is just dropped.

How to Configure it

The configuration for this feature is made directly in the */etc/portslave/pslave.conf* file. Don't forget to activate and save the configuration by issuing the commands *runconf* and *saveconf* respectively.

VI method

Following is an example of serial port pool configuration:

```
# Serial port pool: pool-1
#
s1.tty ttyS1
s1.protocol socket_server
s1.socket_port 7001 // TCP port # for specific allocation
s1.pool_socket_port 3000 // TCP port # for the pool
s1.ipno 10.0.0.1 // IP address for specific allocation
s1.pool_ipno 10.1.0.1 // IP address for the pool
s1.alias serial-1 // alias for specific allocation
s1.pool_alias pool-1 // alias for the pool
s2.tty ttyS2
s2.protocol socket_server
s2.socket_port 7002 // TCP port # for specific allocation
s2.pool_socket_port 3000 // TCP port # for the pool
s2.ipno 10.0.0.2 // IP address for specific allocation
s2.pool_ipno 10.1.0.1 // IP address for the pool
s2.alias serial-2 // alias for specific allocation
s2.pool_alias pool-1 // alias for the pool
#
# Serial port pool: pool-2
#
s3.tty ttyS3
s3.protocol socket_ssh
s3.socket_port 7003 // TCP port # for specific allocation
s3.pool_socket_port 4000 // TCP port # for the pool
s3.ipno 10.0.0.3 // IP address for specific allocation
s3.pool_ipno 10.2.0.1 // IP address for the pool
s3.alias serial-3 // alias for specific allocation
s3.pool_alias pool-2 // alias for the pool
s4.tty ttyS4
s4.protocol socket_ssh
s4.socket_port 7004 // TCP port # for specific allocation
s4.pool_socket_port 4000 // TCP port # for the pool
s4.ipno 10.0.0.4 // IP address for specific allocation
s4.pool_ipno 10.2.0.1 // IP address for the pool
s4.alias serial-4 // alias for specific allocation
s4.pool_alias pool-2 // alias for the pool
```

File Description 9.8: Part of the /etc/portslave/pslave.conf file

In the example above, there are two pools:

- pool-1 (identified by Protocol socket_server, TCP port #3000, IP 10.1.0.1, and alias pool-1)
- pool-2 (identified by Protocol socket_ssh, TCP port #4000, IP 10.2.0.1, and alias pool-2)

Additional Features and Applications

The serial ports ttyS1 and ttyS2 belong to the pool-1. The serial ports ttyS3 and ttyS4 belong to the pool-2.

You can access specifically serial port ttyS1 by using TCP port 7001, IP address 10.0.0.1 or alias serial-1. If the ttyS1 is being used by somebody else the connection will be dropped if the user is not a admin_user. Alternately, you can access ttyS1 through pool (if it's free) using TCP port 3000, IP 10.1.0.1 or alias pool-1. If it is not free ttyS2 will be automatically allocated. Additionally, if ttyS2 is not free, the connection will be dropped.

9.5 Billing

All ACS family of products can be used as an intermediate buffer to collect serial data (like billing tickets from a PBX), making them available for a posterior file transfer. Different ports can have simultaneous "billing sessions".

General Feature Description

ACS reads the serial port and saves the information to Ramdisk files, which is limited to the maximum number of records per file. After the files are closed, they are available for transfer at `/var/run/DB`, or an alternate path defined by the user in the `pslave.conf` file. See Table 8.2 on page 299 for additional details on billing file configuration.

How to configure it

The configuration for this feature is made in the `/etc/portslave/plsave.conf` file.

Billing parameters can be configured using the vi method and by using the wizard.

VI method - Passed Values and Involved Parameters

Open the `/etc/portslave/plsave.conf` file and configure the following parameters according to your application:

- `all.protocol - billing`

Data Buffering Section:

- `all.billing_records - 50`
- `all.billing_timeout - 60 min`
- `all.billing_eor - "\n"`

For detailed description about the parameters shown above, please see [Chapter 8, "Profile Configuration"](#).

NOTE: *All presented values above are going to implement the billing feature for ALL ports of the product. If the configuration for a specific port is required, all related parameters beginning with all must be changed to S.x, where x is the number of the port to be configured.*

Additional Features and Applications

How it works

Once the `cy_ras` program detects the protocol as “billing,” it starts the billing application. The billing application then opens the port (as configured in `pslave.conf`) and starts reading it. Records terminated by “`billing_eor` string” are expected to be received. The ACS doesn’t change the termination method, transferring the same sequence to the file. The name of the temporary file used to write these records is:

```
cycXXXXX-YYMMDD.hhmmss.tmp
```

where:

- XXXXX is the “hostname” or “alias”
- YYMMDD is the year/month/day
- hhmmss is the hour:min:sec

This name helps the user archive and browse their directory as the file can be chronologically listed, not based on its creation or modification times, but based on when its contents were recorded. Also, whenever “hostname” is not significant, the user can use the “alias” name (`s1.alias` in `pslave.conf`) to match their actual plant (like PABX-trunk9). The temporary file described above is closed and renamed to `cycXXXXX-YYMMDD.hhmmss.txt` and a new temporary file is opened when:

1. The maximum number of records specified by “`billing_records`” is reached;
2. The lifetime specified by “`billing_timeout`” finishes.

If no record is received within a file lifetime period, no file will be actually saved.

NOTE: *A zero-value for “`billing_records`” stops the application and a zero-value for “`billing_timeout`” means no timeout is desired and so the file will only be closed after “`billing_records`” are received.*

Disk Space Issue

Finally, it is important to note that there is a protection against disk space problems. If you configure flow control to “hardware” for the serial port (`all.flow = hard` in the `pslave.conf` file), the application monitors the available disk space and if it is less than 100 Kb, the serial interface deactivates “RTS” signal on the RS-232. “RTS” is reactivated once the disk free space is greater than 120 Kb.

Billing Wizard

This feature improves the billing application by using a script and automating the upload of the billing records files from the ACS to a remote server using FTP or SSH.

How to Configure

The *config_billing.sh* script is used to configure a serial port for billing protocol, and configure upload scripts using FTP or SSH. The *config_billing.sh* script configures the files */etc/billing_up.conf*, */etc/billing_crontab*, and */etc/crontab_files*.

To configure a port for billing

Step 1 - Execute the *config_billing.sh* and enter the parameters to be configured.

Usage: config_billing.sh [X] [options]

where:

X is the port number to be configured
[options] are:

- s speed
- d data size
- b stopbit
- p parity
- r billing records
- e billing EOR (this parameter must be on " ", like "\n")
- D billing dir
- S serverFarm
- t date
- T timeout
- i ip
- n netmask
- R route
- u upload

Any parameter that is not specified will remain unchanged. The following parameters are configured by default for billing.

Additional Features and Applications

sxx.authtype	none
sxx.protocol	billing
sxx.flow	none
sxx.dcd	0
sxx.sniff_mode	no

Select the `-u` option to execute the `billing_upload_files.sh` script. The script presents the following sequential menu where the upload options can be configured.

```
[root@CAS etc]# billing_upload_files.sh
Transfer Mode (ftp or scp) [ftp]:
Local Directory [/var/run/DB]:
Remote server IP [192.168.1.101]:
Remote directory [/var/billing]:
User [billing]:
Password [billing]:
Upload Interval in minutes []:
```

Instead of running the `-u` option, the `/etc/billing_up.conf` can be configured manually to change the parameters. If the parameters remains unchanged the default parameters are uploaded.

If the “`scp`” transfer mode is selected and there is no defined authentication, the script generates a key and uploads to the server. The key must be stored on the server with the appropriate configuration.

**Step 2 -
Execute `saveconf`**

Step 3 - Restart ACS to activate the options related to billing upload.

Appendix A

New User Background Information

This appendix has the objective to introduce new users with commands, file structure, processes, programs and other features used by the AlterPath ACS operating system. This appendix includes the following sections:

- [User and Passwords](#)
- [Who is logged in and what they are doing?](#)
- [Linux File Structure](#)
- [Basic File Manipulation](#)
- [The vi Editor](#)
- [The Routing Table](#)
- [Secure Shell Session](#)
- [The Process Table](#)
- [TS Menu Script](#)

A.1 User and Passwords

A username and password is necessary to log in to the ACS. The user “root” is predefined with a password “tslinux”. The password should be changed as soon as possible to avoid unauthorized access.

To change the password for the “root” , enter the following command.

```
# passwd
```

To create a regular user (without root privileges), enter the following command:

```
# adduser user_name
```

To change the password for a regular user, enter the following command.

```
# passwd user_name
```

To log out, type “logout” at the command prompt.

A regular user who wants to run the command `su -` to become a superuser needs to:

Step 1 - Make sure the group wheel is already created.

An administrator with root access would run the following command:

```
# addgroup wheel
```

In file */etc/group* there should be a line with at least the following:

```
wheel::zzz:
```

Step 2 - Belong to the group wheel.

An administrator with root access would edit */etc/group* file and insert the username at the end of the wheel line. For example, for user steve, the administrator would edit the line in file */etc/group*:

```
wheel::zzz:
```

to add "steve" at the end like this:

```
wheel::zzz:steve
```

A.2 Who is logged in and what they are doing

The command “w” displays information about the users currently on the machine, and their processes. It calls two commands: *w_ori* and *w_cas*. The *w_ori* is the new name of the original command “w” and the *w_cas* shows the CAS sessions information.

The header of *w_ori* shows, in this order: the current time, how long the system has been running, how many users are currently logged on (excluded the CAS users), and the system load averages for the past 1, 5, and 15 minutes.

The following entries are displayed for each user (excluded the CAS users): login name, the tty name, the remote host, login time, idle time, JCPU time (it is the time used by all processes attached to the tty), PCPU time (it is the time used by the current process, named in the “what” field), and the command line of their current process.

The header of *w_cas* shows how many CAS users are currently logged on. The following entries are displayed for each CAS user: login name, the tty name, the remote host and remote port, login time, the process ID and the command line of the current process.

A.3 Linux File Structure

The Linux file system is organized hierarchically, with the base (or root) directory represented by the symbol “/”. All folders and files are nested within each other below this base directory. The directories located just below the base directory are:

- */home* - Contains the work directories of system users.
- */bin* - Contains applications and utilities used during system initialization.
- */dev* - Contains files for devices and ports.
- */etc* - Contains configuration files specific to the operating system.

- */lib* - Contains shared libraries.
- */proc* - Contains process information.
- */mnt* - Contains information about mounted disks.
- */opt* - Location where packages not supplied with the operating system are stored.
- */tmp* - Location where temporary files are stored.
- */usr* - Contains most of the operating system files.

A.4 Basic File Manipulation

The basic file manipulation commands allow the user to copy, delete, and move files and create and delete directories.

<i>cp file_name destination</i>	Copies the file indicated by <i>file_name</i> to the path indicated by <i>destination</i> .
a) <code>cp text.txt /tmp</code>	a) Copies the file <code>text.txt</code> in the current directory to the <code>tmp</code> directory.
b) <code>cp /chap/robo.php ./excess.php</code>	b) Copies the file <code>robo.php</code> in the <code>chap</code> directory to the current directory and renames the copy <code>excess.php</code> .
<i>rm file_name</i>	Removes the file indicated by <i>file_name</i> .
<i>mv file_name destination</i>	Moves the file indicated by <i>file_name</i> to the path indicated by <i>destination</i> .
<i>mkdir directory_name</i>	Creates a directory named <i>directory_name</i> .
a) <code>mkdir spot</code>	a) creates the directory <code>spot</code> in the current directory.
b) <code>mkdir /tmp/snuggles</code>	b) creates the directory <code>snuggles</code> in the directory <code>tmp</code> .
<i>rmdir directory_name</i>	Removes the directory indicated by <i>directory_name</i> .

Other commands allow the user to change directories and see the contents of a directory.

<i>pwd</i>	Supplies the name of the current directory. While logged in, the user is always “in” a directory. The default initial directory is the user’s home directory: <i>/home/<username></i>
<i>ls [options] directory_name</i>	Lists the files and directories within <i>directory_name</i> . Some useful options are <code>-l</code> for more detailed output and <code>-a</code> which shows hidden system files.
<i>cd directory_name</i>	Changes the directory to the one specified.
<i>cat file_name</i>	Prints the contents of <i>file_name</i> to the screen.

Shortcuts:

- . (one dot) Represents the current directory.
- .. (two dots) Represents one directory above the current directory (i.e. one directory closer to the base directory).

A.5 The vi Editor

To edit a file using the vi editor, type:

```
vi file_name
```

Vi is a three-state line editor: it has a command mode, a line mode and an editing mode. If in doubt as to which mode you are in, press the <ESC> key which will bring you to the command mode.

Mode	What is done there	How to get there
Command mode	Navigation within the open file.	Press the <ESC> key.
Editing mode	Text editing.	See list of editing commands below.
Line mode	File saving, opening, etc. Exiting from vi.	From the command mode, type ":" (colon).

Table A.1: vi modes

When you enter the vi program, you are automatically in command mode. To navigate to the part of the file you wish to edit, use the following keys:

<i>h</i>	Moves the cursor to the left (left arrow).
<i>j</i>	Moves the cursor to the next line (down arrow).
<i>k</i>	Moves the cursor to the previous line (up arrow).
<i>l</i>	Moves the cursor to the right (right arrow).

Table A.2: vi navigation commands

Having arrived at the location where text should be changed, use these commands to modify the text (note commands “i” and “o” will move you into edit mode and everything typed will be taken literally until you press the <ESC> key to return to the command mode).

<i>i</i>	Inserts text before the cursor position (everything to the right of the cursor is shifted right).
<i>o</i>	Creates a new line below the current line and insert text (all lines are shifted down).
<i>dd</i>	Removes the entire current line.
<i>x</i>	Deletes the letter at the cursor position.

Table A.3: vi file modification commands

After you have finished modifying a file, enter line mode (by typing “:” from command mode) and use one of the following commands:

<i>w</i>	Saves the file (w is for write).
<i>wq</i>	Saves and closes the file (q is for quit).
<i>q!</i>	Closes the file without saving.
<i>w file</i>	Saves the file with the name <file>.
<i>e file</i>	Opens the file named <file>.

Table A.4: vi line mode commands

A.6 The Routing Table

The ACS has a static routing table that can be seen using the commands:

```
# route
```

or

```
# netstat -rn
```

The file `/etc/network/st_routes` is the ACS’s method for configuring static routes. Routes should be added to the file (which is a script run when the ACS is initialized) or at the prompt (for temporary routes) using the following syntax:

```
route [add|del] [-net|-host] target netmask nt_msk [gw gt_way] interf
```

- *[add/del]* - One of these tags must be present. Routes can be either added or deleted.
- *[-net/-host]* - Net is for routes to a network and -host is for routes to a single host.
- *target* - Target is the IP address of the destination host or network.
- *netmask* and *nt_msk* - The tag netmask and nt_mask are necessary only when subnetting is used, otherwise, a mask appropriate to the target is assumed. nt_msk must be specified in dot notation.
- *gw* and *gt_way* - Specifies a gateway, when applicable. gt_way is the IP address or hostname of the gateway.
- *interf* - The interface to use for this route. Must be specified if a gateway is not. When a gateway is specified, the operating system determines which interface is to be used.

A.7 Secure Shell Session

SSH is a command interface and protocol often used by network administrators to connect securely to a remote computer. SSH replaces its non-secure counterpart rsh and rlogin. There are two versions of the protocol, SSHv1 and SSHv2. The ACS offers both. The command to start an SSH client session from a UNIX workstation is:

```
ssh -t <user>@<hostname>
```

where

- *<user>* = *<username>*:ttySnn or
<username>:socket_port or
<username>:ip_addr or
<username>:alias

NOTE: “*alias*” is a physical port alias. It can be configured in the file *pslave.conf*.

An example:

```
username:                cycladesmycompany
ACS16 IP address:       192.168.160.1
host name:              acs16
servername for port 1:  file_server
```

ttyS1 is addressed by IP 10.0.0.1 or socket port 7001. The various ways to access the server connected to the port are:

```
ssh -t cyclades:ttyS1@acs16
ssh -t cyclades:7001@acs16
ssh -t cyclades:10.0.0.1@acs16
ssh -t cyclades:file_server@acs16
ssh -t -l cyclades:10.0.0.1 acs16
ssh -t -l cyclades:7001 acs16
```

For OpenSSH clients, version 4.1p1 or later SSHv2 is the default. In that case, the -1 flag is used for SSHv1.

```
# ssh -t cyclades:7001@acs16
```

```
# ssh -t -2 cyclades:7001@acs16
```

```
# ssh -t cyclades:7001@acs16
```

(openssh 4.1p1 or later - ACS version 2.1.0 or later -> SSHv2 will be used)

```
# ssh -t -1 cyclades:7001@acs16
```

(OpenSSH 4.1p1 or later - ACS version 2.1.0 or later -> SSHv1 will be used)

To log in to a port that does not require authentication, the username is not necessary:

```
ssh -t -2 :ttyS1@acs16
```

Note: In this case, the file sshd_config must be changed in the following way:

```
PermitRootLogin Yes
```

```
PermitEmptyPassword Yes
```

The Session Channel Break Extension

This feature was introduced in ACS version 2.1.3. It is a method of sending a break signal during a SSHv2 terminal session. The implementation is defined by “Session Channel Break Extension: draft-ietf-secsh-break-00.txt” (IETF Internet-Draft document).

In the previous versions of ACS there was one break length measured in milliseconds. The current version of ACS supports the parameter <all/Sx>.break_interval, which is used with all.break_sequence (<all/Sxx>.break_sequence). This has improved the SSH-break implementation.

The SSHv2-client receives a command (“<ssh escape char>B” or “<break_sequence>”, for example: “~break” and sends one “break request” to SSH-server. The SSH-server receives the “break request” and sends a break command to the serial port. The SSH client can then send the break duration (break interval) so the user can configure this value using the command line (“-B <break interval in milliseconds>”, for example: “ssh -l <user>:<port> <ACS IP Server > -B <breakinterval in milliseconds>”).

How it works in SSH Server (all.protocol is socket_ssh)

The serial driver accepts the parameter break interval in the break command. If the SSHv2, then the server accepts and treats the "break request" sent by the client. The "break request" defines the break-length in milliseconds. The server sends a break command with the break-length to the serial driver to perform the break in the serial port. If the parameter all.break_sequence is configured and the server finds the sequence in the data received from client, the server sends a break command with all.break_interval to serial driver.

How it works in SSH Client

The SSH client has an option "-B <break interval in milliseconds>", for example, "ssh -l <user>:<port> <ACS IP Server > -B <breakinterval in milliseconds>".

When the user types "<ssh-escape>B" (where ssh-escape is "~") or "<break_sequence>" the client sends a "break request" to ssh-server. When ACS calls the ssh-client automatically, it uses the parameter all.break_interval to calls the ssh-2 client.

Configuring the Session Channel Break Extension in SSH Server

Step 1 - Configure the parameter *break_interval*, and *break_sequence* in */etc/portslave/pslave.conf*.

This can be done by the admin using the vi editor.

For example,

```
all.break_interval      500
all.break_sequence     ~break
```

Step 2 - Enter the following commands.

```
#runconf
#saveconf
```

You can then get the kernel's attention by sending a BREAK by typing <ENTER> + the break sequence configured + the key corresponding to a given command (from SysRq). If you send an invalid command key, it will simply display the help (the SysRq HELP).

For example,

1 - Establish an SSH connection to the ACS console port.

```
ssh -l <user>:<socket_port> <ACS_TS_IP>
```

2 - You can get the kernel's attention by sending a BREAK signal.

```
<ENTER> + ~break
```

The Result will be:

```
SysRq : HELP : loglevel0-8 reBoot Crash tErM kill saK showMem Nice powerOff  
showPc unRaw Sync showTasks Unmount
```

or if you type for example,

```
<ENTER> + ~breakp
```

The Result will be:

```
SysRq : Show Regs
```

```
Pid: 0, comm:          swapper  
EIP: 0060: [<c010103b>] CPU: 0  
EIP is at default_idle+0x23/0x29  
EFLAGS: 00000246     Not tainted (2.6.10-1.771_FC2)  
EAX: 00000000 EBX: 00010809 ECX: de0f3000 EDX: 0baf3110  
ESI: 00099100 EDI: c03dc120 EBP: 00461007 DS: 007b ES: 007b  
CR0: 8005003b CR2: b7ff2000 CR3: 19b6a000 CR4: 000006d0  
[<c010108f>] cpu_idle+0x1f/0x34
```

A.8 The Process Table

The process table shows which processes are running. Type `ps -a` to see a table similar to the following.

PID	UID	VmSize	State	Command
1	root	592	S	/sbin/inetd
31	root	928	S	/sbin/inetd
32	root	584	S	/sbin/cy_ras
36	root	1148	S	/sbin/cy_wdt_led wdt led
154	root	808	R	/ps -a

Table A.5: Process Table

To restart the `cy_ras` process use its process ID or execute the command:

```
# runconf
```

This executes the *ps* command, searches for the *cy_ras* process id, then sends the signal hup to the process, all in one step. Never kill *cy_ras* with the signals -9 or SIGKILL.

A.9 TS Menu Script

The *ts_menu* script can be used to avoid typing long Telnet or SSH commands. It presents a short menu with the names of the servers connected to the serial ports of the ACS. The server is selected by its corresponding number. *ts_menu* must be executed from a local session: via console, Telnet, SSH, dumb terminal connected to a serial port, etc. Only ports configured for console access (protocols *socket_server*, *socket_ssh*, or *socket_server_ssh*) will be presented. To start having familiarity with this application, run *ts_menu -h*:

```
# ts_menu -h

USAGE: ts_menu options {<console port>}
-p           : Display Tcp port
-P           : Use the TCP port instead just IP
-i           : Display Local Ip assigned to the serial port
-u <name>    : Username to be used in ssh/telnet command
-U           : Always ask for an username
-e <[^]char> : Escape char used by telnet or ssh
-l[c]       : Sorted list ports (c option sort by console server) and exit
-auth       : Interactive authentication
-ro         : Read Only mode
-s          : Show sorted ports
<console port> : Connect direct to [console port]
```

Below is an example on how TS Menu can be used:

```
# ts_menu

Master and Slaves Console Server Connection Menu

1 TSJen800
2 test.Cyclades.com
3 az84.Cyclades.com
4 64.186.190.85
5 az85.Cyclades.com

Type 'q' to quit, a valid option [1-5], or anything else to refresh:
```

By selecting 1 in this example, the user will access the local serial ports on that ACS. If the user selects 2 through 5, remote serial ports will be accessed. This is used when there is clustering (one ACS master box and one or more ACS slave boxes).

If the user selects 1, the following screen is displayed:

Serial Console Server Connection Menu for your Master Terminal Server

```
1 ttyS1      2 ttyS2      3 s3alias
```

Type 'q' to quit, 'b' to return to previous menu, a valid option[1-3], or anything else to refresh:

Options 1 to 3 in this case are serial ports configured to work as a CAS profile. Serial port 3 is presented as an alias name (*s3alias*). When no name is configured in *pslave.conf*, ttyS<N> is used instead. Once the serial port is selected, the username and password for that port (in case there is a per-user access to the port and -U is passed as parameter) will be presented, and access is granted.

To access remote serial ports, the presentation will follow a similar approach to the one used for local serial ports.

The *ts_menu* script has the following line options:

-p : Displays Ethernet IP Address and TCP port instead of server names.

```
ACS: Serial Console Server Connection menu
```

```
1 209.81.55.79 7001  2 209.81.55.79 7002  3 209.81.55.79 7003
4 209.81.55.79 7004  5 209.81.55.79 7005  6 209.81.55.79 7006
```

Type 'q' to quit, a valid option [1-6], or anything else to refresh :

-i : Displays Local IP assigned to the serial port instead of server names.

```
ACS: Serial Console Server Connection menu
```

```
1 192.168.1.101    2 192.168.1.102    3 192.168.1.103  4 192.168.1.104
5 192.168.1.105    6 192.168.1.106
```

Type 'q' to quit, a valid option [1-6], or anything else to refresh :

-u <name> : Username to be used in the SSH/Telnet command. The default username is that used to log onto the ACS.

-h : Lists script options.

Appendix B

Upgrades and Troubleshooting

This appendix has the objective to cover the most common problems that users faces when using the ACS . This appendix will also show the necessary steps to upgrade the firmware of the ACS unit and how to correctly interpret the CPU LED status.

B.1 Upgrades

Users should upgrade the ACS whenever there is a bug fix or new features that they would like to have. Below are the six files added by Cyclades to the standard Linux files in the `/mnt/flash` directory when an upgrade is needed. They are:

- boot_alt - alternate boot code
- boot_conf - active boot code
- boot_ori - original boot code
- config.tgz - ACS configuration information
- zImage - Linux kernel image

The Upgrade Process

To upgrade the ACS , follow these steps:

Step 1 - Log in to the ACS as root.

Provide the root password if requested.

Step 2 - Go to the `/mnt/flash` directory using the following command:

```
cd /mnt/flash
```

Step 3 - FTP to the host where the new firmware is located.

Log in using your username and password. Go to the directory where the firmware is located. Select binary transfer and “get” the firmware file.

```
# ftp
```

```
ftp> open server
ftp> user admin
ftp> Password: adminpw
ftp> cd /tftpboot
ftp> bin
ftp> get zImage.134 zImage
ftp> quit
```

NOTE: *The destination file name in the /mnt/flash directory must be zImage. Example (hostname = server; directory = /tftpboot; username= admin; password = adminpw; firmware filename on that server = zImage.134).*

NOTE: *Due to space limitations, the new zImage file may not be downloaded with a different name, then renamed. The ACS searches for a file named zImage when booting and there is no room in flash for two zImage files.*

Step 4 - Verify zImage.

To make sure the downloaded file is not corrupted and to verify the zImage saved in flash run the following command:

```
md5sum /mnt/flash/zImage
```

The system responds with a message similar to the following:

```
5bcc7d9b3c61502b5c9269cbeed20317 /mnt/flash/zImage
```

Step 5 - Check the system's response against the ".md5" zImage text file on the tftp server.

For example, the zImage zvmppccs.1005_qa.acs-k26.md5 text file contains the following information:

```
5bcc7d9b3c61502b5c9269cbeed20317 /tftpboot/zvmppccs.1005_qa.acs-k26
```

If the alphanumeric string matches the downloaded file is not corrupted.

Step 6 - Issue the command reboot.

```
# reboot
```

Step 7 - Confirm that the new Linux kernel has taken over.

After rebooting, the new Linux kernel will take over. This can be confirmed by typing the following to see the Linux kernel version:

```
# cat /proc/version
```

CLI Method - Firmware Upgrade

To upgrade the ACS firmware follow the steps below:

Step 1 - Open the CLI interface by issuing the command:

```
# CLI
```

Step 2 - Upgrading the firmware.

All you need to know to upgrade the ACS's firmware is the remote IP address of the FTP server and the path of the image file in the remote server.

For the example given we will use:

- FTP Server: 192.168.100.111
- Path: */images/zImage*
- User: john
- Password: john1234

```
cli> administration upgradefw ftpsite 192.168.100.111 username john  
password john1234 filepathname /images/zImage checksum no
```

Step 3 - Return to the main menu by issuing the command

```
cli>return
```

Step 4 - Activate the configuration.

```
cli>config runconfig
```

Step 5 - Save the configuration.

```
cli> config savetoflash
```

Step 6 - Exiting the CLI mode.

To exit the CLI mode and return to ACS's shell, type the following command:

```
cli> quit
```

Step 7 - Reboot the unit (shell prompt).

To make the changes effective, reboot the unit by issuing the command (in the shell prompt):

```
#reboot
```

Step 8 - Testing the configuration (shell prompt).

To check if the version of the installed image, run the command:

```
# cat /proc/version
```

B.2 Troubleshooting

Flash Memory Loss

If the contents of flash memory are lost after an upgrade, please follow the instructions below to restore your system:

Step 1 - Turn the ACS OFF, then back ON.

Step 2 - Using the console, wait for the self test messages.

If you get no boot messages, verify that you have the correct setting, otherwise press “s” immediately after powering ON to skip an alternate boot code. ACS will boot using its original boot code.

Step 3 - During the self test, press <Esc> after the Ethernet test.

Testing Ethernet

Step 4 - When the Watch Dog Timer prompt appears, press <Enter>.

Watchdog timer ((A)ctive or (I)nactive) [I] :

Step 5 - Choose the option Network Boot when asked.

Firmware boot from ((F)lash or (N)etwork) [N] :

Step 6 - Select the TFTP option instead of BOOTP. The host must be running TFTP and the new zImage file must be located in the proper directory. For example, /tftpboot for Linux.

Boot type ((B)ootp, (T)ftp or Bot(H)) [H] :

Step 7 - Enter the filename of the zImage file on the host.

Boot File Name [zvmppccs.1004_qa.acs-k26] :

Step 8 - Enter the IP address of the Ethernet interface.

IP address assigned to Ethernet interface [192.168.48.11] :

Step 9 - Enter the IP address of the host where the new zImage file is located.

Server's IP address [192.168.49.127] :

Step 10 - Accept the default MAC address by pressing <Enter>.

MAC address assigned to Ethernet [00:60:2E:01:6B:61] :

Step 11 - When the “Fast Ethernet” prompt appears, press <Enter>.

Fast Ethernet ((A)uto Neg, 100 (B)tH, 100 Bt(F), 10 B(t)F, 10 Bt(H)) [A] :

ACS should begin to boot off the network and the new image will be downloaded and begin running in RAM. At this point, follow the upgrade process in section B.1 above to save the new zImage file into flash again.

NOTE: *Possible causes for the loss of flash memory may include: downloaded wrong zImage file, downloaded as ASCII instead of binary; problems with flash memory.*

If the ACS booted properly, the interfaces can be verified using `ifconfig` and `ping`. If `ping` does not work, check the routing table using the command `route`. Of course, all this should be tried after checking that the cables are connected correctly.

The file `/etc/config_files` contains a list of files that are affected by `saveconf` and `restoreconf` commands. At the command prompt issue the command `cat /etc/config_files` to see the list of files that are available in the flash and are loaded into the RAMDisk at the boot time.

IMPORTANT! *If any of the files listed in `/etc/config_files` is modified, the ACS administrator must execute the command `saveconf` before rebooting the ACS or the changes will be lost. If a file is created (or a filename altered), its name must be added to this file before executing `saveconf` and rebooting.*

IMPORTANT! *Cyclades Technical Support is always ready to help with any configuration problems. Before calling, execute the command*

```
# cat /proc/version
```

and note the Linux version and ACS version written to the screen. This will speed the resolution of most problems.

Hardware Test

A hardware test called `tstest` is included with the ACS firmware. It is a menu-driven program, run by typing `tstest` at the command prompt. The various options are described below. Note that the ACS should not be tested while in use as the test will inactivate all ports. You should inactivate all processes that may use the serial ports: `inetd`, `sshd`, `cy_ras`, and `cy_buffering`. Following are the hardware test steps:

Step 1 - signal_ras stop.

Step 2 - Perform all hardware tests needed.

Step 3 - signal_ras start.

Port Test

Either a cross cable or a loop-back connector is necessary for this test. Their pinout diagrams are supplied in [Appendix C - Cabling and Hardware Information](#). Connect the loop-back connector to the modem cable and then connect the modem cable to the port to be tested (or connect a crossover cable between two ports to be tested).

When *tstest* senses the presence of the cable or connector, the following information is displayed on your screen.

```
HW Test/Linux
```

```
This tool is for internal use ONLY!
```

```
It should not be used if the serial port is  
configured and/or running.
```

```
Press any key to continue or <ESC> to cancel ==>
```

To start the Port test,

Step 1 - Select option 2 "Test Asynchronous Ports"

Step 2 - Enter the media type [(0) RS232 (1) RS485-FULL] :

For example, 0 for RS232

When the test runs with a cable or connector without the DSR signal (see the pinout diagram for the cable or connector being used), errors will appear in the DSR column. This does not indicate a problem with the port.

Port Conversation

This test sends and receives data on the selected port. One way to run this test is to place a loop-back connector on the port to be tested and begin. Enter the number of the port and a baud rate (9600 is a typical value). Type some letters, and if the letters appear on the screen, the port is working. If the letters do not appear on the screen (which also occurs if the loop-back connector is removed), the port is not functioning correctly.

A second method that can be used to test the port is to connect it to a modem with a straight cable. Begin the test and type “at”. The modem should respond with “OK”, which will appear on the screen. Other commands can be sent to the modem or to any other serial device. Press Ctrl-Q to exit the terminal emulation test.

Test Signals Manually

This test confirms that signals are being sent and received on the selected port. Neither the loop-back connector nor the cross cable are necessary. Enter the number of the port to be tested and begin the test.

State	DTR	DCD	DSR	RTS	CTS
ON	X			X	
	↓			↓	
OFF		X	X		X

Figure B.1 - Initial Test

First, type Ctrl-D to see the X in the DTR column move position, then type Ctrl-R to see the X in the RTS column change position. If each of the Xs moves in response to its command, the signals are being sent. Another method to test the signals is to use a loop-back connector. Enter the number of the port with the loopback connector and start the test. In this case, when Ctrl-D is typed, the Xs in the first three columns will move as shown below.

State	DTR	DCD	DSR	RTS	CTS
ON	X	X	X	X	
	↓	↓	↓		
OFF					X

Figure B.2 - Second screen, showing changed positions

This is because the test is receiving the DTR signal sent through the DCD and DSR pins. When Ctrl-R is typed, the Xs in the RTS and CTS columns should move together. If the Xs change position as described, the signals are being sent and received correctly.

Single User Mode

The ACS has a single user mode used when:

- The name or password of the user with root privileges is lost or forgotten,
- After an upgrade or downgrade which leaves the ACS unstable,
- After a configuration change which leaves the ACS inoperative or unstable.

Type the word “single” (with a blank space before the word) during boot using a console connection. This cannot be done using a Telnet or other remote connection. The initial output of the boot process is shown below.

```
Entry Point = 0x00002120
loaded at: 00002120 0000D370
relocated to: 00300020 0030B270
board data at: 003052C8 0030537C
relocated to: 002FF120 002FF1D4
zimage at: 00008100 0006827E
relocated to: 00DB7000 00E1717E
initrd at: 0006827E 0024F814
relocated to: 00E18000 00FFF596
avail ram: 0030B270 00E18000
Linux/PPC load: root=/dev/ram
```

After printing “Linux/PPC load: root=/dev/ram,” the ACS waits approximately 10 seconds for user input. This is where the user should type “<sp>single” (spacebar, then the word “single”). When the boot process is complete, the Linux prompt will appear on the console:

```
[root@(none) /]#
```

If the password or username was forgotten, execute the following commands:

```
# passwd
# saveconf
# reboot
```

For configuration problems, you have two options:

1. Edit the file(s) causing the problem with vi, then execute the commands:

```
[root@CAS root]# saveconf
[root@CAS root] # reboot
```

2. Reset the configuration by executing the following commands:

```
[root@CAS root]# defconf
```

The following warning message displays.

WARNING: this will erase all of your current configuration and restore the system's factory default configuration. This action is irreversible and the ACS must be rebooted to apply that.

Enter y or N at the following prompt.

```
Are you sure you wish to continue? (y/N)
```

If you entered 'y', type *reboot* at the following prompt.

```
[root@CAS root]# reboot
```

The system reboots and displays the following message.

```
Sep 27 19:39:09 src_dev_log@CAS reboot: The system is going down. Rebooted by root.
```

If the problem is due to an upgrade/downgrade, a second downgrade/upgrade will be necessary to reverse the process. First, the network must be initialized in order to reach a FTP server. Execute the following script, replacing the parameters with values appropriate for your system. The *gw* and *mask* parameters are optional.

```
[root@CAS root]# config_eth0 ip 200.200.200.1 mask 255.255.255.0 gw 200.200.200.5
```

Edit the file(s) causing the problem with *vi*, then execute the commands:

```
[root@CAS root]# saveconf
```

```
[root@CAS root]# reboot
```

At this point, the DNS configuration in the file */etc/resolv.conf* should be checked. Then download the kernel image using the *ftp* command.

Using a different speed for the Serial Console

The serial console is originally configured to work at 9600 bps. If you want to change that, it is necessary to change the configuration following the steps:

Step 1 - Run bootconf. The user will be presented with the screen:

```
Current configuration
MAC address assigned to Ethernet [00:60:2e:00:16:b9]
IP address assigned to Ethernet interface [192.168.160.10]
Watchdog timer ((A)ctive or (I)nactive) [A]
Firmware boot from ((F)lash or (N)etwork) [F]
Boot type ((B)ootp, (T)ftp or Bot(H)) [T]
Boot File Name [zvmppcts.bin]
Server's IP address [192.168.160.1]
Console speed [9600]
(P)erform or (S)kip Flash test [P]
(S)kip, (Q)uick or (F)ull RAM test [F]
Fast Ethernet ((A)uto Neg, (1)00 BtH, 100 Bt(F), 10 B(t)F, 10 Bt(H)) [A]
Fast Ethernet Maximum Interrupt Events [0]
Maximum rate of incoming bytes per second [0]:
```

Type <Enter> for all fields but the Console Speed. When presented the following line:

```
Do you confirm these changes in flash ( (Y)es, (N)o (Q)uit ) [N] :
```

Step 2 - Enter Y and the changes will be saved in flash.

Step 3 - Logout and login again to use the console at the new speed.

Setting the Maximum Number of Bytes Received by the Interface

You can avoid CPU overload due to too many bytes received by the interface at one time by setting a limit to the rate of bytes received. The bootconf utility offers a way of setting this limit. The default is set to 0, which disables the function. For optimum performance set the value to: 50000.

Just inform the maximum allowed rate of bytes to be received, or 0 disable completely the feature (all bytes will be processed at any rate). An optimum rate determined by Cyclades during the testing process was 50000. Notice that, though bigger values won't cause harm (will only make the system more sensible to storms), smaller values can cause the feature be triggered by the normal equipment traffic.

To set a limit of bytes received by the interface per second:

Step 1 - Run bootconf.

The following screen appears:

```
Current configuration
MAC address assigned to Ethernet [00:60:2e:00:16:b9]
IP address assigned to Ethernet interface
[192.168.160.10]
Watchdog timer ((A)ctive or (I)nactive) [A]
Firmware boot from ((F)lash or (N)etwork) [F]
Boot type ((B)ootp, (T)ftp or Bot(H)) [T]
Boot File Name [zvmppcts.bin]
Server's IP address [192.168.160.1]
Console speed [9600]
(P)erform or (S)kip Flash test [P]
(S)kip, (Q)uick or (F)ull RAM test [F]
Fast Ethernet ((A)uto Neg, (1)00 BtH, 100 Bt(F), 10
B(t)F, 10 Bt(H)) [A]
Fast Ethernet Maximum Interrupt Events [0]
Maximum rate of incoming bytes per second [0]
```

Step 2 - Press <Enter> for all fields but the Maximum rate of incoming bytes per second field.

Step 3 - Between the brackets following the Maximum rate of incoming bytes per second field, type the maximum amount of bytes that can be received by the interface per second.

A value of zero disables the feature. Enter a value of 50000 for optimum performance.

Note: Using larger values does not harm your system but makes it more sensible to storms. Using smaller values, however, can trigger this feature be triggered by the normal equipment traffic.

Step 4 - When presented the following line:

```
Do you confirm these changes in flash ( (Y)es, (N)o (Q)uit
) [N] :
```

Enter Y to save the changes in flash.

B.3 LEDs

CPU LEDs

Normally the CPU status LED should blink consistently one second on, one second off. If this is not the case, an error has been detected during the boot. The blink pattern can be interpreted via the following table:

Event	CPU LED Morse code
Normal Operation	S (short, short, short . . .)
Flash Memory Error - Code	L (long, long, long . . .)
Flash Memory Error - Configuration	S, L
Ethernet Error	S, S, L
No Interface Card Detected	S, S, S, L
Network Boot Error	S, S, S, S, L
Real-Time Clock Error	S, S, S, S, S, L

Table B.1: CPU LED Code Interpretation

NOTE: *The Ethernet error mentioned in the above table will occur automatically if the Fast Ethernet link is not connected to an external hub during the boot. If the Fast Ethernet is not being used or is connected later, this error can be ignored.*

Rear Panel LEDs

The ACS' rear panel has connectors (serial, console and Ethernet) with some LEDs that have the following functionality:

Ethernet Connector

- *Col (collision)* - Shows collision on the LAN every time the unit tries to transmit an Ethernet packet.
- *DT/LK (data transaction/link state)* - DT flashes when there's data transmitted to or received from the LAN. It's hardware-controlled. LK keeps steady if the LAN is active. The green LED is Data Transaction activity and the yellow one is Link state.
- *100* - If 100BT is detected the LED lights on. If 10BT is detected it turns off.

Console Connector

- *CP* - CPU activity. It flashes at roughly 1 second intervals.
- *P1* - Power supply #1 ON.
- *P2* - Power supply #2 ON.

Serial Connector

- *LK* - DTR. It's software-controlled.
- *DT* - Data transmitted to or received from the serial line. It's hardware-controlled.

Administration parameters in the CLI interface

Some of the procedures described above can be configured using the CLI interface. Below we will divide it into boot and administration configuration:

Boot configuration parameters:

To configure boot parameters access the menu:

```
cli>config administration bootconfig
```

Entering this menu you will be able to configure the following parameters:

- boottype - Chooses the network boot type. Valid values are: *tftp*, *bootp* or *both*.
- bootunit - Sets from where the unit will boot from. Valid values are: *flash* and *network*.
- consolespeed - To configure the console speed. Valid values are: *115200*, *57600*, *38400*, *19200*, *9600* and *4800*.
- ethernetip - Temporary IP address assigned to the Ethernet interface.
- ethernetmode - Fast Ethernet mode. Valid values for this field are: *auto*, *10F*, *10H*, *100H*, *100F*.
- filename - File name of the image placed in the tftp server.
- flashtest - Enables or disables the flash test. Valid values are: *full* and *skip*.
- maxevents - Maximum number of Ethernet events handled at once.
- ramtest - Chooses the type of ram test. Valid values are: *full*, *quick* and *skip*.
- tftpserver - Sets up the IP address of the tftpserver.
- wdt - To enable/disable wdt (watch dog timer).

Administration Menu:

Basically the administration section of the CLI interface is divided in 3 parts: Session Management, Backup Configuration and Firmware Upgrade that was already approached in this chapter; see “CLI Method - Firmware Upgrade” on page 363

Session Management: To manage sessions, access:

```
cli>administration sessions
```

This menu lets you do following:

- kill - To cancel a connection to the serial port <n>
- list - Lists the current sessions

Backup Configuration: It is possible to save/restore configurations to/from a FTP server. To configure it, access the menu:

```
cli>administration backupconfig
```

The following options can be set up:

- loadfrom - When loading configuration from a server it is necessary to specify: server IP address <serverip>; username <username>; password <password>; path <pathname>.
- saveto - The same parameters of the *loadfrom* command must be specified.

Example: The command below will load configuration from a server with IP address 192.168.0.1, username “john”, password “john1234” and the configuration file located at */home/configuration*.

```
backupconfig>loadfrom serverip 192.168.0.1 pathname /home/configuration  
username john password john1234
```

Appendix C

Cabling and Hardware

Information

This appendix will show all hardware specifications of the ACS . It will also show all cables and connectors characteristics.

C.1 General Hardware Specifications

The power consumption and heat dissipation, environmental conditions and physical specifications of the ACS are listed below.

Cyclades AlterPath ACS Products Power Consumption and Heat Dissipation				
	Input = 120Vac		Input = 230 Vac	
Model	Power (watts)	Heat Exchange (BTU/hr.)	Power (Watts)	Heat Exchange (BTU/hr.)
ACS1	12	41.0	17	58.1
ACS4	16	54.6	25	85.4
ACS8	18	61.5	28	95.6
ACS16	22	75.1	30	102.5
ACS32	24	81.0	32	109.3
ACS48	26	88.8	35	119.5

Table C.1: ACS Products Power Consumption and Heat Dissipation

Environmental Information						
	ACS1	ACS4	ACS8	ACS16	ACS32	ACS48
Operating Temperature	50F to 122F (10°C to 50°C)	50F to 112F (10°C to 44°C)	50F to 112F (10°C to 44°C)	50F to 112F (10°C to 44°C)	50F to 112F (10°C to 44°C)	50F to 112F (10°C to 44°C)
Relative Humidity	10 - 90%, non-condensing	10 - 90%, non-condensing	10 - 90%, non-condensing	10 - 90%, non-condensing	10 - 90%, non-condensing	10 - 90%, non-condensing

Table C.2: ACS environmental conditions

Physical Information						
	ACS1	ACS4	ACS8	ACS16	ACS32	ACS48
External Dimensions	2.76in.x 3.35in.x 1.18 in.	8,5in.x 4,75in. x1 in.	8.5 in.x 4.75 in.x 1 in.	17 in. x 8.5 in.x 1.75 in.	17 in.x 8.5 in.x 1.75 in.	17 in. x 8.5 in.x 1.75 in.
Weight	0.3 lb.	1.5 lb.	1.6 lb.	6 lb.	6.2 lb.	8 lb.

Table C.3: ACS physical information

Safety Information						
	ACS1	ACS4	ACS8	ACS16	ACS32	ACS48
Approvals	FCC and CE, Class A					

Table C.4: ACS Safety Information

The following section has all the information you need to quickly and successfully purchase or build cables to the ACS . It focuses on information related to the RS-232 interface, which applies not only to the ACS but also to any RS-232 cabling.

The RS-232 Standard

RS-232C, EIA RS-232, or simply RS-232 refer to a standard defined by the Electronic Industries Association in 1969 for serial communication. More than 30 years later, more applications have been found for this standard than its creators could have imagined. Almost all electronic devices nowadays have serial communication ports.

RS-232 was defined to connect Data Terminal Equipment, (DTE, usually a computer or terminal) to Data Communication Equipment (DCE, usually a modem):

DTE > RS-232 > DCE > communication line > DCE > RS-232 > DTE

RS-232 is now mostly being used to connect DTE devices directly (without modems or communication lines in between). While that was not the original intention, it is possible with some wiring tricks. The relevant signals (or wires) in a RS-232 cable, from the standpoint of the computer (DTE), are:

- *Receive Data (RxD) and Transmit Data (TxD)* - The actual data signals
- *Signal Ground (Gnd)* - Electrical reference for both ends
- *Data Terminal Ready (DTR)* - Indicates that the computer (DTE) is active
- *Data Set Ready (DSR)* - Indicates that the modem (DCE) is active.
- *Data Carrier Ready (DCD)* - Indicates that the connection over the communication line is active
- *CTS (Clear to Send, an input)* - Flow control for data flowing from DTE to DCE
- *RTS (Request to Send, an output)* - Flow control for data flowing from DCE to DTE

Not all signals are necessary for every application, so the RS-232 cable may not need all 7 wires. The RS-232 interface defines communication parameters such as parity, number of bits per character, number of stop-bits and the baud rate. Both sides must be configured with the same parameters. That is the first thing to verify if you think you have the correct cable and things still do not work. The most common configuration is 8N1 (8 bits of data per character, no parity bit included with the data, 1 stop-bit to indicate the end of a character). The baud rate in a RS-232 line translates directly into the data speed in bits per second (bps). Usual transmission speeds range between 9,600 bps and 19,200bps (used in most automation and console applications) to 115,200 bps (used by the fastest modems).

Cable Length

The original RS-232 specifications were defined to work at a maximum speed of 19,200 bps over distances up to 15 meters (or about 50 feet). That was 30 years ago. Today, RS-232 interfaces can drive signals faster and through longer cables. As a general rule, consider:

- If the speed is lower than 38.4 kbps, you are safe with any cable up to 30 meters (100 feet)

- If the speed is 38.4 kbps or higher, cables should be shorter than 10 meters (30 feet)
- If your application is outside the above limits (high speed, long distances), you will need better quality (low impedance, low-capacitance) cables.

Successful RS-232 data transmission depends on many variables that are specific to each environment. The general rules above are empirical and have a lot of safety margins built-in.

C.2 Connectors

The connector traditionally used with RS-232 is the 25-pin D-shaped connector (DB-25). Most analog modems and most older computers and serial equipment use this connector. The RS-232 interface on DB-25 connector always uses the same standard pin assignment.

The 9-pin D-shaped connector (DB-9) saves some space and is also used for RS-232. Most new PC COM ports and serial equipment (specially when compact size is important) uses this connector. RS-232 interfaces on DB-9 connectors always use the same standard pin assignment.

The telephone-type modular RJ-45 plug and jack are very compact, inexpensive and compatible with the phone and Ethernet wiring systems present in most buildings and data centers. Most networking equipment and new servers use RJ-45 connectors for serial communication. Unfortunately there is no standard RS-232 pin assignment for RJ-45 connectors. Every equipment vendor has its own pin assignment.

Most connectors have two versions. The ones with pins are said to be “male” and the ones with holes are said to be “female.”

RS-232 Signal	Name/Function (Input/Output)	DB-25 pins (Standard)	DB-9 pins (Standard)	RJ-45 pins (Cyclades)
Chassis	Safety Ground	1	Shell	Shell
TxD	Transmit Data (O)	2	3	3
RxD	Receive Data (I)	3	2	6
DTR	Data Terminal Ready (O)	20	4	2
DSR	Data Set Ready (I)	6	6	8
DCD	Data Carrier Detect (I)	8	1	7
RTS	Request To Send (O)	4	7	1
CTS	Clear To Send (I)	5	8	5
GnD	Signal Ground	7	5	4

Table C.5: Cables and their pin specifications

Straight-Through vs. Crossover Cables

The RS-232 interface was originally intended to connect a DTE (computer, printer and other serial devices) to a DCE (modem) using a straight-through cable (all signals on one side connecting to the corresponding signals on the other side one-to-one). By using some “cabling tricks,” we can use RS-232 to connect two DTEs as is the case in most modern applications.

A crossover (a.k.a. null-modem) cable is used to connect two DTEs directly, without modems or communication lines in between. The data signals between the two sides are transmitted and received and there are many variations on how the other control signals are wired. A “complete” crossover cable would connect TxD with RxD, DTR with DCD/DSR, and RTS with CTS on both sides. A “simplified” crossover cable would cross TxD and RxD and locally short-circuit DTR with DCD/DSR and RTS with CTS.

Which cable should be used?

First, look up the proper cable for your application in the table below. Next, purchase standard off-the-shelf cables from a computer store or cable vendor. For custom cables, refer to the cable diagrams to build your own cables or order them from Cyclades or a cable vendor.

To Connect To	Use Cable
DCE DB-25 Female (standard) <ul style="list-style-type: none">• Analog Modems• ISDN Terminal Adapters	Cable 1: RJ-45 to DB-25 M straight-through (Custom). This custom cable can be ordered from Cyclades or other cable vendors. A sample is included with the product (“straight-through”).
DTE RJ-45 Cyclades (custom) <ul style="list-style-type: none">• All Cyclades Console Ports	Cable 2: RJ-45 to RJ-45 crossover (custom). A sample is included with the product (“straight-through”) This custom cable can be ordered from Cyclades or other cable vendors using the provided wiring diagram.

Table C.6: Which cable to use

Cable Diagrams

Before using the following cable diagrams refer to the tables above to select the correct cable for your application. Sometimes, crossover cables are wired slightly differently depending on the application. A “complete” crossover cable would connect the TxD with RxD, DTR with DCD/DSR, and RTS with CTS across both sides. A “simplified” crossover cable would cross TxD and RxD and locally short-circuit DTR with DCD/DSR and RTS with CTS.

Most of the diagrams in this document show the “complete” version of the crossover cables, with support for modem control signals and hardware flow control. Applications that do not require such features have just to configure NO hardware flow control and NO DCD detection on their side. Both ends should have the same configuration for better use of the complete version of the cables.

NOTE: *These cables appear in Cable Package #1 and/or Cable Package #2. You may or may not find them in your box depending on which package you received.*

C.3 Cable Packages

Cable #1: Cyclades RJ-45 to DB-25 Male, straight-through

Application: This cable connects Cyclades products (serial ports) to modems and other DCE RS-232 devices. It is included in both Cable Package #1 and #2.

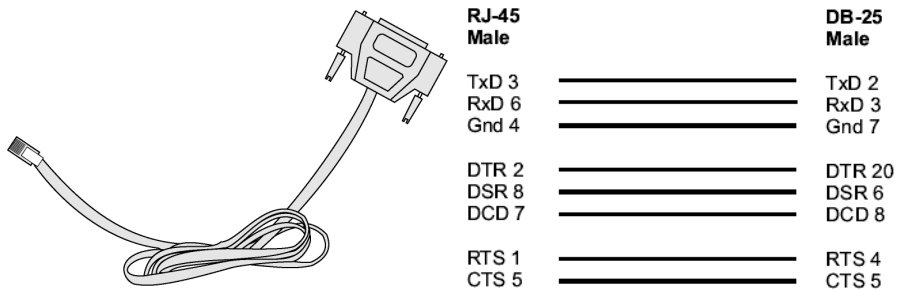


Figure C.7 - Cable 1 - Cyclades RJ-45 to DB-25 Male, straight-through

Cable #2: Cyclades RJ-45 to DB-25 Female/Male, crossover

This cable connects Cyclades products (serial ports) to console ports, terminals, printers and other DTE RS-232 devices. If you are using Cable Package #1, after connecting the appropriate adapter to the RJ-45 straight-through cable, you will essentially have the cable shown in this picture. If you are using Cable Package #2, no assembly is required. You will have the cable shown below.

Cable #3: Cyclades RJ-45 to DB-9 Female, crossover

This cable connects Cyclades products (serial ports) to console ports, terminals, printers and other DTE RS-232 devices. If you are using Cable Package #1, after connecting the appropriate adapter to the RJ-45 straight-through cable, you will essentially have the cable shown in this picture. If you are using Cable Package #2, no assembly is required. You will have the cable shown below.

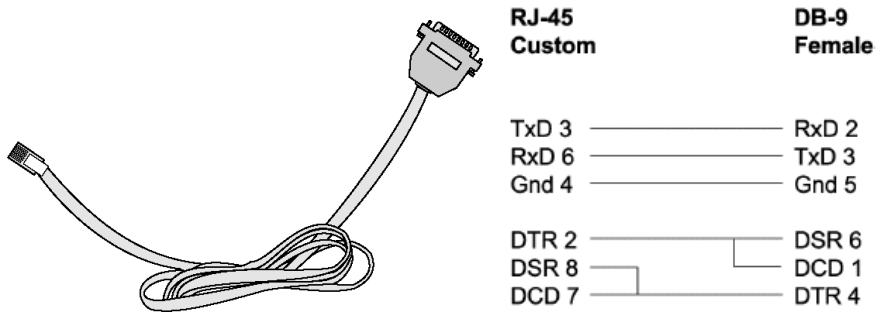


Figure C.8 - Cable 3 - Cyclades RJ-45 to DB-9 Female, crossover

Cable #4: Cyclades RJ-45 to Cyclades RJ-45, straight-through

This cable is the main cable that you will use. Along with one of the adapters provided (RJ-45 to DB-9 or RJ-45 to DB-25) you can create a crossover cable like the ones explained in Cable #2 or #3 for configuration or to connect to a server. This cable is only included in Cable Package. #1.

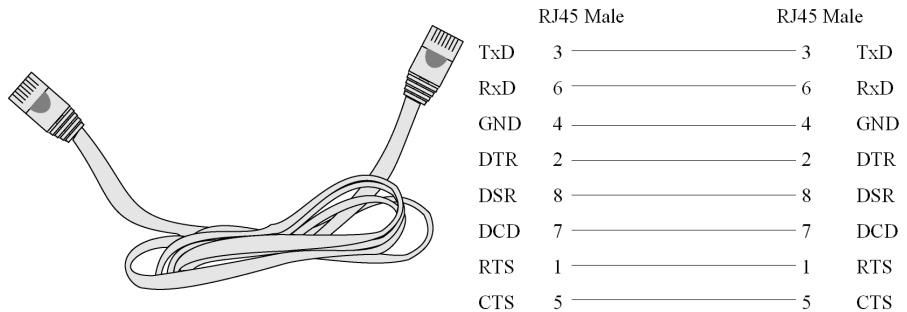


Figure C.9 - Cable 4 - Cyclades RJ-45 to Cyclades RJ-45, straight-through

Cable #5: Cyclades/Sun Netra Cable

This Adapter attaches to a Cat 3 or Cat 5 network cable. It is usually used in console management applications to connect Cyclades products to a Sun Netra server or to a Cisco product. This cable is included in Cable Package #2.

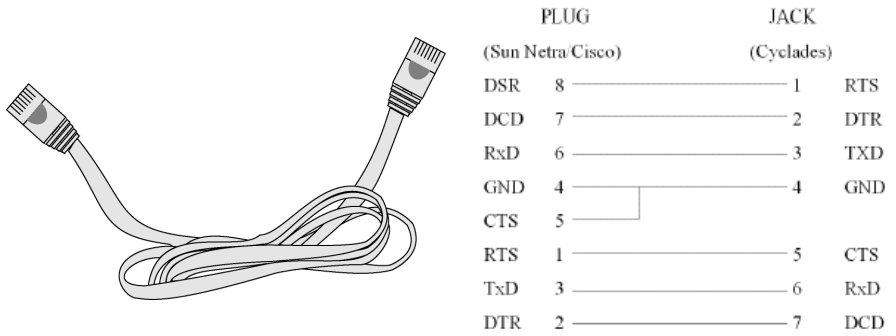


Figure C.10 - Cable 4 - Cyclades RJ-45 to Cyclades RJ-45, straight-through

Adapters

The following four adapters are included in the product box. A general diagram is provided below and then a detailed description is included for each adapter.

Loop-Back Connector for Hardware Test

The use of the following DB-25 connector is explained in the Troubleshooting chapter. It is included in both Cable Package #1 and #2.

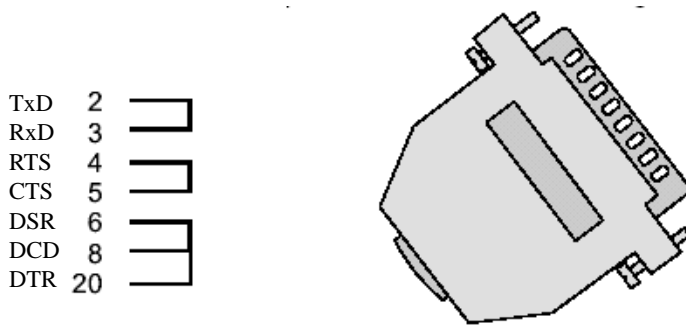


Figure C.11 - Loop-Back Connector

Cyclades\Sun Netra Adapter

This Adapter attaches to a Cat 3 or Cat 5 network cable. It is usually used in console management applications to connect Cyclades products to a Sun Netra server or to a Cisco product. At one end of the adapter is the black CAT.5e Inline Coupler box with a female RJ-45 terminus, from which a 3-inch-long black Sun Netra-labeled cord extends, terminating in an RJ-45 male connector. This adapter is included in Cable Package #2.

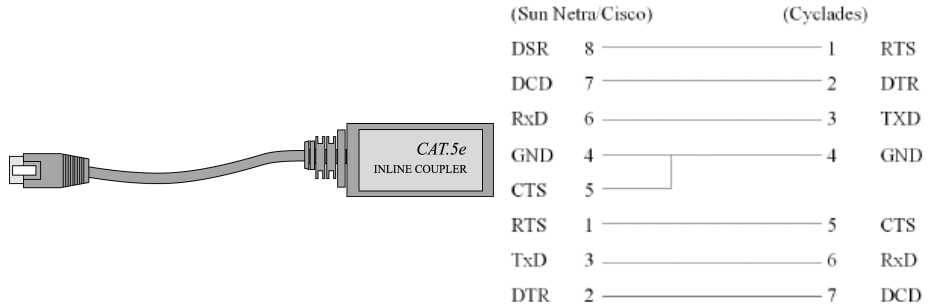


Figure C.12 - Cyclades\Sun Netra Adapter

RJ-45 Female to DB-25 Male Adapter

The following adapter may be necessary. It is included in Cable Package #1.

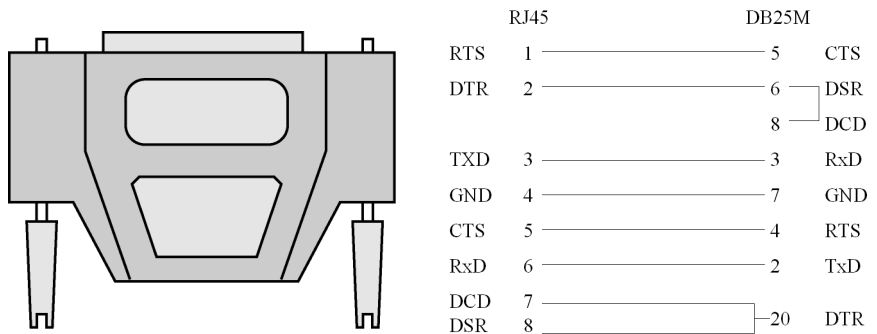


Figure C.13 - RJ-45 Female to DB-25 Male Adapter

RJ-45 Female to DB-25 Female Adapter

The following adapter may be necessary. It is included in Cable Package #1.

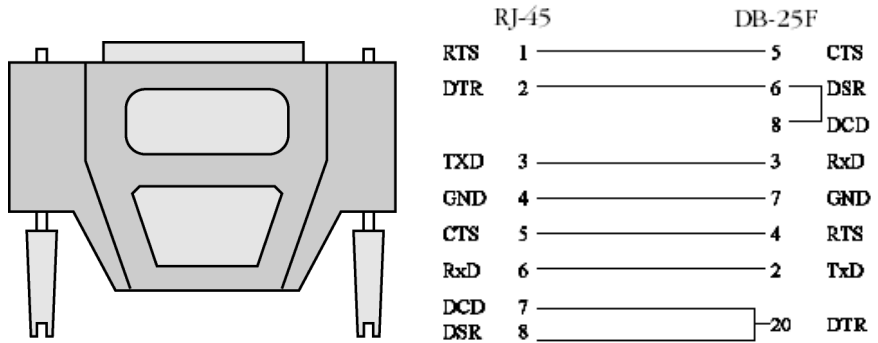


Figure C.14 - RJ-45 Female to DB-25 Female Adapter

RJ-45 Female to DB-9 Female Adapter

The following adapter may be necessary. This is included in Cable Package #1.

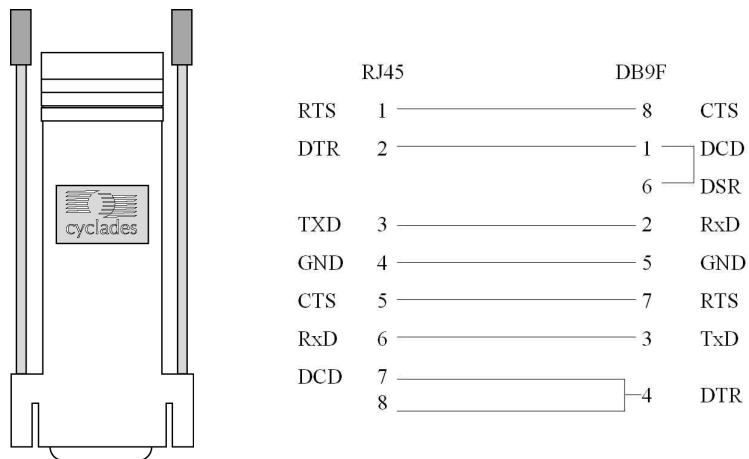


Figure C.15 - RJ-45 Female to DB-9 Female Adapter

C.4 ACS1-only Cabling Information

ACS1 Connectors

RS-485 Signal	Name/Function	Terminal Block pins
Chassis	Not in use	1
TXA-	Transmit Data - (A)	2
TXB+	Transmit Data + (B)	3
RXA-	Receive Data - (A)	4
RXB	Receive Data + (B)	5
Chassis	Not in use	6

Table C.16: RS-485 Pinout for the ACS1 - Connector pin assignment

ACS1-only Cabling Information

The RS-485 Standard

The RS-485 is another standard for serial communication and is available only in the ACS1. Different from the RS-232, the RS-485 uses fewer wires - either two wires (one twisted pair) for half duplex communication or four wires (two twisted pairs) for full duplex communication. Another RS-485 characteristic is the “termination.” In a network that uses the RS-485 standard, the equipment is connected one to the other in a cascade arrangement. A “termination” is required from the last equipment to set the end of this network.

ACS1 Connectors

Although the RS-485 can be provided in different kinds of connectors, the ACS1 uses a 9-pin D-shaped connector (DB-9) and a Terminal Block with the pin assignment described below.

Cable #1: Terminal Block to Terminal Block, crossover half duplex

Application: It connects the ACS1 (serial port) to DTE RS-485 devices with half duplex communication.

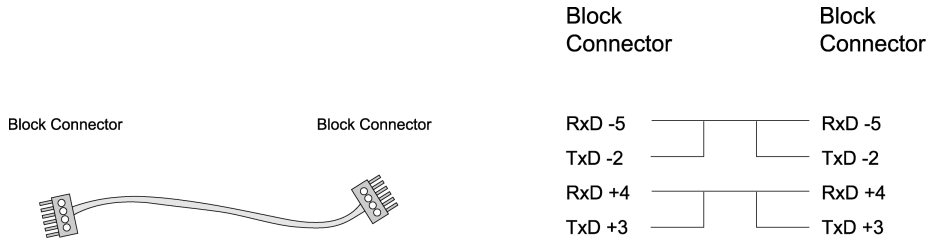


Figure C.17 - Cable 1 for the ACS1 - Terminal Block to Terminal Block, crossover half duplex

Cable #2: Terminal Block to Terminal Block, crossover full duplex

Application: It connects the ACS1(serial port) to DTE RS-485 devices with full duplex communication.

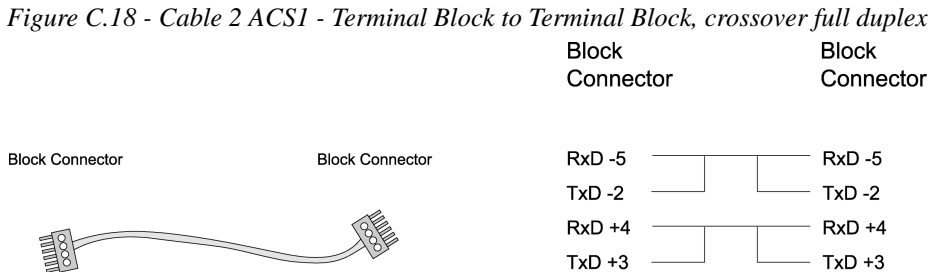
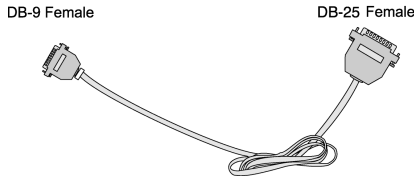


Figure C.18 - Cable 2 ACS1 - Terminal Block to Terminal Block, crossover full duplex

Cable #3: DB-9 Female to DB-25 Female, crossover This cable connects the ACS1 to console ports, terminals, printers and other DTE RS-232 devices. You will essentially have the cable shown in this picture:

Figure C.19 - Cable 3 for the ACS1 - DB-9 Female to DB-25 Female, crossover



DB-9 Female	—————	DB-25 Female
RxD 2	—————	2 TxD
TxD 3	—————	3 RxD
Gnd 5	—————	7 Gnd
DSR 6	—————	20 DTR
DCD 1	—————	
DTR 4	—————	6 DSR
	—————	8 DCD
RTS 7	—————	5 CTS
CTS 8	—————	4 RTS

This page has been left intentionally blank.

Appendix D

Copyrights

The Cyclades AlterPath ACS is based in the HardHat Linux distribution, developed by Montavista Software for embedded systems. Additionally, several other applications were incorporated into the product, in accordance with the free software philosophy.

The list below contains the packets and applications used in the Cyclades AlterPath ACS and a reference to their maintainers. The copyrights notices required in some packets are placed in the /COPYRIGHTS directory of the Cyclades AlterPath ACS .

Bash

Bourne Again Shell version 2.0.5a. Extracted from the HardHat Linux distribution.
<http://www.gnu.org/software/bash>

Bootparamd

NetKit Bootparamd version 0.17
<ftp://ftp.uk.linux.org/pub/linux/Networking/netkit>

Busybox

BusyBox version 1.0
<ftp://ftp.lineo.com/pub/busybox/>

Cron

Paul Vixie's cron version 3.0.1.
paul@vix.com

DHCPD

PhysTech DHCP Client Daemon version 1.3.20.p10.
<http://www.phystech.com/download/dhcpd.html>

Flex

Flex version 2.5.4
vern@ee.lbl.gov
COPYRIGHT: This product includes software developed by the University of California, Berkeley and its contributors

GNU

The GNU project
<http://www.gnu.org>

HardHat Linux

MontaVista Software - HardHat version 2.1
<http://www.montavista.com>

IPSec

The Linux Openswan IPsec version 2.3.0
<http://www.openswan.org>

IPtables

Netfilter IPtables version 1.2.2. Extracted from the HardHat Linux distribution.
<http://www.netfilter.org>

Linux Kernel

Linux Kernel version 2.2.17 2.4.18. Extracted from the HardHat Linux distribution
<http://www.kernel.org>

Net-SNMP

SourceForge Net-SNMP project version 5.2.1.2
<http://sourceforge.net/projects/net-snmp/>

NTP

NTP client
<http://doolittle.faludi.com/ntpclient/>

OpenSSH

OpenSSH version 4.1p1
<http://www.openssh.org>
COPYRIGHT: This product includes software developed by the University of California, Berkeley and its contributors.

OpenSSL

OpenSSL Project version 0.9.8

<http://www.openssl.org>

COPYRIGHT: This product includes software developed by the OpenSSL Project for use in the OpenSSL Toolkit. (<http://www.openssl.org/>)

COPYRIGHT: This product includes cryptographic software written by Eric Young (eay@cryptsoft.com)

PAM

Linux PAM version 0.75

<http://www.kernel.org/pub/linux/libs/pam/>

Portslave

SourceForge Portslave project version 2000.12.25. (modified). Includes pppd version 2.4.1 and rlogin version 8.10

<http://sourceforge.net/projects/portslave/>

RSYNC

rsync version 2.5.5

<http://rsync.samba.org/rsync/>

Syslog-ng

Syslog new generation version 1.5.17

<http://www.balabit.hu/products/syslog-ng/>

Tinylogin

TinyLogin version 0.80

<ftp://ftp.lineo.com/pub/tinylogin/>

UCD-SNMP

SourceForge Net-SNMP project version 5.2.1.2

<http://sourceforge.net/projects/net-snmp/>

WEBS

GoAhead WEBS version 2.1 (modified)

<http://goahead.com/webserver/webserver.htm>

Copyright (c) 20xx GoAhead Software, Inc. All Rights Reserved

ZLIB

zlib version 1.2.3

<http://www.gzip.org/zlib/>



Glossary

Authentication

Authentication is the process of identifying an individual, usually based on a username and password. In security systems, authentication is distinct from authorization, which is the process of giving individuals access to system objects based on their identity.

Authentication merely ensures that the individual is who he or she claims to be, but says nothing about the access rights of the individual. (Source: www.webopedia.com)

Break Signal

A break signal is generated in an RS-232 serial line by keeping the line in zero for longer than a character time. Breaks at a serial console port are interpreted by Sun servers as a signal to suspend operation and switch to monitor mode.

Console Access Server (CAS)

A CAS has an Ethernet LAN connection and many RS-232 serial ports. It connects to the console ports of servers and networking equipment and allows convenient and secure access from a single location.

Console Port

Most of the equipment in a data center (servers, routers, switches, UPS, PBX, etc.) has a serial console port for out-of-band management purposes.

Cluster

A cluster is a group of one or more computers working as a group to execute a certain task. From the user standpoint, a cluster acts as a large computer system.

Flash

Flash refers to a type of memory that can be erased and reprogrammed in units of memory known as blocks rather than one byte at a time; thus, making updating to memory easier.

In-band network management

In a computer network, when the management data is accessed using the same network that carries the data, this is called “in-band management.”

IP packet filtering

This is a set of facilities in network equipment that allows the filtering of data packets based on source/destination addresses, protocol, TCP port number and other parameters. Packet filtering is one of the main functions of a firewall.

KVM Switch (KVM)

Keyboard-Video-Mouse Switches connect to the KVM ports of many computers and allow the network manager to access them from a single KVM station.

Mainframe

Large, monolithic computer system.

MIBs

Management Information Bases. SNMP-compliant devices, called agents, store data about themselves in MIBs and return this data to the SNMP requesters.

Out-of-band network management

In a computer network, when the management data is accessed through a network that is independent of the network used to carry data, this is called “out-of-band network management.”

Off-line data buffering

This is a CAS feature that allows capture of console data even when there is no one connected to the port.

Profile

Usage setup of the ACS : either as a Console Access Server (CAS), a Terminal Server, or a Remote Access Server.

RADIUS

Protocol between an authentication server and an access server to authenticate users trying to connect to the network.

RISC

Reduced Instruction Set Computer. This describes a computer processor architecture that uses a reduced set of instructions (and achieves performance by executing those instructions very fast.) Most UNIX servers (Sun Sparc, HP, IBM RS6000, Compaq Alpha) were designed with a processor using a RISC architecture. The Intel ® x86 architecture.

RS-232

A set of standards for serial communication between electronic equipment defined by the Electronic Industries Association in 1969. Today, RS-232 is still widely used for low-speed data communication.

Secure Shell (SSH)

SSH has the same functionality as Telnet (see definition below), but adds security by encrypting data before sending it through the network.

Server Farm

A collection of servers running in the same location (see Cluster).

Shadow Password

Normally, each user's password is stored, encrypted, in the file /etc/passwd. This file must be readable by all users so that certain system functions will operate correctly. This means that copies of user's encrypted passwords are easily obtained, making it possible to run an automated password-guessing program against them. Shadow passwords, on the other hand, store the encrypted passwords in a separate highly-protected file, making it much more difficult to crack passwords.

SNMP

Short for Simple Network Management Protocol, a set of protocols for managing complex networks. The first versions of SNMP were developed in the early 80s. SNMP works by sending messages, called protocol data units (PDUs), to different parts of a network. SNMP-compliant devices, called agents, store data about themselves in Management Information Bases (MIBs) and return this data to the SNMP requesters. (Source: Webopedia)

Telnet

Telnet is the standard set of protocols for terminal emulation between computers over a TCP/IP connection. It is a terminal emulation program for TCP/IP networks such as the Internet. The Telnet program runs on your computer and connects your PC to a server on the network. You can then enter commands through the Telnet program and they will be executed as if you were entering them directly on the server console. This enables you to control the server and communicate with other servers on the network. To start a Telnet session, you must log in to a server by entering a valid username and password. Telnet is a common way to remotely control Web servers. (from webopedia.com)

Terminal Server

A terminal server has one Ethernet LAN port and many RS-232 serial ports. It is used to connect many terminals to the network. Because they have the same physical interfaces, terminal servers are sometimes used as console access servers.

TTY

The UNIX name for the COM (Microsoft) port.

U Rack height unit

A standard computer rack has an internal width of 17 inches. Rack space on a standard rack is measured in units of height (U). One U is 1.75 inches. A device that has a height of 3.5 inches takes 2U of rack space.

X.509

A widely used standard for defining digital certificates. X.509 is an ITU recommendation, which means that it has not yet been officially defined or approved for standardized usage. As a result, companies have implemented the standard in different ways. For example, both Netscape and Microsoft use X.509 certificates to implement SSL in their Web servers and browsers. But an X.509 Certificate generated by Netscape may not be readable by Microsoft products, and vice versa.

List of Tables

1. CLI Keywords	7
2. Data buffering parameters in <code>/etc/portslave/pslave.conf</code> file	30
3. Master configuration (where it differs from the CAS standard)	39
4. Slave 1 configuration (where it differs from the CAS standard)	41
5. Slave 2 configuration (where it differs from the CAS standard)	41
6. Abbreviation List	43
7. Authentication parameters in <code>/etc/portslave/pslave.conf</code>	54
8. Authentication Servers and File Path	56
9. NIS client requirements	60
10. <code>/etc/pam.d/</code> tokens description	83
11. <code>/etc/pam.d/</code> keywords description	84
12. Available PAM modules in the ACS	85
13. List of valid arguments to PAM	88
14. Required information for the OpenSSL package	91
15. DHCP related files and commands	105
16. Actions and options for the <code>route</code> command	107
17. <code>iptables</code> commands options	123
18. <code>iptables</code> rules specifications	124
19. TCP extensions	127
20. UDP extensions	128
21. ICMP extensions	128
22. Multiport extensions	128
23. LOG extensions	129
24. LOG extension	130
25. SNAT target	130

26. DNAT target	131
27. Masquerade target	131
28. Redirect target	132
29. VPN parameters	149
30. “Global Options” parameters (Syslog-ng configuration)	162
31. “Source Drivers” parameters (Syslog-ng configuration)	163
32. “Filters” parameters (Syslog-ng configuration)	165
33. “Destination Drivers” parameters (Syslog-ng configuration)	168
34. ACS Syslog Messages Format	178
35. pslave.conf parameters for Terminal Appearance configuration	189
36. <i>/etc/daemon.d/ntpclient.conf</i> parameters	199
37. Menu Options for PM Utility	225
38. Power Management Individual IPDUs Menu	227
39. Menu Options for Multi-Outlet Control PM Utility	229
40. AlterPath PM regular user menu options	233
41. CDMA configuration parameters	267
42. <i>/etc/portslave/pslave.conf</i> common parameters	290
43. CAS specific parameters for the <i>pslave.conf</i>	299
44. TS specific parameters for the <i>pslave.conf</i> file	309
45. Dial-in specific parameters for the <i>pslave.conf</i>	311
46. Bidirectional Telnet specific parameters for <i>pslave.conf</i>	313
47. machine info tag	325
48. Elements in the <channel-switch> tag	326
49. <BP> tags description	329
50. <i>f_windows_boot</i> macros	330
51. <i>f_windows_boot</i> available macros	331
52. Server Commands	333
53. vi modes	352
54. vi navigation commands	352

55. vi file modification commands	353
56. vi line mode commands	353
57. Process Table	357
58. CPU LED Code Interpretation	372
59. ACS Products Power Consumption and Heat Dissipation	375
60. ACS environmental conditions	376
61. ACS physical information	376
62. ACS Safety Information	376
63. Cables and their pin specifications	379
64. Which cable to use	380
65. RS-485 Pinout for the ACS1 - Connector pin assignment	387

List of Figures

1. An example using the Clustering feature	38
2. Data flow diagram of Linux-PAM	82
3. Example of Centralized Management	191
4. Configuration diagram	218
5. Console Access Server diagram	316
6. CAS diagram with various authentication methods	317
7. Terminal Server diagram	319
8. Ports configured for dial-in access.	320
9. Initial Test	367
10. Second screen, showing changed positions.	367
11. Cable 1 - Cyclades RJ-45 to DB-25 Male, straight-through	382
12. Cable 3 - Cyclades RJ-45 to DB-9 Female, crossover	383
13. Cable 4 - Cyclades RJ-45 to Cyclades RJ-45, straight-through	383
14. Cable 4 - Cyclades RJ-45 to Cyclades RJ-45, straight-through	384
15. Loop-Back Connector	384
16. Cyclades\Sun Netra Adapter	385
17. RJ-45 Female to DB-25 Male Adapter	385
18. RJ-45 Female to DB-25 Female Adapter	386
19. RJ-45 Female to DB-9 Female Adapter	386
20. Cable 1 for the ACS1 - Terminal Block to Terminal Block, crossover half duplex.	388
21. Cable 2 ACS1 - Terminal Block to Terminal Block, crossover full duplex	388
22. Cable 3 for the ACS1 - DB-9 Female to DB-25 Female, crossover . . .	389

